

Maker SBU-Digital Signage BU

Product Roadmap

创新应用智慧端口器件的领导者和场景解决方案的领先者

DS BU-Indoor Digital Signage

MP

Dev.

10.1~27

32~55

65~110

FHD

18.5" HD
250/500nit MDL

27" FHD *Q1/2020 MP*
500nit MDL

21.5" FHD
250/500nit MDL

32" FHD
400nit MDL

49" FHD
400nit MDL

43" FHD
400nit MDL

55" FHD
400nit MDL

UHD

43" UHD
PD OC & 500nit MDL

49" UHD
PD OC

65" UHD
PD OC & 500nit MDL

98" UHD *Q2/2020 MP*
500nit MDL

55" UHD
PD OC & 800nit MDL

75" UHD
PD OC & 500nit MDL

110" UHD *Q2/2020 MP*
OC

8K

65" 8K *Q3/2020 MP*
PD OC

75" 8K *Q3/2020 MP*
PD OC

110" 8K *Q2/2020 MP*
OC

DS BU-Outdoor Digital Signage(High Tni:-40~105℃)

BOE

MP

Dev.

10.1~27

32~55

65~110

FHD

15" XGA
350nit, Haze 25%, OP -20~85 °C

21.5" FHD Q2/2020 MP
350nit, Haze 25%, OP -20~85 °C

27" FHD Q3/2020 MP
500nit, Haze 25%, OP -20~85 °C

32" FHD Q1/2020 MP
OC, Haze 1%, OP -20~70 °C

43" FHD
OC, Haze 1%, OP -20~70 °C

55" FHD Q1/2020 MP
OC, Haze 25%, OP -30~80 °C

UHD

65" UHD Q2/2020 MP
OC, Haze 1%, OP -30~80 °C

75" UHD Q2/2020 MP
OC, Haze 1%, OP -30~80 °C

DS BU-Bar Display (By photo mask)

MP

Dev.



Application

Supermarket

Special length

Rail traffic

Bus, Subway, Airport

Media

Double screen display

2019Y

2020YQ1

2020YQ2

2020YQ3

19/24" 1920*360,300nit MDL

21" 1920*132,300nit MDL

28/29/36.6", 700nit MDL

47.1"3840*160,500nit MDL

48"3840*720,1000nit MDL

35"2880*160,500nit MDL

37"1920*540,700nit MDL

43.1"1920*360,700nit MDL

DS BU-Gaming Product

MP

Dev.

2019Y

2020Y Q1

2020Y Q2

2020Y Q3



18.5"



17"

17" WXGA
250nit ,Haze 25%

21.5" FHD
250nit ,Haze 25%

23.8" FHD
250nit ,Haze 25%

27" UHD
250nit ,Haze 25%

15" XGA
350nit ,Haze 25%

16" FHD
220nit ,Haze 25%

32" HD/FHD/QHD
OC

43" FHD/UHD
OC

55" FHD/UHD
OC



55"



43"



32"

Attachment-General Spec.(Indoor)

MP

Dev.

ITEM	18.5HD MDL	21.5FHD MDL	27FHD MDL	32FHD MDL	43FHD MDL	43UHD PD OC
AA Size[mm]	409.8*230.4	476.1*267.8	597.9*336.3	698.4* 392.85	940.9*529.3	940.9*529.3
Bezel Width[mm] (L/R/U/D)	8.5/8.5/10.3/10.3	7.9/7.9/10.5/10.5	4.8/4.8/4.8/10.7	7.1/7.1/7.1/11.6	8.9/8.9/8.9/8.9	-
Pol. Haze	Haze 25%	Haze 1%	Haze 25%	Haze 1%	Haze 1%	Haze 25%
Brightness[nits]	250/500	250/500	300/500	400	400	-
BLU type & lifetime	E-LED,30,000hrs	←	←	←	←	-
ITEM	43UHD MDL	49FHD MDL	49UHD OC	55FHD MDL	55UHD PD OC	55UHD MDL
AA Size[mm]	940.9*529.3	1073.8* 604	1073.8* 604	1209.6*680.4	1209.6*680.4	1209.6*680.4
Bezel Width[mm] (L/R/U/D)	8.9/8.9/8.9/8.9	5.9/5.9/5.9/5.9	-	6.9/6.9/6.9/13.0	-	8.9/8.9/8.9/8.9
Pol. Haze	Haze 1%	Haze 1%	Haze 25%	Haze 1%	Haze 25%	Haze 1%
Brightness[nits]	500	400	-	400	-	800
BLU type & lifetime	E-LED,50,000hrs	E-LED,30,000hrs	-	E-LED,30,000hrs	-	E-LED,50,000hrs

Attachment-General Spec.(Indoor)

MP

Dev.

ITEM	65UHD PD OC	65UHD MDL	75UHD PD OC	75UHD MDL	86UHD PD OC	98UHD MDL
AA Size[mm]	1428.48*803.52	1428.48*803.52	1649.66*927.94	1649.66*927.94	1895.04*1065.96	2158.85*1214.35
Bezel Width[mm] (L/R/U/D)	-	9.9/9.9/9.9/9.9	-	14.9/14.9/14.9/14.9	-	12.9/12.9/12.9/12.9
Pol. Haze	Haze 25%	←	Haze 25%	Haze 1%	Haze 25%	Haze 25%
Brightness[nits]	-	500	-	500	-	500
BLU type & lifetime	-	D-LED,50,000hrs	-	D-LED,30,000hrs	-	D-LED,50,000hrs
ITEM	110UHD OC	110 8K OC				
AA Size[mm]	2436.48*1370.52	2436.48*1370.52				
Bezel Width[mm] (L/R/U/D)	-	-				
Pol. Haze	Haze 1%	Haze 1%				
Brightness[nits]	-	-				
BLU type & lifetime	-	-				

Attachment-General Spec.(Outdoor)

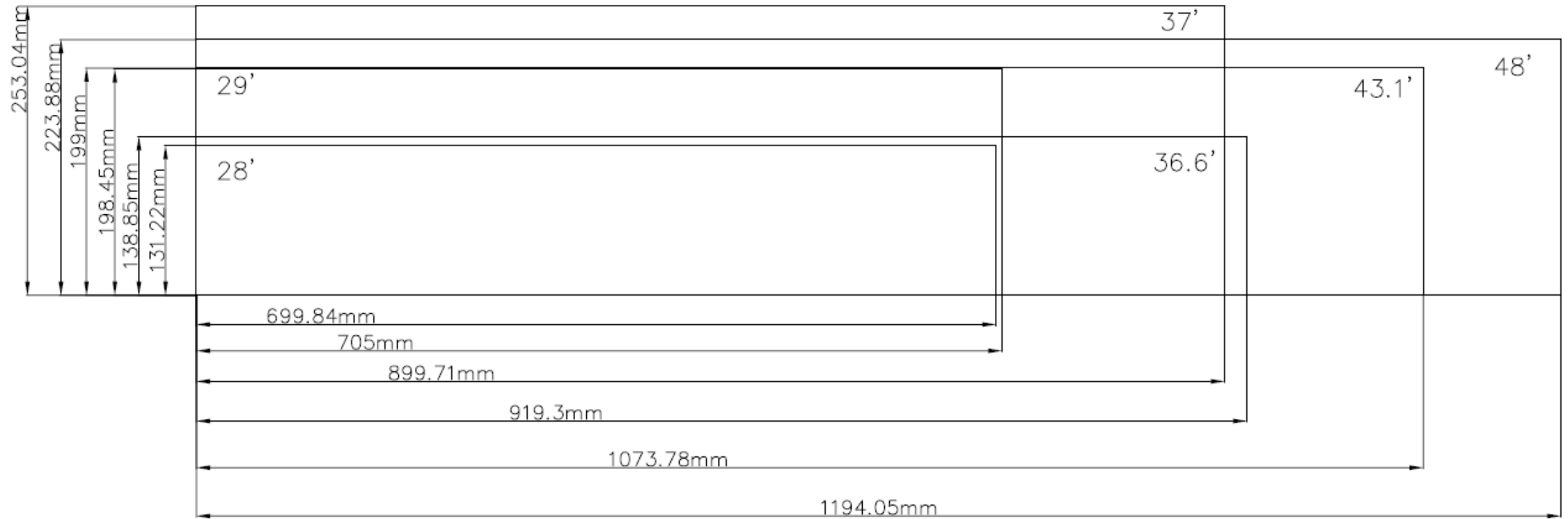
MP

Dev.

ITEM	15XGA MDL	21.5FHD MDL	27FHD MDL	32FHD OC	43FHD OC	55FHD OC
AA Size[mm]	340.13*228.1	476.1*267.8	597.9*336.3	698.4* 392.85	940.9*529.3	1209.6*680.4
Operating temperature(°C)	-20~85	-20~85	-20~85	-20~70	-20~70	-30~80
liquid crystal Temp.	-40~105	-40~105	-40~105	-40~105	-40~105	-40~105
Pol. Haze	Haze 25%	Haze 25%	Haze 25%	Haze 1%	Haze 1%	Haze 25%
Brightness[nits]	350	350	500	-	-	-
ITEM	65UHD OC	75UHD OC				
AA Size[mm]	1428.48*803.52	1649.66*927.94				
Operating temperature(°C)	-30~80	-30~80				
liquid crystal Temp.	-40~105	-40~105				
Pol. Haze	Haze 1%	Haze 1%				
Brightness[nits]	-	-				

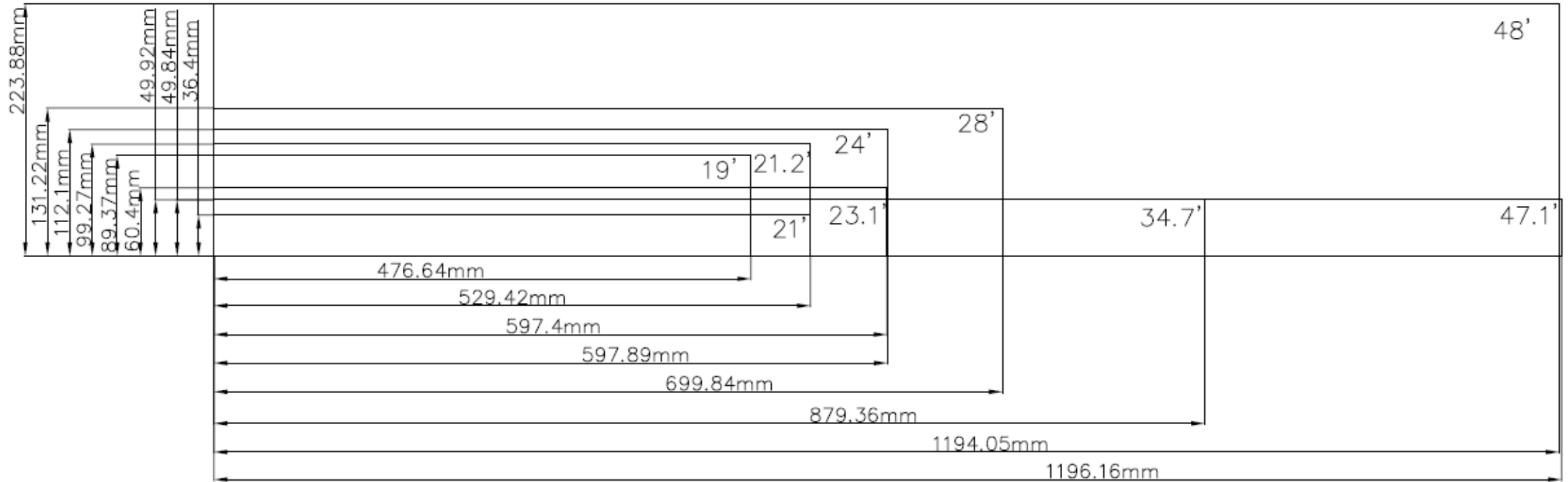
Attachment-Bar Display (By photo mask)

◆ Rail traffic



Attachment-Bar Display (By photo mask)

◆ Supermarket



Attachment-General Spec.(Gaming)

MP

Dev.

ITEM	15XGA MDL	16FHD MDL	17WXGA MDL	21.5FHD MDL	23.8FHD MDL	27UHD MDL
AA Size[mm]	304.1*228.1	349.6*196.7	345.4*259.1	476.1*267.8	527.04*296.46	597.7*335.7
Bezel Width[mm] (L/R/U/D)	11.7/11.7/10/10	3.25/3.25/3.25/8.94	6.0/6.0/12/12	5.0/5.0/5.0/11.0	6.4/6.4/6.4/11.4	9.9/9.9/9.9/9.9
Pol. Haze	Haze 25%	Haze 25%	Haze 25%	Haze 25%	Haze 25%	Haze 25%
Brightness[nits]	350	220	250	250	250	250
BLU type & lifetime	E-LED,50,000hrs	E-LED,15,000hrs	E-LED,30,000hrs	E-LED,30,000hrs	E-LED,30,000hrs	E-LED,30,000hrs
ITEM	32HD OC	32FHD OC	32QHD OC	43FHD/UHD OC	55FHD/UHD OC	
AA Size[mm]	697.7*392.3	698.4*392.9	698.1*392.7	940.9*529.3	1209.6*680.4	
Bezel Width[mm] (L/R/U/D)	-	-	-	-	-	
Pol. Haze	Haze 1%	Haze 1%	Haze 25%	Haze 1%	Haze 1%	
Brightness[nits]	-	-	-	-	-	
BLU type & lifetime	-	-	-	-	-	

THANK YOU

