



倍仕得电气科技(杭州)股份有限公司  
**BEISIT ELECTRIC TECH (HANGZHOU) CO., LTD**

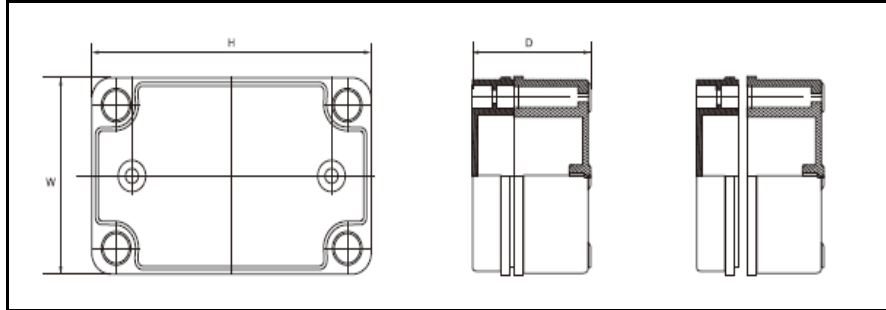
1, Tangmei RD., Yuhang Economic-Technological Development Area, Hangzhou, Zhejiang 311100, China

TEL: 86-571-8936 2888 FAX: 86-571-8936 2999

## PRODUCT SPECIFICATION

**PRODUCT NAME:** ABS Waterproof Enclosure  
**ITEM NO.:** 01 - 16  
**MATERIAL:** ABS  
**WORKING TEMP.:** -40 °C to +80 °C  
**PROTECTION DEGREE:** IP67

**DRAWING:**



**Datasheet:**

ITEM NO.	W x H x D (mm)	Weight(g)	Temperature Range	Thickness(mm)	Impact strength
01 - 16	100x58x50mm	110	-40 °C - +80 °C	3	IK07

- APPLICATION FIELD:**
1. Electric Power Set
  2. Roll Transit (Railway of High Speed)
  3. Wind Energy, Solar Energy
  4. Safety Protection
  5. Outdoor Lighting
  6. Oil and Gas Field
  7. Heavy Duty Connectors
  8. Lathe Equipments

