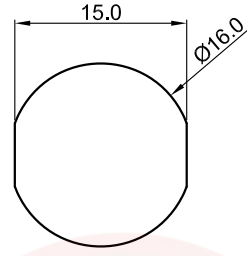


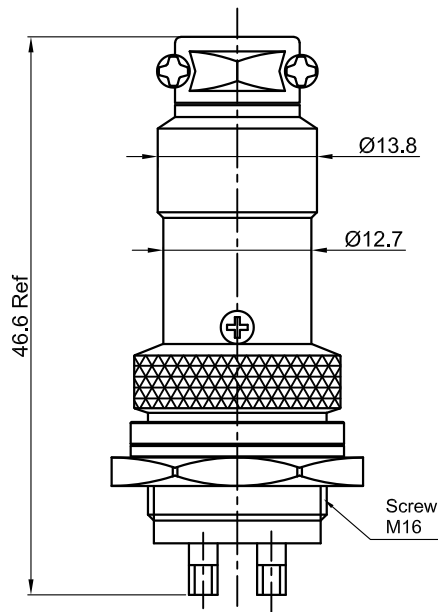
此图提供的信息来自宁波晨翔电子有限公司并且是保密的。禁止向收件人以外的任何一方披露信息。本文包含的知识、专利、版权、商业秘密和技术知识) 仅由晨翔或其附属公司拥有。未经晨翔事先书面同意, 严禁未经授权的复制或修改。此处提供的知识、专利、版权、商业秘密和技术知识, 不构成任何形式或方式使用其授
 权。晨翔可以自行决定强制执行其知识产权; 不履行或延迟行使这些权利并不构成对这些权利的放弃。

1 2 3 4 5 6 7 8

REV.	DESCRIPTION	DRAWN	CHECKED	APPROVED
A	NEW RELEASE	LJH 05/09/05'		
B	DRAWING UPDATE	JLZ 11/10/18'		
C	DRAWING UPDATE	JLZ 12/25/23'		



Panel Hole layout

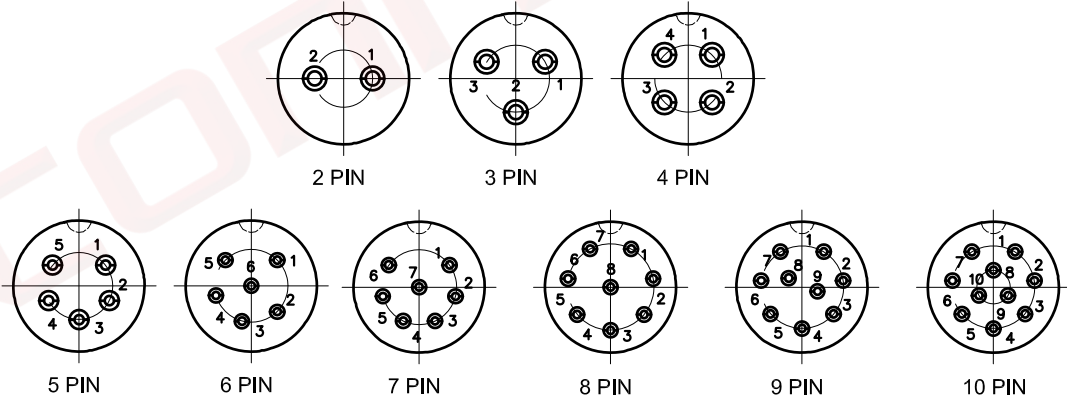
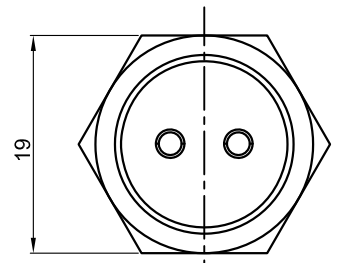


(Series Image-Reference Only)

Notes:
 Specifications:
 1. Contact Resistance: 5mΩ Max.
 2. Insulation Resistance: 500MΩ Min.
 3. Dielectric Withstanding Voltage: 1000V AC(rms) For 1 Minute.
 4. Current Rating:5-15A.
 5. Temperature: -40°C~+105°C.

Materials:
 1. Contact Material: Copper Alloy.
 2. Contact Plating: Silver Plating Over Nickel.
 3. Insulator Material: Plastic,Black or White.

Product Number Code:
 DS1110 - X X X
 Contact plating
 6: Silver
 Color of housing
 W: White
 B: Black
 No. of contacts
 2 3 4 5 6
 7 8 9 10



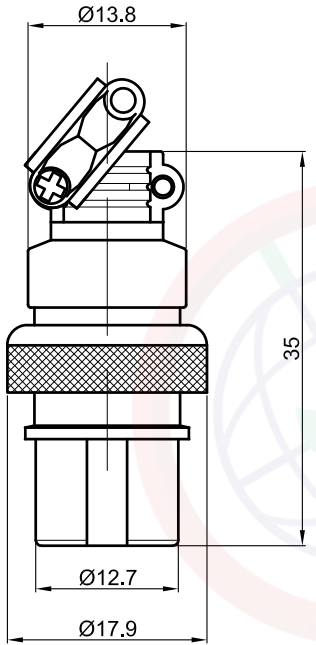
GENERAL TOLERANCE		ANGLE TOLERANCE		PROJECTION	TITLE
X.	±0.60	X.	±5°		M16 Micro Jack Connector
.X	±0.38	.X	±3°	mm	
.XX	±0.25	.XX	±2°	A4	SERIES DS1110 SERIES
DRAWING TYPE		CUSTOMER		晨翔电子有限公司 CONNFLY CONNFLY ELECTRONIC CO. LTD	
SCALE		1:1			
DRAWING NO.		C-DS1110-XXX-C			

1 2 3 4 5 6 7 8

Dept	
Qty	
DC	1
ED	1
IE	1
ISO	1
PD	1
R&D	1
SD	1
QA	1
QC	1
QE	1

此文件包含的知识、专利、版权、商业秘密，但仅限于商標、专利、版权、商业秘密，商业用途，未经许可，不得复制或传播。此文件包含的知识、专利、版权、商业秘密，但仅限于商標、专利、版权、商业秘密，商业用途，未经许可，不得复制或传播。

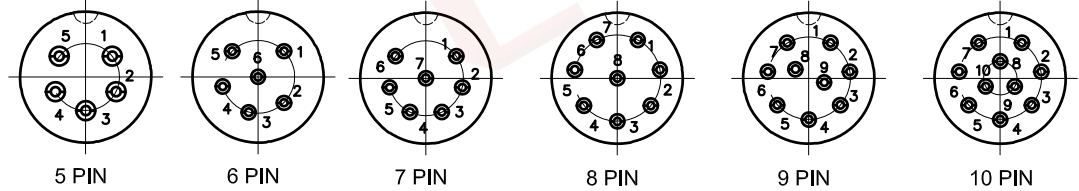
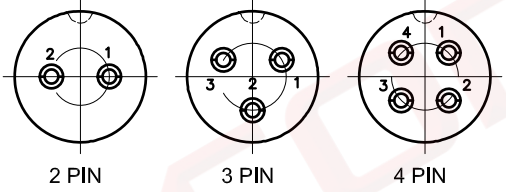
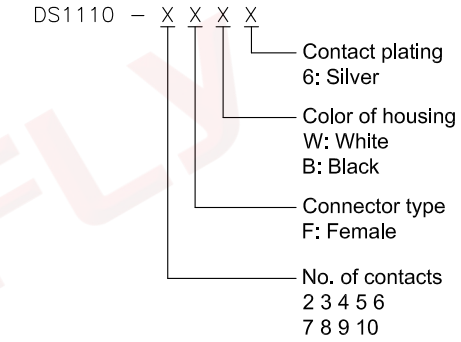
REV.	DESCRIPTION	DRAWN	CHECKED	APPROVED
A	NEW RELEASE	LJH 05/09/05'		
B	DRAWING UPDATE	JLZ 11/10/18'		
C	DRAWING UPDATE	JLZ 12/25/23'		



- Notes:
- Specifications:
- Contact Resistance: 5mΩ Max.
 - Insulation Resistance: 500MΩ Min.
 - Dielectric Withstanding Voltage: 1000V AC(rms) For 1 Minute.
 - Current Rating: 5-15A.
 - Temperature: -40°C~+105°C.

- Materials:
- Contact Material: Copper Alloy.
 - Contact Plating: Silver Plating Over Nickel.
 - Insulator Material: Plastic, Black or White.

Product Number Code:



GENERAL TOLERANCE		ANGLE TOLERANCE	
X.	±0.60	X.	±5°
.X	±0.38	.X	±3°
.XX	±0.25	.XX	±2°

PROJECTION		TITLE	M16 Micro Jack Connector
UNITS	mm	SHEET	2 OF 3
SHEET SIZE	A4	SERIES	DS1110 SERIES

DRAWING TYPE	CUSTOMER
SCALE	1:1
DRAWING NO.	C-DS1110-XXXX-C

晨翔电子有限公司
CONNFLY CONNFLY ELECTRONIC CO. LTD

