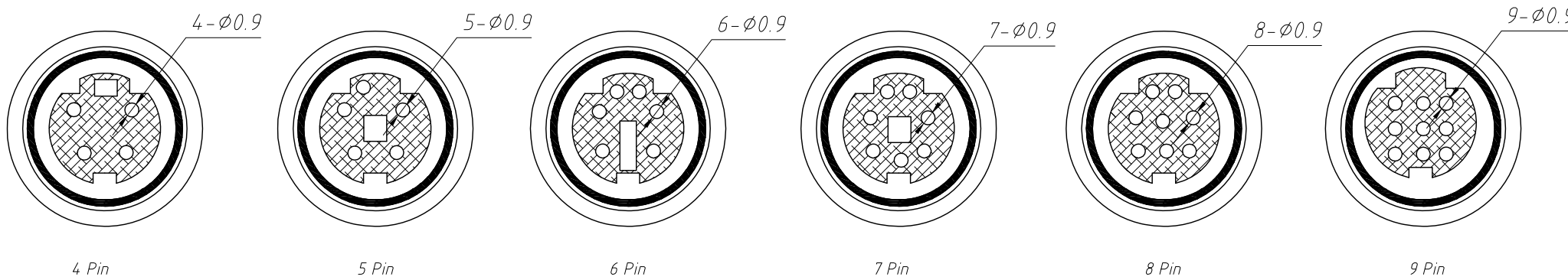
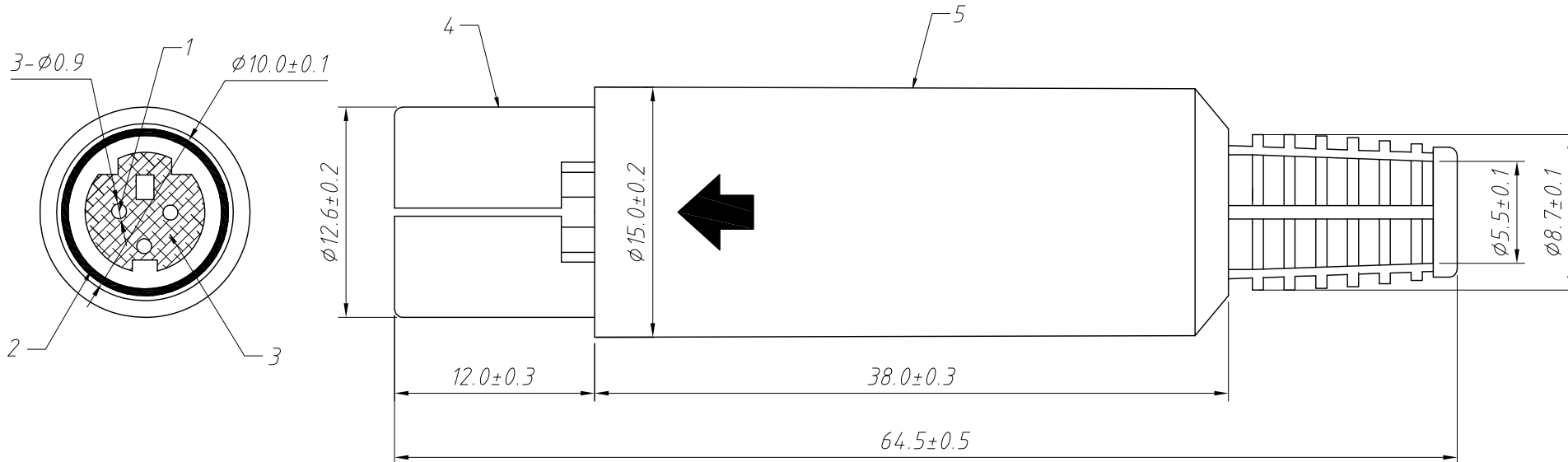


1 RoHS Compliance



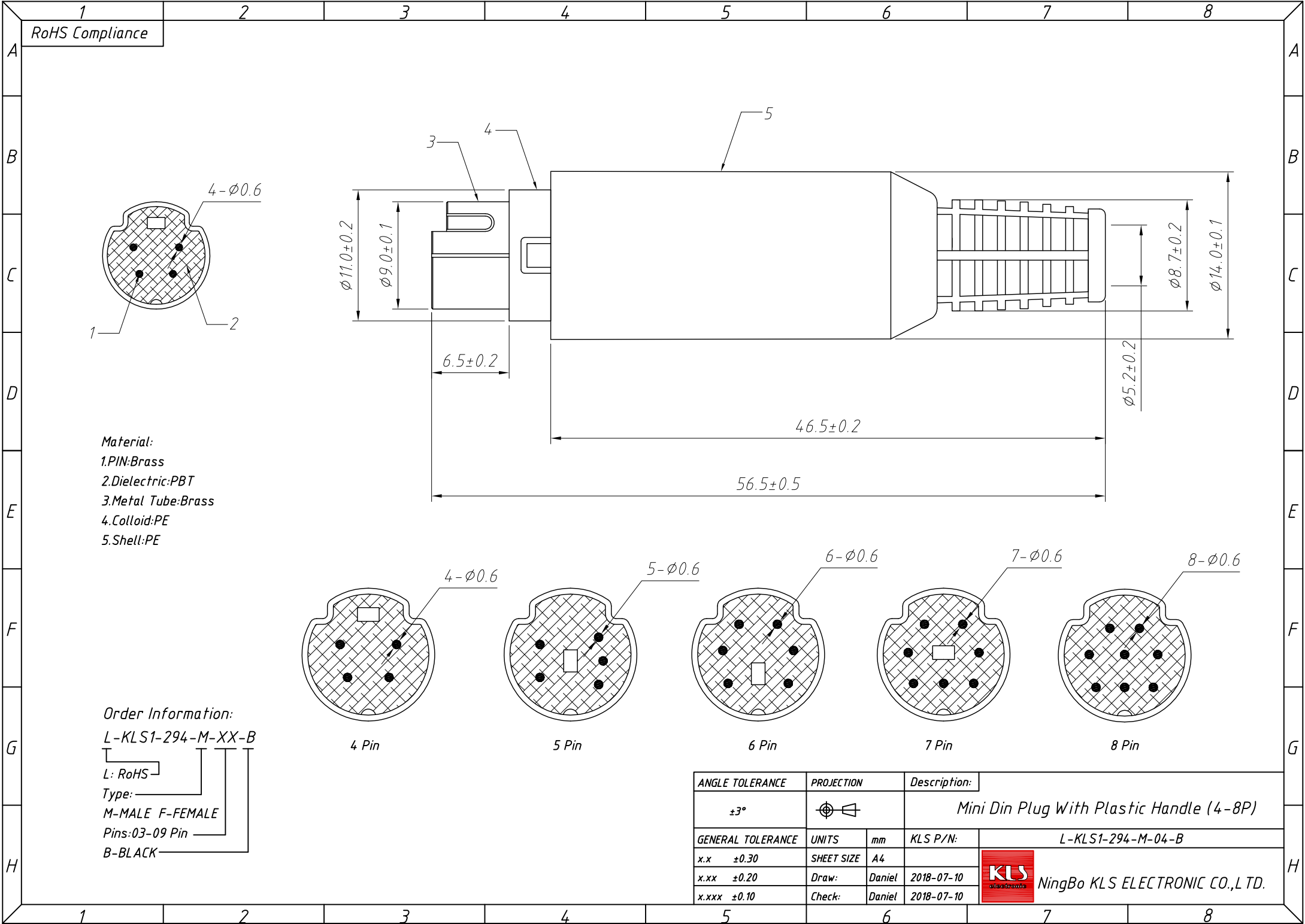
Material:
 1.PIN:Brass
 2.Metal Tube:Brass
 3.Dielectric:PBT
 4.Plastic Handle:ABS
 5.Back Suite:ABS

Order Information:
 L-KLS1-294-F-XX-B
 L: RoHS
 Type: M-MALE F-FEMALE
 Pins:03-09 Pin
 B-BLACK

ANGLE TOLERANCE	PROJECTION	Description:	
±3°		Mini Din Plug With Plastic Handle (3-9P)	
GENERAL TOLERANCE	UNITS	mm	KLS P/N:
x.x ±0.30	SHEET SIZE	A4	L-KLS1-294-F-XX-B
x.xx ±0.20	Draw:	Daniel	2018-07-10
x.xxx ±0.10	Check:	Daniel	2018-07-10



1
RoHS Compliance



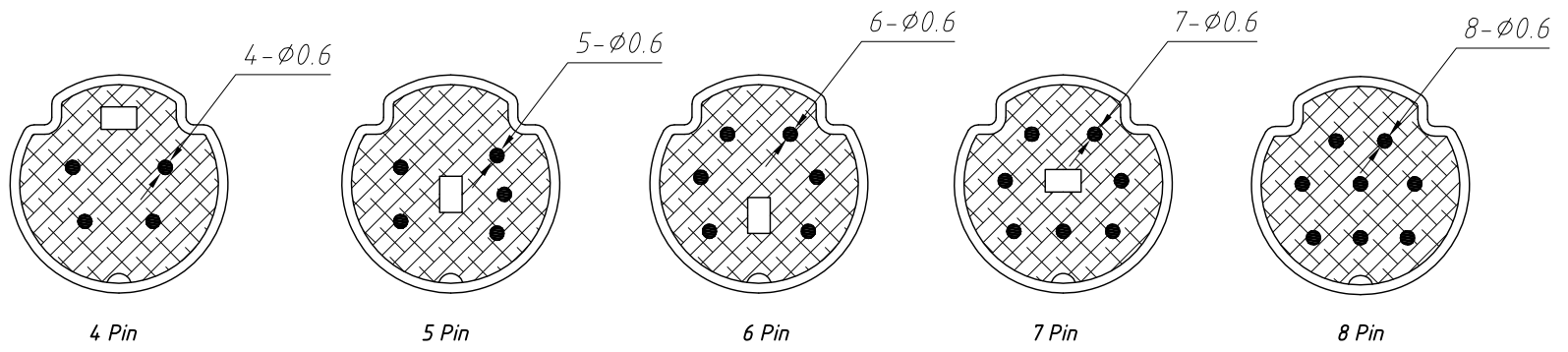
Material:

- 1.PIN:Brass
- 2.Dielectric:PBT
- 3.Metal Tube:Brass
- 4.Colloid:PE
- 5.Shell:PE

Order Information:

L-KLS1-294-M-XX-B

L: RoHS
 Type: M-MALE F-FEMALE
 Pins: 03-09 Pin
 B-BLACK



ANGLE TOLERANCE	PROJECTION	Description:	
±3°		Mini Din Plug With Plastic Handle (4-8P)	
GENERAL TOLERANCE	UNITS	mm	KLS P/N:
x.x ±0.30	SHEET SIZE	A4	L-KLS1-294-M-04-B
x.xx ±0.20	Draw:	Daniel	2018-07-10
x.xxx ±0.10	Check:	Daniel	2018-07-10

