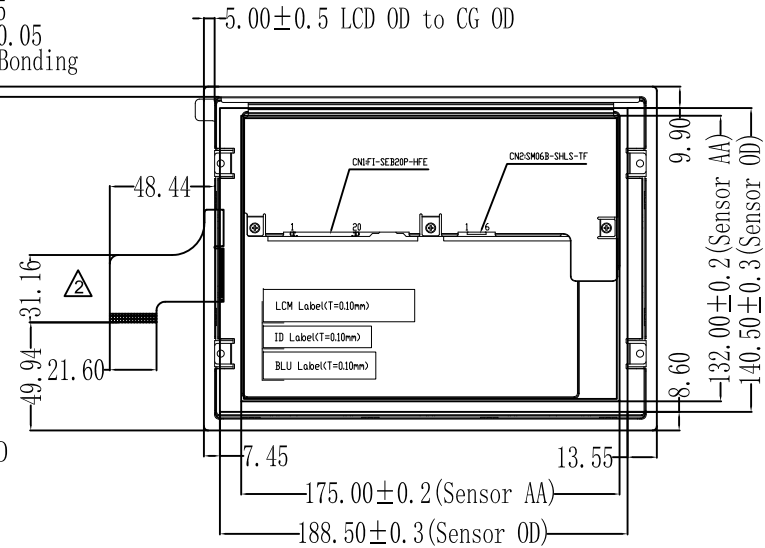
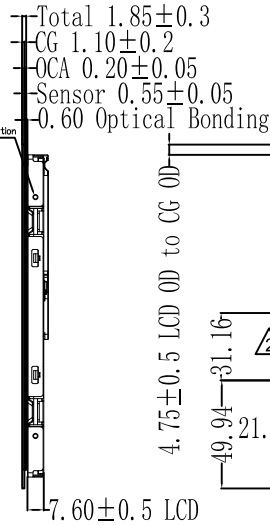
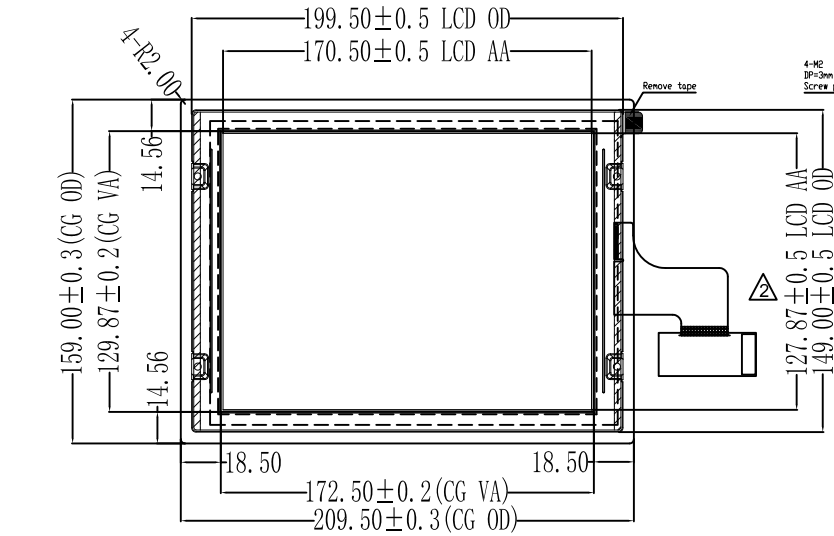


No.	Rev.	Revision Record	Name	Date.
①	V01	First release	Bill	2021.03.03
②	V02	Modify FPC size & CG size	Bill	2021.03.04
③	V03	Add AG etching	Bill	2021.03.16

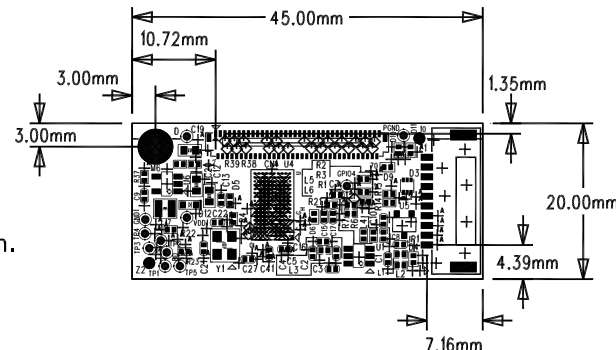
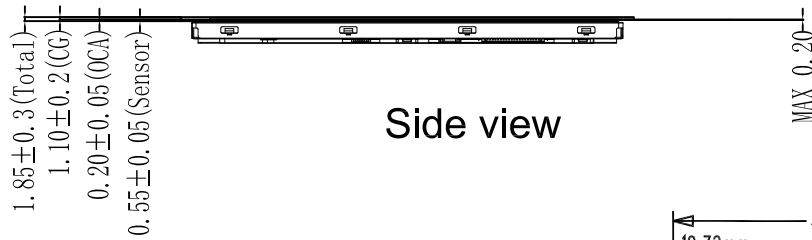
Front view

Side view

Back view



Side view



JP2	
No	Pin define
1	GPIO1
2	GPIO3
3	D+
4	D-
5	VDD(3.3&5V)
6	GND
7	INT(3.3V)
8	SDA(3.3V)
9	SCL(3.3V)
10	WAKE/RST(3.3&5V)

Technical Spec:

- COVER LENS : Soda lime
- Chemical strength glass,surface hardness ≥ 7H
- Transmittance ≥ 86%
- IC : EETI 80H7132(TX22\*RX29), 10 points touch.
- Interface : USB/I2C
- Common tolerance ±0.3mm
- Follow RoHS standard
- Operating Temperature:-20°C~+70°C  
Storage Temperature:-30°C~+80°C
- Glass with Anti-Glare etching, Chemically strengthened ③



Sense Touch Technology, Inc

Rev	V03	Model No.	ST-084CXXX		
Sheet	1 / 1	Customer P/N			
Unit	mm	Designed	Bill	Date	2021.03.16
Scale	1 : 1	Checked		Date	
Viewpoint		Approved		Date	