

# DATASHEET

S01.01.02.257\_KEPLER-F-D17.5-1-175

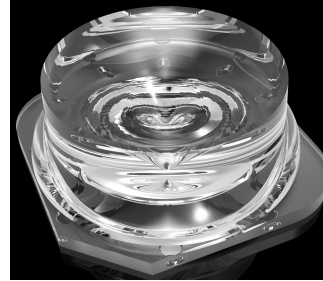
## TV Lens:

175° (Ultra Wide) beam.

17.5x 17.5 mm lens for up to 3030 size LED packages.

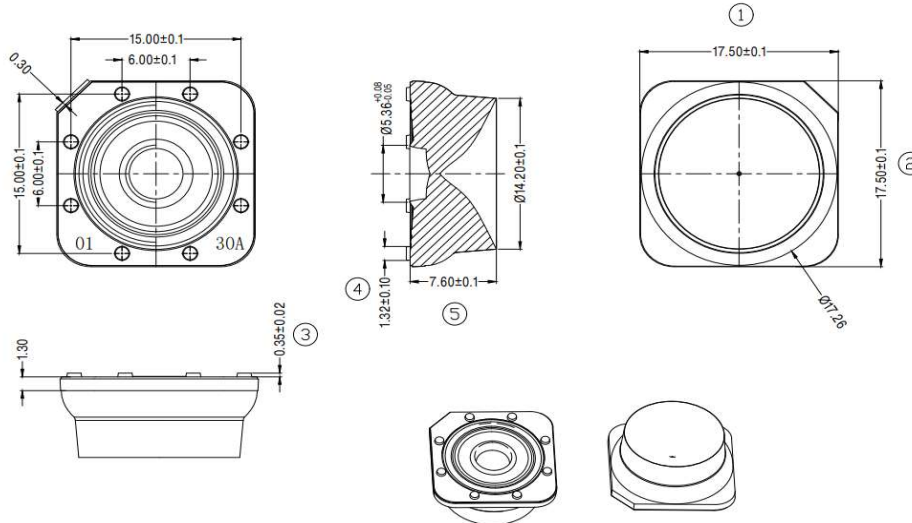
### 1.General Information

Material	: PMMA
Size	: 17.5x17.5mm
typ.FWHM	: 175°
Design LED	: LUXEON 3030 SQUARE
Compatibility	: 3030
typ.Efficiency	: 90%
Fasten	: Glue
IP class	: N/A
Zhaga	: N/A
RoHS	: YES
Color	: Clear



### 2.MECHANICAL SPECIFICATION

UNIT:mm



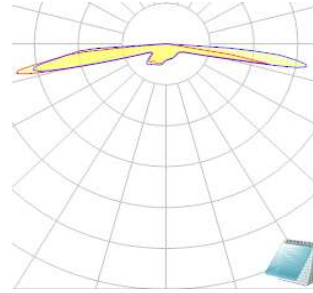
Dimensions with unmarked tolerances refer to GBT14486 tolerance table.

### 3. OPTICAL RESULTS

#### 1) PHOTOMETRIC DATA(MEASURED):



LED model LUXEON 3030 SQUARE  
 Light colour White  
 LEDs/each optic 1  
 FWHM H167.6°,V173.8°  
 FWTM H175.3°,V177.6°



Required components:

N/A

### 4.Part Configuration

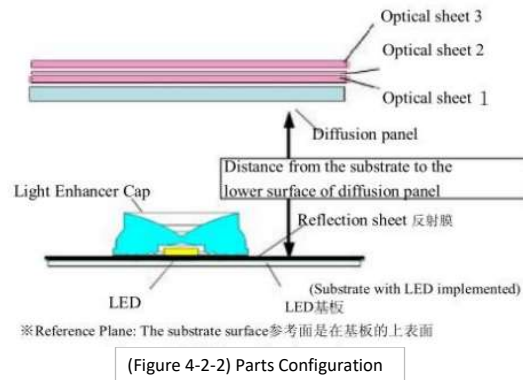
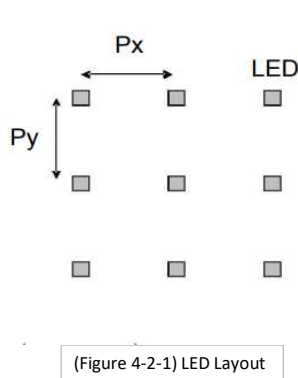
#### 1) Recommended light source

LED Size	Remarks
3030	H=0.6mm, Ø=2.1

#### 2) Reference example

Recommend the following configuration when the Light Enhancer Cap is used.

LED pitch intervals	Px145,Py145:N/A(mm)
LED layout (Figure 4-2-1)	Lattice Layout
Distance from the substrate to the lower surface of diffusion panel(Figure 4-2-2)	Optical Gap:22(mm)
Reflection Sheet	Pending
Diffusion Panel	Pending
Optical Sheet1(Prism Sheet)	1
Optical Sheet2(Prism Sheet)	Pending
Optical Sheet2(Diffusion Sheet)	1



### 5.Usage and Maintenance

- 1) If necessary, clean lenses with mild soap, water and soft cloth.
- 2) Never use any commercial cleaning solvents on lenses, like alcohol.
- 3) Please handle lens with wearing gloves, skin oils may damage lens or its optical characteristic.

### 6.Note

Please test the data again before using. The chart data is for reference only.

The appearance and specifications of the product can be changed to improve the quality and/or performance without notice.