

Data sheet

E-DAT Industry IP67 V6 AP, 1 Port Cat.6_A - E-DATmodul

Page 1/6

P/N

1309410003-E

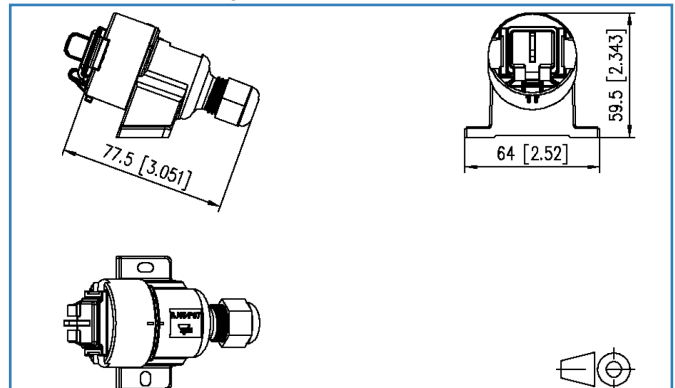
EAN 4250184106517

2015-07-07

Illustrations



Dimensional drawing



See enlarged drawings at the end of document

Product specification

- RJ45 termination unit E-DAT modul in flange housing to ISO/IEC 24702 and IEC 61076-3-106 var. 6
- component testing for Cat.6_A to ISO/IEC 11801 Ed.2.2:2011-06, DIN EN 50173-1:2011-09, TIA/EIA-568-C.2 (2009-08) and IEC 60603-7-51 Ed.1 (12/2008), certified to GHMT
- compliance with class E to ISO/IEC 11801 Ed.2.2:2011-06, DIN EN 50173-1:2011-09
- 10 GBit suitable according to IEEE 802.3an
- suitable for Power over Ethernet (PoE and PoE plus)
- easy to install connection of 2 to 4 pair data lines AWG 26/1 - 22/1 and stranded wires with 7 copper conductors AWG 26/7 - 22/7 to BTR 8-fold insulation displacement connectors (IDC)
- marking of conductor assignment to T568A or T568B
- complies with ingress protection IP67 when plugged in
- plug face pursuant to IEC 61076-3-106 (Variant 6)
- large 360° shield contact
- possible surface-mounting in series (AP)
- connection of RJ45 plugs available on the market (no IP protection)
- easy, time-saving mounting
- color: light gray RAL 7035

Technical Data

General Data

Fields of application	Office Harsh environment
Design	Wall outlet
Mounting style	surface mount
Shielding	shielded
Transmission technology	Copper
Wiring	T568A
Color protective housing	light gray
Dimensions	
Dimension (L x W x H)	79.00 x 64.00 x 59.50 mm
Dimension (L x W x H)	3.11 x 2.52 x 2.34 in.

Transmission characteristics

Category (ISO)	6 _A
Class (ISO/IEC)	E _A
Category (TIA)	6A
PoE	IEEE 802.3af
PoE plus	IEEE 802.3at
UPoE	yes
Transmission rate up to 10 GBit	IEEE 802.3an

Connections/interfaces

Connector technology interface 1	IDC-connection
Connector technology interface 2	RJ45-jack
Number of ports interface 2	1
Number of ports interface 2 equipped	1
Number of positions/contacts interface 1	8
Number of positions/contacts interface 2	8P/8C
Protective housing interface 1	V6
Protective housing interface 2	V6



Technical Data

Connections/interfaces

Termination data, solid wire (min. - max.)

Conductor cross section, solid wire	AWG 26 - 22
Conductor cross section, solid wire	0.128 - 0.324 mm ²
Conductor diameter, solid wire (bare copper)	0.409 - 0.643 mm
Conductor diameter, solid wire (bare copper)	0.016 - 0.025 in.

Termination data, stranded wire (min. - max.)

Conductor cross section, stranded wire	AWG 26 - 22
Conductor cross section, stranded wire	0.141 - 0.355 mm ²
Conductor diameter, stranded wire (bare copper)	0.483 - 0.762 mm
Conductor diameter, stranded wire (bare copper)	0.019 - 0.030 in.

Electrical characteristics

Current carrying capacity	max. 1 A
Rated voltage	max. 50 V
Contact resistance	max. 20 mOhm
Through resistance	max. 200 mOhm
Insulation resistance	min. 500 MOhm
Dielectric strength conductor-conductor (secondary)	min. 1000 V DC

Mechanical characteristics

Insertion and withdrawal force	max. 30 N
Position/mounting of latch - standard installation position	top

Materials and material properties

Material - Housing	GD-Zn (zinc die-cast)
Material - Housing finish	Ni (nickel)
Material - Protective housing	PA UL94 V0
Material - Contact	CuSn (tin bronze)
Material - Contact finish	Ni + Au (nickel-gold)
Material - Contact carriers	PA 6.6
Material - Finish of insulation displacement contacts	Sn (tin)
Material - Cable gland	PA (polyamide)
Material - Protective housing seal	NBR (nitrile butadiene rubber)
Material - Cap nut	PA (polyamide)

Technical Data

Materials and material properties

Material - Protective cap	PA UL94 V0
---------------------------	------------

Environmental conditions

Temperature (min. - max.)	
Temperature - Storage °C	-40 - 70 °C
Temperature - Storage °F	-40 - 158 °F
Temperature - Operating °C	-40 - 70 °C
Temperature - Operating °F	-40 - 158 °F
Particulate ingress	IP6X
Liquid ingress/immersion	IPX7
Rapid change of temperature	-40°C / -40°F - +70°C / 158°F / 25 cycles t=30 min
Electromagnetic measurement	E ₂

Certifications

Gost Certification	yes
RoHS	compliant

The product meets the following standards

Universelle Gebäudeverkabelung	
General requirements	ISO/IEC 11801 Ed.2.2: 2011-06 DIN EN 50173-1: 2011-09 TIA/EIA 568-C.2
Industrial area	ISO/IEC 24702 DIN EN 50173-3: 2011-09 TIA/EIA 1005
Connectors for electronic equipment	
Free and fixed connectors	DIN EN 60603-7-51:2011-01
Degrees of Protection Provided by Enclosures	IEC 60529
Interference proof	
Immunity for industrial environments	DIN EN 61000-6-2:2006-03
Climate tests	IEC 60512-11



Data sheet

Page 5/6

E-DAT Industry IP67 V6 AP, 1 Port Cat.6_A - E-DATmodul

P/N

1309410003-E

EAN 4250184106517

2015-07-07

Technical Data**Classifications**

ETIM 5.0 EC002597

Packing details

Type of packaging 1 pc(s) / plastic bag

Packaging unit - Weight (gram) 94.00 g

Packaging unit - Weight (pound) 0.21 lb



Data sheet

Page 6/6

E-DAT Industry IP67 V6 AP, 1 Port Cat.6_A - E-DATmodul

P/N

1309410003-E

EAN 4250184106517

2015-07-07

Illustrations

Dimensional drawing

