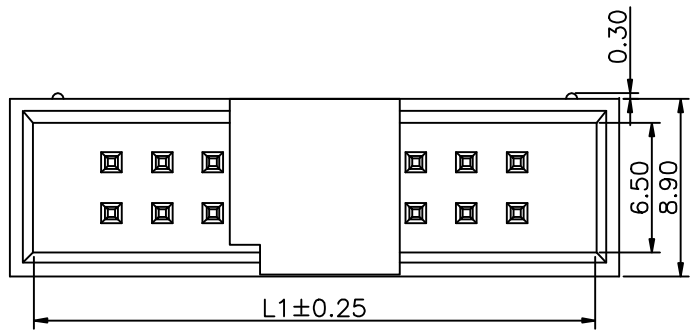
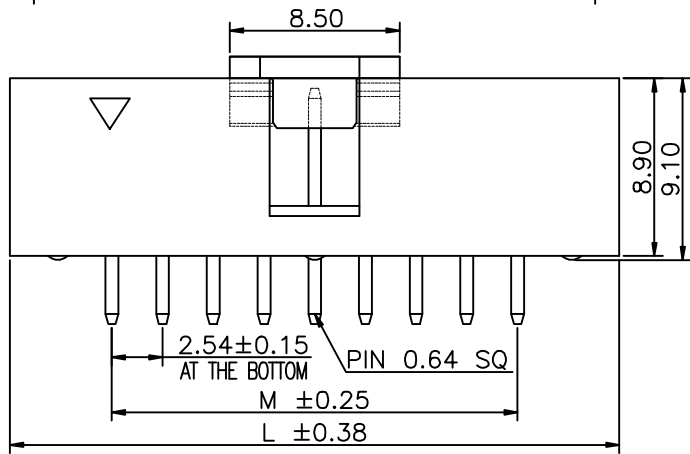


1 2 3 4 5 6 7 8 9

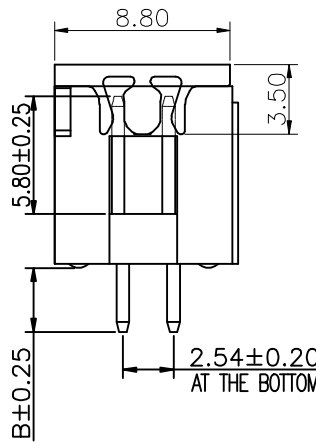
F



E



D

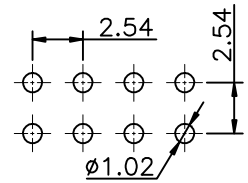


C

Specifications
 Current Rating:3.0Amp
 Insulation Resistance:1000MΩMin.
 Dielectric Withstanding Voltage:600VAC
 Contact Resistance:20mΩMax.
 Operating Temperature:-40°C to +105°C
 Materials
 Contact Material:
 Brass(Pin length less than 25mm)
 Phosphor Bronze(The total length of pin is more than 25mm)
 Insulator Material:
 PBT(Not resistant to high temperature),
 Nylon(High temperature resistance),
 LCP(High temperature resistance),
 UL 94V-0
 All materials must meet Greenconn hazardous substances control standards.

No. of PIN/ROW	Dimension Information		
	M	L1	L
03	5.08	12.94	15.24
04	7.62	15.48	17.78
05	10.16	18.02	20.32
06	12.70	20.56	22.86
07	15.24	23.10	25.40
08	17.78	25.64	27.94
09	20.32	28.18	30.48
10	22.86	30.72	33.02
11	25.40	33.26	35.56
12	27.94	35.80	38.10
13	30.48	38.34	40.63
14	33.02	40.88	43.18
15	35.56	43.42	45.72
16	38.10	45.96	48.26
17	40.64	48.50	50.80
18	43.18	51.04	53.34
19	45.72	53.58	55.88
20	48.26	56.12	58.42
21	50.80	58.66	60.96
22	53.34	61.20	63.50
23	55.88	63.74	66.04
24	58.42	66.28	68.58
25	60.96	68.82	71.12
26	63.50	71.36	73.66
27	66.04	73.90	76.20
28	68.58	76.44	78.74
29	71.12	78.98	81.28
30	73.66	81.52	83.82
31	76.20	84.06	86.36
32	78.74	86.60	88.90

Recommended P.C.Board Layout
 (Tolerance:±0.05)



Ordering Information

G PHA204 - XX XX A XXX X

Plastic specifications
 1=Single row
 2=Dual row
 3=Tripe row
 4=Quadruple

Water code

Positioning column information
 A=No locating post
 B=Round post
 C=Square post

Pin length
 See the drawing

Plating code
 01=Tin
 02=Gold Flash
 05=Gold Flash/Tin
 22=Matte Tin

No. of Pins per Row
 03~32

Insulator Material
 A=PBT
 R=Nylon(Halogen Free)
 C=LCP

Color
 1=Black
 2=White
 3=Yellow
 E=Beige

Packing code
 A=Box
 B=Tray
 C=Tube
 D=Tape&Reel
 E=Cap+Tube
 F=Cap+Tape&Reel

Contact Material
 A/S/K/T=Phosphor Bronze
 B/Z/H/W=Brass

A

格菱股份有限公司 Greenconn Corporation				GENERAL TOLERANCE		X	DWG. NO. GPHA204-CAXX	TITLE. 2.54 BOX HEADER DUAL ROWS DIP TYPE CONNECTOR
				X.±5.0'	X.±0.30			
REV. 01	UNIT. mm	SCALE. 3:1	PAGE. 1/1	.XX'±2.0'	.XX±0.15	X	PART NO. GPHA204-XXXX AXXX X1XX	
				.XXX'±1.0'	.XXX±0.10			

1 2 3 4 5 6 7 8 9