

MATERIAL:

- 1.HOUSING: LCP, GLASS FIBER FILLED, BK
- 2.CONTACT: COPPER ALLOY
- 3.GUARD PLATE:STAINLESS STEEL
- 4.SHIELD: STAINLESS STEEL

FINISH:

- CONTACT: SEE ORDER INFORMATION
SHELL: NICKEL PLATING

Ordering Code:

CU32 24 S * S A L R 001 -LF


① ② ③ ④ ⑤ ⑥ ⑦ ⑧ ⑨ ⑩

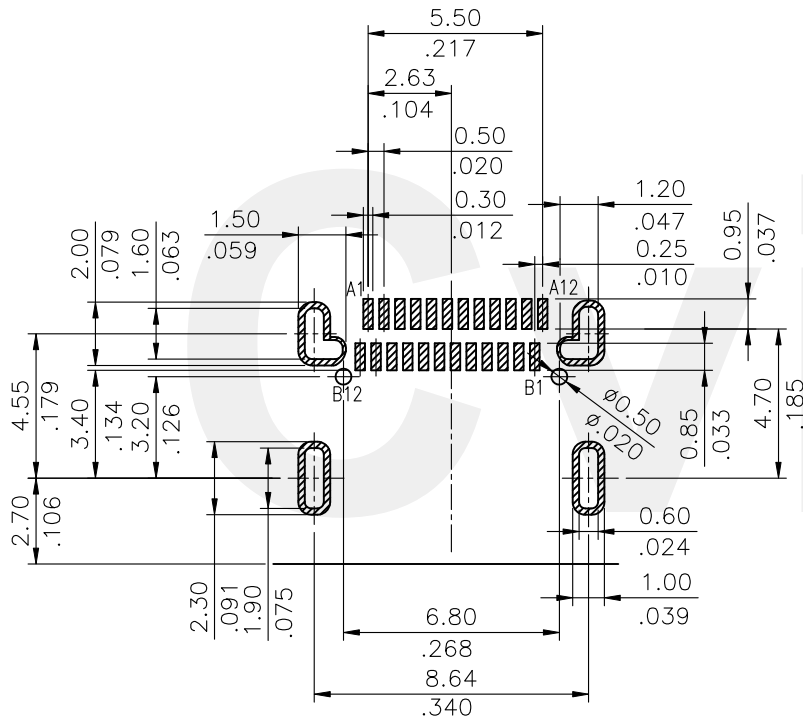
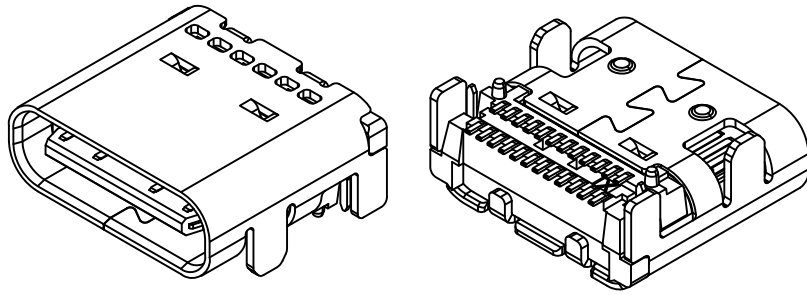
- ① Series No:CU32
- ② No. of Circuits: 24Pin
- ③ Contact type: S=Socket
- ④ Plating option:
A= Gold flash plated on Contact area,
Matte Tin plated on Solderetails,
Nickel underplating over all
- ⑤ Shell Material & Plating: S= STAINLESS STEEL
- ⑥ Contact Material: A= COPPER ALLOY
- ⑦ Insulator Material & Color option:
L= LCP Black
- ⑧ Packing: R= Tape & Reel
- ⑨ Other option: 001
- ⑩ -LF=For Lead Free IR Reflow Process

Lead Free Process

RoHS Compliant

CVILUX COUP
2021.08.12
ISSUED

④					DATE	UNIT: mm / inch	TITLE: CU32 TYPE C/F 24 PIN CH=1.68mm SMT TYPE TOP MOUNT TYPE	 瀚荃股份有限公司 CviLux Corporation	
③				DRAWN BY: Annie	07/30-21'	TOLERANCE UNLESS OTHERWISE SPECIFIED	MATERIAL:		
②				ENGINEER: Gavin	07/30-21'	.X ± 0.25/.010 X' ± 4'	FINISH:		
①				CHECKED BY: Keny	07/30-21'	.XX ± 0.20/.008 X' ± 2'			
SYM	NAME	DATE	REVISIONS	APPROVED BY: Keny	07/30-21'	.XXX ± 0.10/.004 .XX' ±	DRAWING NO. CU32S01SA	PART NO. CU3224S*SALR001-LF	
SCALE								4 / 1	SHEET 1 OF 3




RECOMMENDED P.C.B. LAYOUT(T:1.00mm)
TOLERANCE: ±0.05mm

USB TYPE-C FULL-FEATURED RECEPTACLE INTERFACE PIN ASSIGNMENTS

PIN	Signal Name	Description	PIN	Signal Name	Description
A1	GND	Ground return	B12	GND	Ground return
A2	SSTXp1	Positive half of first SuperSpeed TX differential pair	B11	SSRXp1	Positive half of first SuperSpeed RX differential pair
A3	SSTXn1	Negative half of first SuperSpeed TX differential pair	B10	SSRXn1	Negative half of first SuperSpeed RX differential pair
A4	Vbus	Bus Power	B9	VBUS	Bus Power
A5	CC1	Configuration Channel	B8	SBU2	Sideband Use(SBU)
A6	Dp1	Positive half of the USB 2.0 differential pair-Position 1	B7	Dn2	Negative half of the USB 2.0 differential pair-Position 2
A7	Dn1	Negative half of the USB 2.0 differential pair-Position 1	B6	Dp2	Positive half of the USB 2.0 differential pair-Position 2
A8	SBU1	Sideband Use(SBU)	B5	CC2	Configuration Channel
A9	VBUS	Bus Power	B4	VBUS	Bus Power
A10	SSRXn2	Negative half of second SuperSpeed RX differential pair	B3	SSTXn2	Negative half of second SuperSpeed TX differential pair
A11	SSRXp2	Positive half of second SuperSpeed RX differential pair	B2	SSTXp2	Positive half of second SuperSpeed TX differential pair
A12	GND	Ground return	B1	GND	Ground return

Lead Free Process

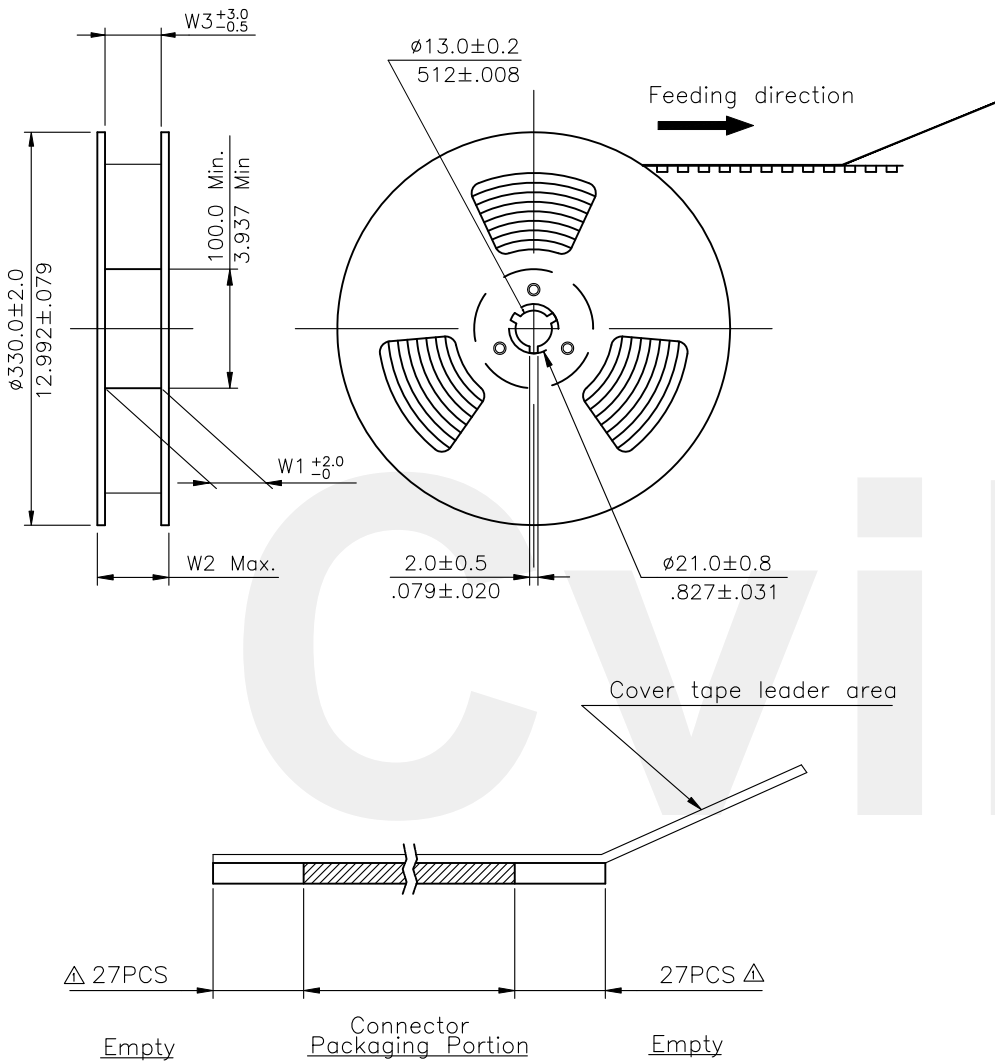
RoHS Compliant

4					DATE	UNIT: mm / inch	TITLE: CU32 TYPE C/F 24 PIN CH=1.68mm SMT TYPE TOP MOUNT TYPE	 瀚荃股份有限公司 CviLux Corporation
3					DRAWN BY: Annie	TOLERANCE UNLESS OTHERWISE SPECIFIED	MATERIAL:	
2					ENGINEER: Gavin	.X ± 0.25/.010 X' ± 4'	FINISH:	DRAWING NO. CU32S01SA
1					CHECKED BY: Keny	.XX ± 0.20/.008 X' ± 2'		PART NO. CU3224S*SALR001-LF
SYM	NAME	DATE	REVISIONS	APPROVED BY: Keny	07/30-21'	.XXX ± 0.10/.004 XX' ±	SCALE	4 / 1
								SHEET 2 OF 3

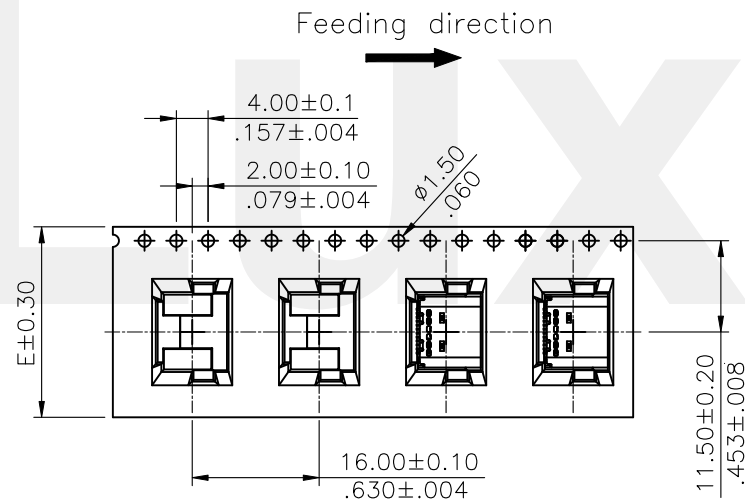


NOTE :

- * Reel Material : HIPS
- * Carrier Material : Clear, Conductive Polystyrene Alloy
- * Cover Tape Material : Polyester
- * Cover Tape Peel Strength : 0.1N – 1.3N
- * Carrier camber is within 1mm in 250mm
- * All dimensions meet EIA-481-B requirements.
- * Quantity : 900 PCS/Reel



Dimension				Packing (Reel/Carton)
E	W1	W2	W3	
24.0(.945)	24.5(.965)	30.5(1.201)	24.5(.965)	10



WIDTH : 24 mm Carrier

Lead Free Process

RoHS Compliant

SYM	NAME	DATE	REVISIONS	APPROVED BY:	DATE	UNIT: mm / inch	TITLE: CU32 TYPE C/F 24 PIN CH=1.68mm SMT TYPE TOP MOUNT TYPE
4							
3				DRAWN BY: Annie	07/30-21'	TOLERANCE UNLESS OTHERWISE SPECIFIED	MATERIAL:
2				ENGINEER: Gavin	07/30-21'		
1				CHECKED BY: Keny	07/30-21'	.X ± .X' ± 1'	FINISH:
				APPROVED BY: Keny	07/30-21'	.XX ± .X' ±	
						.XXX ± .XX' ±	

瀚荃股份有限公司
 CviLux Corporation

DRAWING NO.	CU32S01SA	PART NO.	CU3224S*SALR001-LF
SCALE		SHEET	3 OF 3