

Product Features

- 1, Constant current output
- 2, High Quality of light
- 3, High Reliability
- 4, Low Output Current Ripple
- 5, Isolated
- 6, Internal usage
- 7, Emergency power: 3W
- 8, Emergency periods: 1.5hrs

1) Compliances and Approvals

Approvals	CE EAC
Built-in/independent	Built in
Ingress protection	IP20
Suitable for fixture of protection Class	Class I
Output Safety Level	Isolated
Enviromental	Indoor
Features	Fixed

2) Electric Input Characteristics

	Symbol	Remarks	Min.	Typical	Max.	Unit
Input Voltage						
Rated mains voltage	Vin	Nominal range	220	-	240	Vac
Mains voltage range	Vin.op	operational	195	-	264	Vac
Mains frequency nominal	fn	Nominal range	50		60	Hz
Rated mains voltage	Vin	Nominal range		NA		Vdc
Input Current						
Input current	lin	@230Vac, full load		0.23		A
Input inrush current		@264Vac, 50% width		46A,180us		A, us
Power Factor	PF	@230Vac, full load	0.95			
Total Harmonic distortion	THD	@230Vac, full load			10	%
System Efficiency	η	@230Vac, full load		89		%
Input Power						
Input Power	Pin	@230Vac, full load			48	W
Input Power@ open load		rated input voltage			1	W
Input Power@ standby		rated input voltage		NA		

3) Electric Output Characteristics

	Symbol	Remarks	Min.	Typical	Max.	Unit
Output Voltage						
Output voltage range	Vo	measured at end of wire	80		115	Vdc
Output voltage @no load	Vo.max	open load		150		Vdc
Output Current						
Output Current	Io			350		mA
Output Current tolerance			-5		5	%
Current Ripple		@230Vac (Imax-Imin)/(Imax+Imin)		1		%
Output Power	Po	output performance power			40	W
Isolation	In-Out	3000Vac. for 1min			10	mA

4) Emergency Characteristics

	Symbol	Remarks	Min.	Typical	Max.	Unit
Emergency Power		@230Vac, full load		3		W
Recharge Time				24		Hours
Emergency Periods				1.5		Hours
Battery		Li-ion		18650 3.2V 2.6Ah		
Self-testing				With		

5) Robustness	Symbol	Remarks	Min.	Typical	Max.	Unit
General						
Electric strength	Input-Output	50Hz/60Hz and be applied for 1 min		3000		Vrms
	Input-GND			1480		Vrms
Insulation Resistance Test		500Vd.c. for 1min, For SELV part is 100 Vd.c.	2			MΩ
Reliability						
Rated Life@Tc.max		10% failure			50K	Hrs
Rated Life@Tc.life		10% failure			100K	Hrs
Surge	L-N			1		kV
Surge	L/N-PE			2		kV
Environment Operation						
Ambient temperature	Ta		0		45	℃
Maximum Tcase	Tc.max				65	℃
Tc life	Tc.life				55	℃
Operation Humidity	H.op		10		75	%
Environment Storage						
Storage temperature	T.st		-10		45	℃
Storage Humidity	H.st		10		75	%
Abnormal Condition						
Input Over Voltage		Protected, no damage to driver ^①		Without		Vac
Output Short Circuit		Protected, no damage to driver ^②		With		
Output Open load		Output voltage limited to Vo.max ^③		135		Vdc
Too High Ambient Temperature		Protected by built-in thermal protection in controller IC ^④		With		
Input Over Power		Input power should be limited and no damage to driver ^⑤			48	W

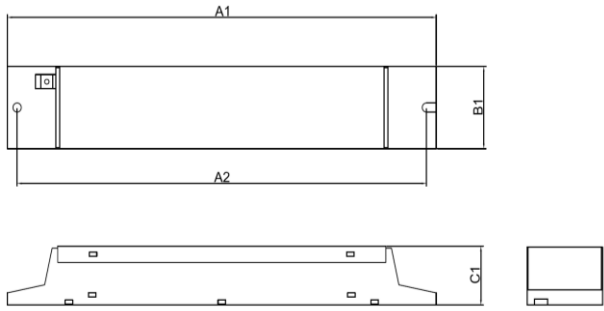
- ① If the LED driver connects to Input Voltage 380Vac, then the protection Turn On and the Led driver is switched off until its connect to Input voltage 220-240Vac.
In this protection mode, the led driver does not blink and can be not damage more than 48 hours
- ② Auto Recovery
- ③ Auto Recovery
- ④ The output current decreases
- ⑤ There is risk to damage the LED driver or decreases the life time.

6) Warranty

- Warranty 5 years
- Except for the following circumstance:
 - 1) Improper Installation or operation
 - 2) Misuse
 - 3) Abuse
 - 4) Unauthorized or improper repair alteration
 - 5) Accident or negligence in use, storage, transportation.
 - 6) Any natural destroy
 - 7) Exceed the specification as per the product datasheet
 - 8) The battery needs to be replaced every 12 months

7) Mechanical properties Unit

	L	W	H	M	
Dimensions	230(A1)	40.5(B1)	29(C1)	219.5(A2)	mm
Housing Material	Metal				



8) Physical properties Unit

Weight	268	gram
Qty to Carton	50	pcs
Carton Size:	42.5*24*19.5	cm
G.W:	14.5	kgs
Potting Raw materials	without	
Printing	printing can be changed by customer's email confirmation	

size:172*37mm

INPUT

- PE
- N
- LS
- L

PL-HMEM-040WACC350

Emergency power supply for LED

Uin, Vac	Fn, Hz	Pin, W	Iin, A	PF	Uout, Vdc	Umax, Vdc	Iout, mA	Ta, °C	Tc, °C
220-240	50/60	48	0.23	0.95	80-115	150	350	0...45	65

● IC: test point

Battery - Li-ion	3,6 V / 2,6 Ah
Operating time	1.5hour
Output power under emergency mode	3 W

9-10mm Cable 0.5-0.75mm²

Made In China

OUTPUT

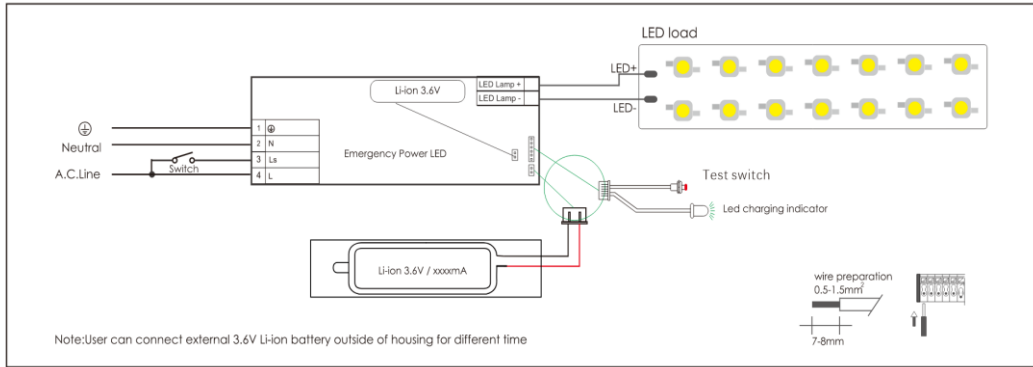
- +
- -


Light indication

Connection	Signal	Cable Description	Remark
Input	PE	0.5-0.75mm ²	grey, push-in terminal
	L	0.5-0.75mm ²	grey, push-in terminal
	LS	0.5-0.75mm ²	grey, push-in terminal
	N	0.5-0.75mm ²	grey, push-in terminal
Output	+	0.5-0.75mm ²	red, push-in terminal
	-	0.5-0.75mm ²	black, push-in terminal

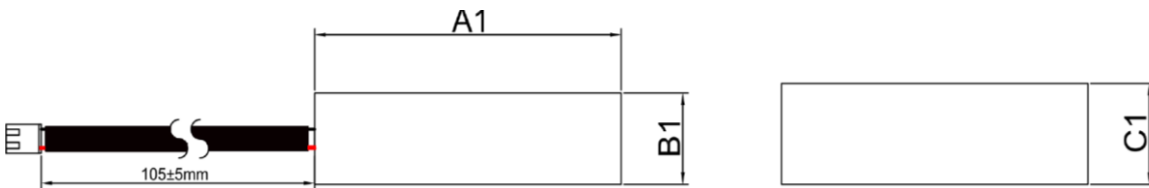
Connection Marking Yes

Connection Method



9) Test Switch	Symbol	Remarks	Min.	Typical	Max.	Unit
LED indicator		indicate that charging status				
Mounting hole		Dia		5		mm
wire Length				400		mm
LED indicator status						
		LED indicate				
		Test switch				
		<ul style="list-style-type: none"> ○ Off: Battery disconnected or mains supply disconnected ● Green stable: Battery charging or fully charged ● Yellow: No battery connected ● Red: LED driver out of working ● + ● Green and Yellow: LED driver operates normally But without battery installed ● + ● Green and Red : LED driver operates normally But battery out of charge 				
Test Switch		checking the device function				
Mounting hole		Dia		7		mm
wire Length				400		mm

10) Battery	Symbol	Remarks	Unit			
Dimensions			L	W	H	M
			70(A1)	19(B1)	21(C1)	NA
Weight				54		gram
Qty				1		pcs



Remark

- Li-ion 18650 battery 3.6V
- Battery build in housing for 1.5 hour (3.6V/2600mA)
- Rated 500 charge/discharge cycle
- Ambient temperature 0°C to +50°C
- Ensures safety in use
- Overcharge-/Overdischarge protection
- The battery needs to be replaced every 12 months
- To guarantee the rated discharge time, please charge the battery for at least more than 12 hours.
- Charge and discharge cycle needs to be done at least once every three months, and the continuous charging time can not exceed 3 months.

11) Directives / Test Standards

Directives / Test Standards

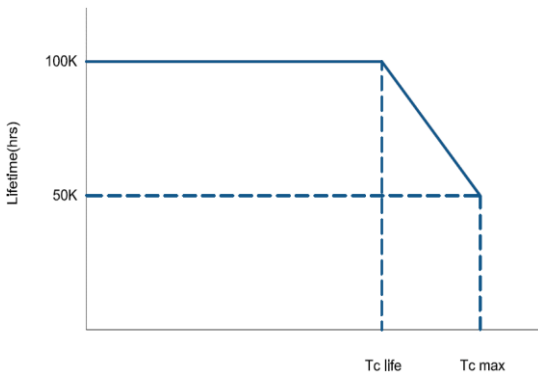
Safety	IEC61347-1、IEC61347-2-13
EMC	EN55015、CISPR15、EN61000-3-2、EN61547、EN61000-4-2、EN61000-4-3、EN61000-4-4、EN61000-4-5、EN61000-4-6、EN61000-4-11

12) Addition Remarks

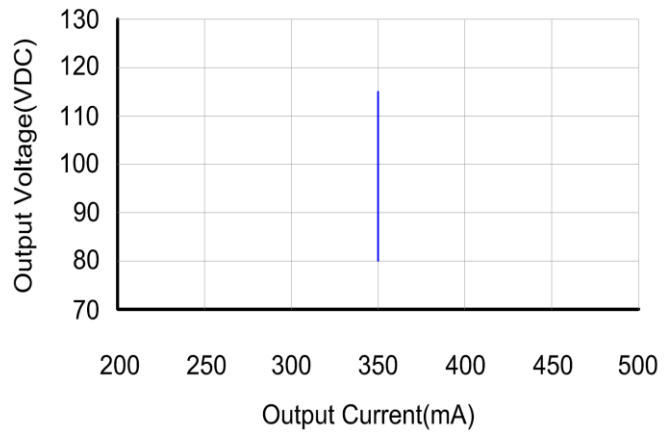
- The LED driver used in combination with the end device is one of the accessories of the whole light fixture, and the EMC of the whole light fixture is not only susceptible to the driver itself, but to the LED light fixture and the whole light fixture's wiring. The manufacturer of LED light fixture should re-confirm the EMC of the whole light fixture before the whole light fixture is finished.
- The luminaire manufacturer is responsible for the correct choice and installation of the LED drivers according to the application and product datasheets. Operating conditions of the LED drivers may never exceed the specifications as per the product datasheet.
- All parameters, if not specified, are measured at 230Vac full loading and 25°C ambient temperature

13) Performance

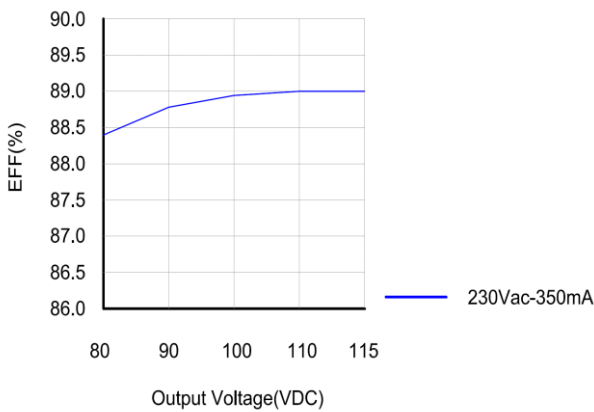
Lifetime vs. Temperature Curve



Operating window



Efficiency VS. Load



Power Factor Characteristics

