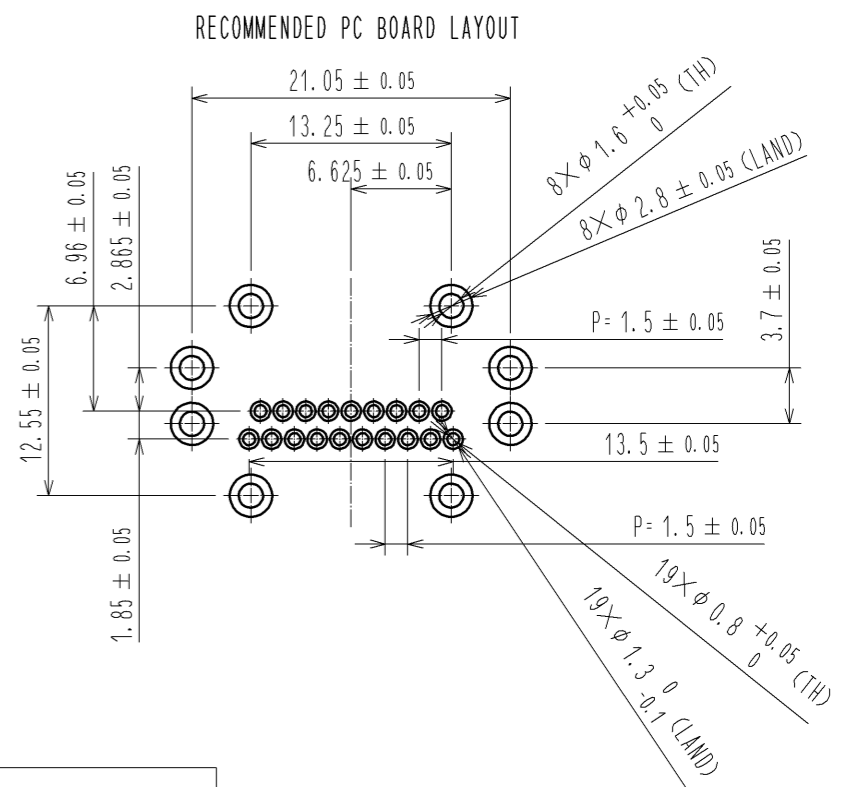
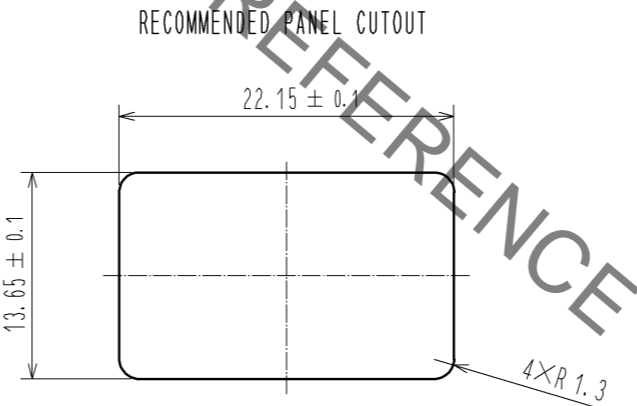
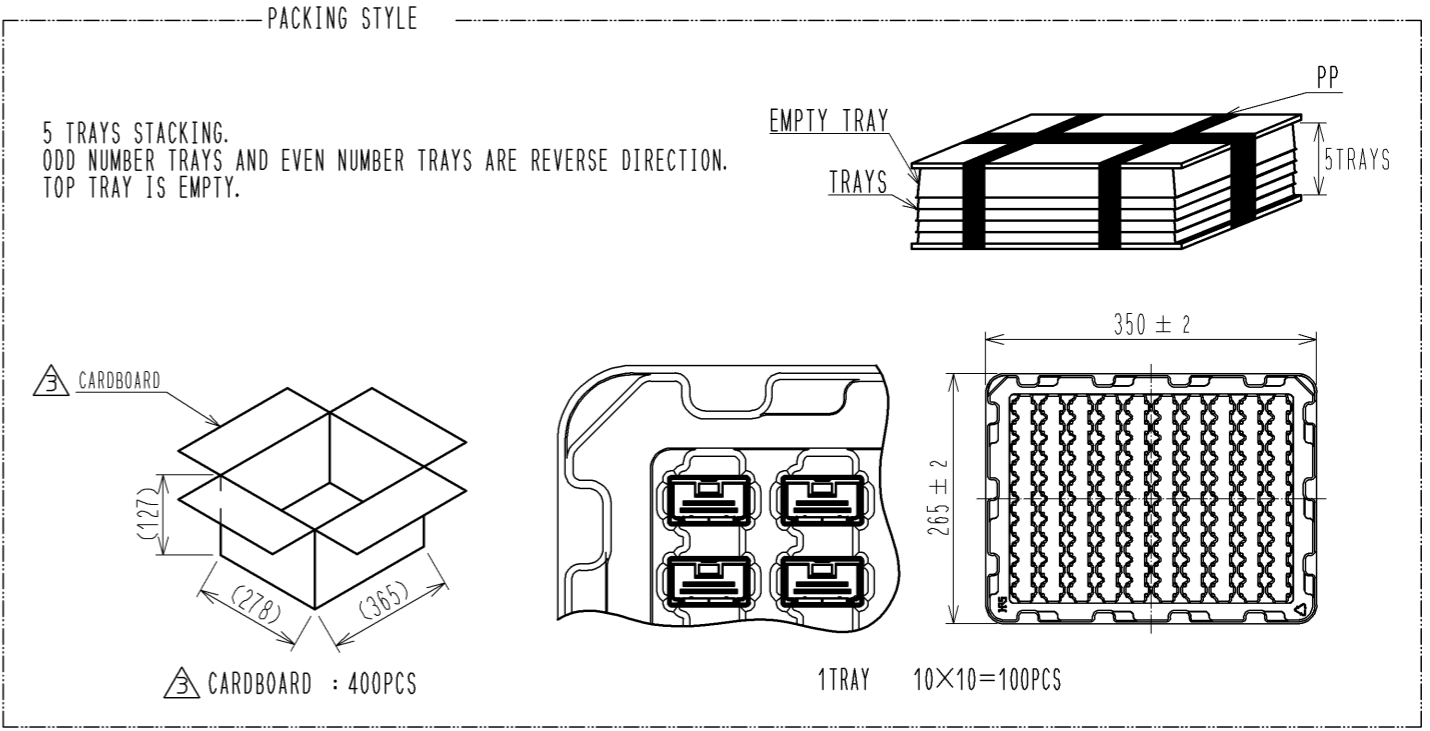
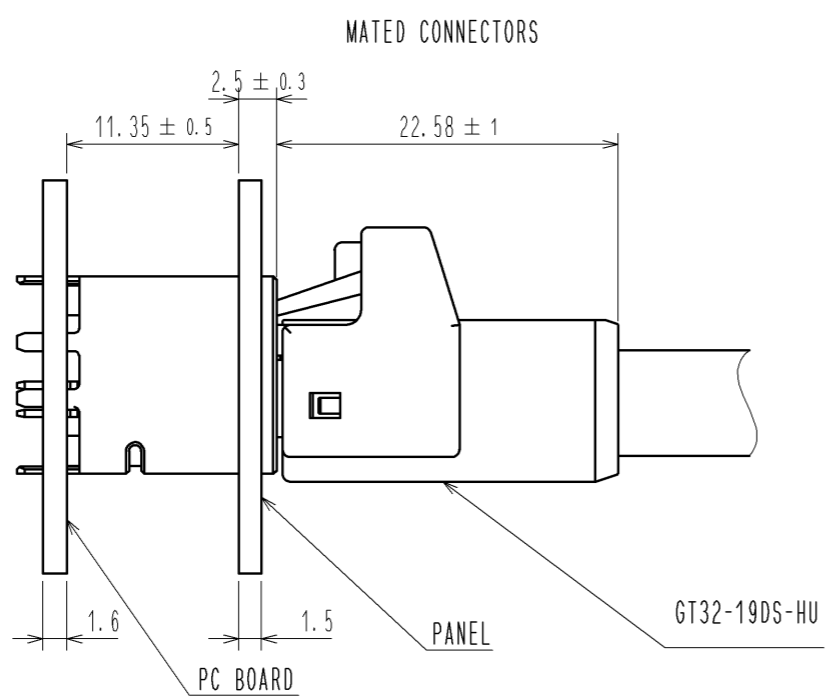
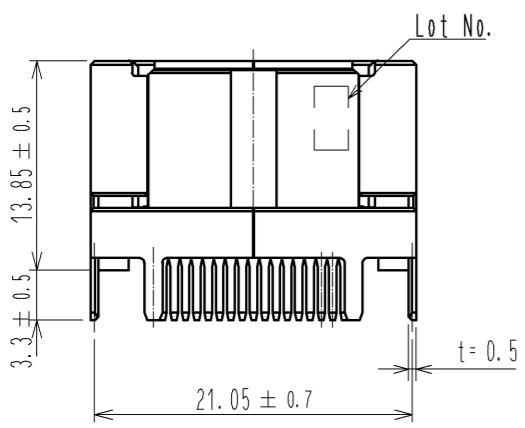
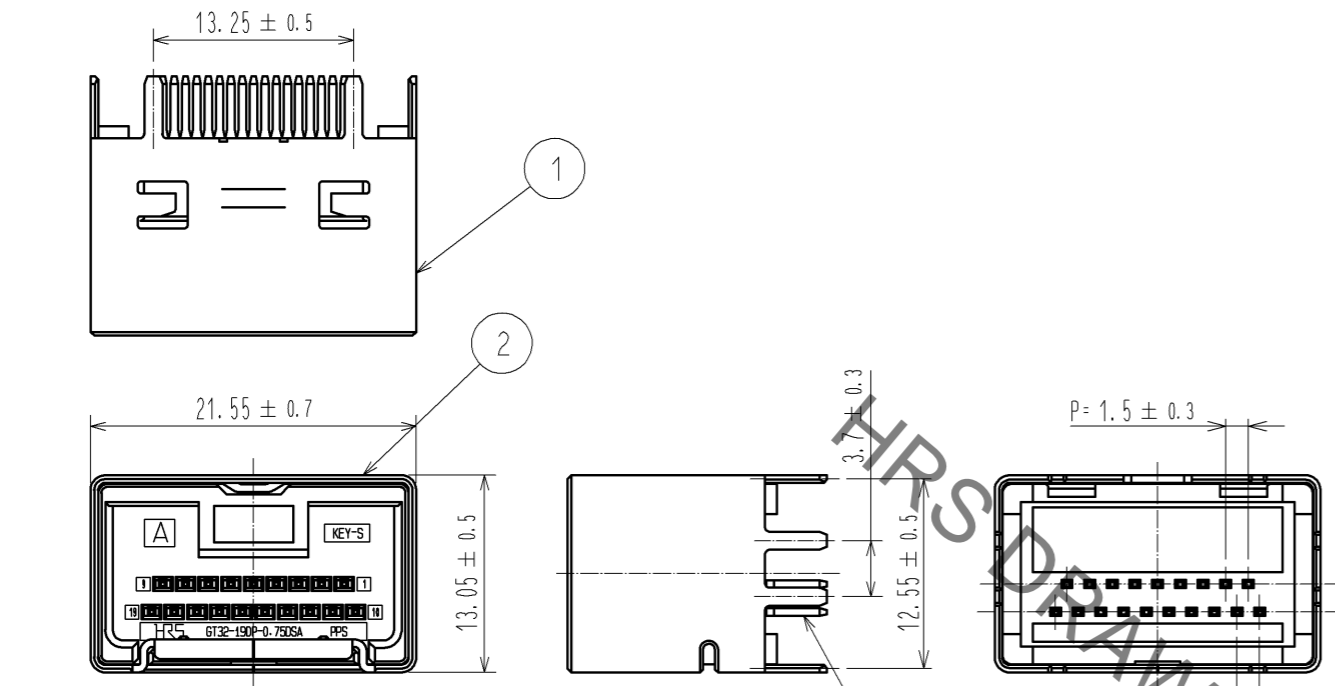


Sep.1.2020 Copyright 2020 HIROSE ELECTRIC CO., LTD. All Rights Reserved.
In case of consideration for using Automotive equipment / device which demand high reliability, kindly contact our sales window correspondents.

ELV, RoHS COMPLIANT



2	PPS	LIGHT GRAY						
1	COPPER ALLOY	TIN PLATED		3	BRASS	TIN PLATED		
NO.	MATERIAL	FINISH . REMARKS	NO.	MATERIAL	FINISH . REMARKS			
UNITS	mm	SCALE	COUNT	DESCRIPTION OF REVISIONS		DESIGNED	CHECKED	DATE
		2 : 1	2	DIS-T-003805		NK. IKUTA	TS. KUBOTA	14. 03. 07
HRS HIROSE ELECTRIC CO., LTD.		APPROVED : NH. NAKATA	13. 09. 30	DRAWING NO.		EDC3-169933-00		
		CHECED : TS. KUBOTA	13. 09. 28	PART NO.		GT32-19DP-0. 75DSA		
		DESIGNED : NK. IKUTA	13. 09. 27	CODE NO.		CL782-0037-9-00		1/1
		DRAWN : NK. IKUTA	13. 09. 27					