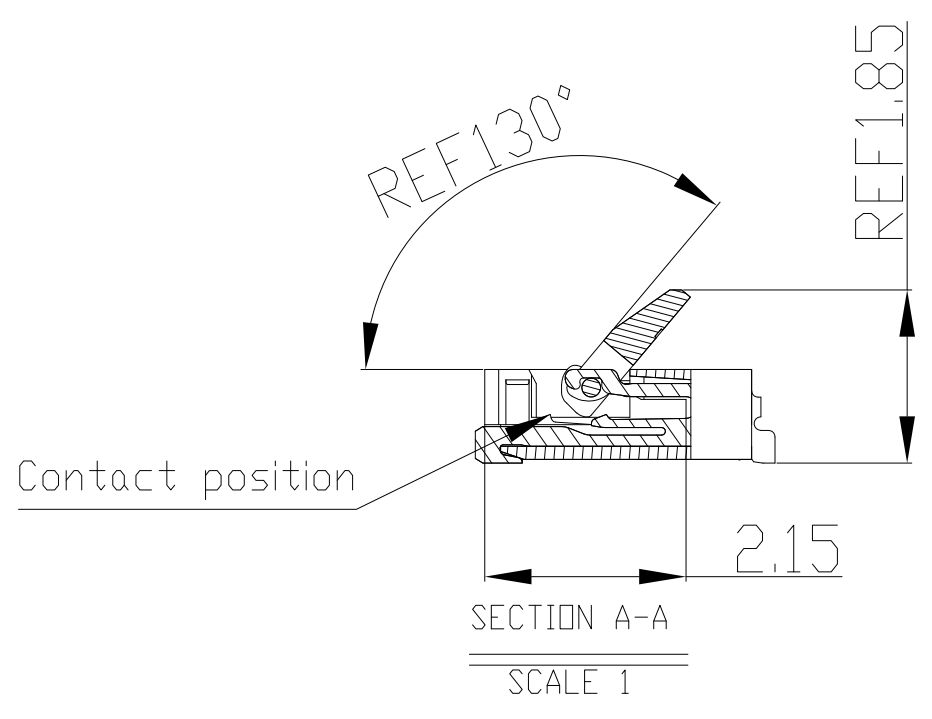
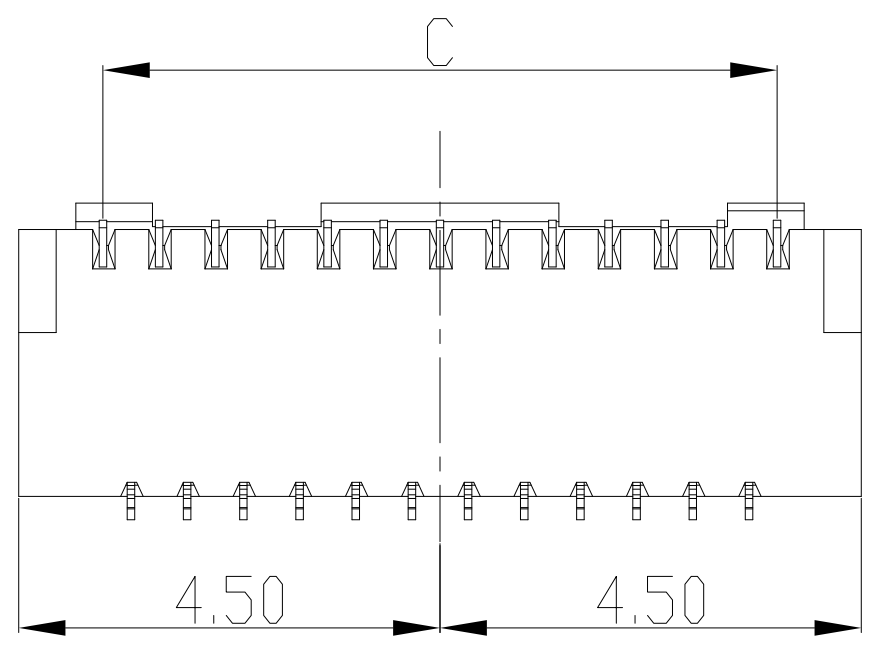
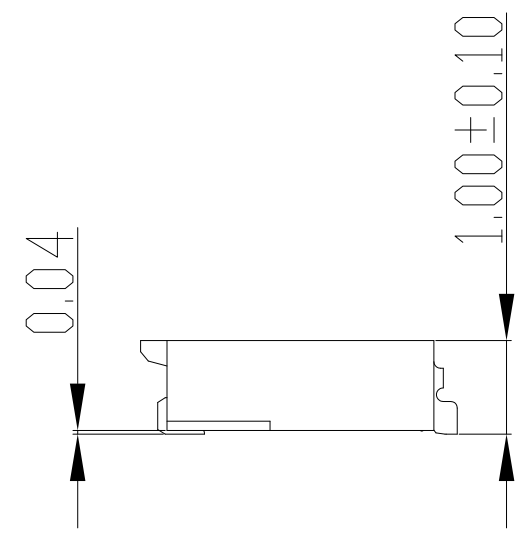
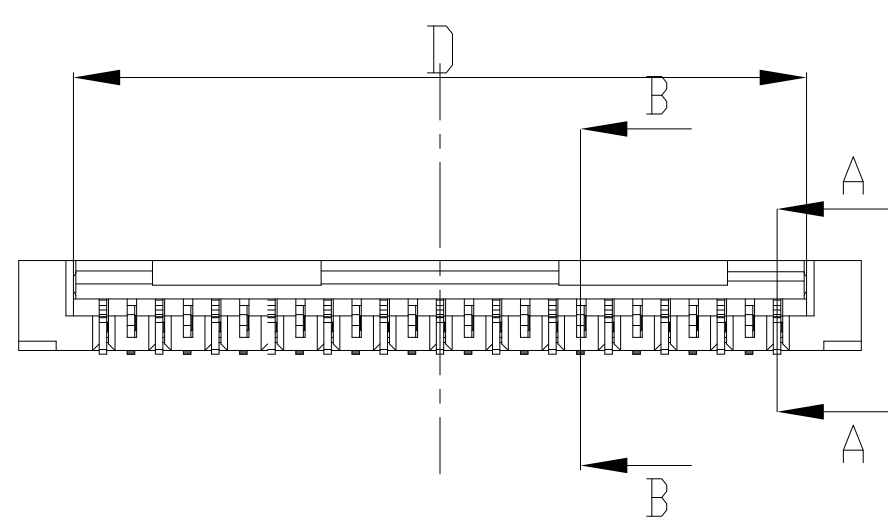
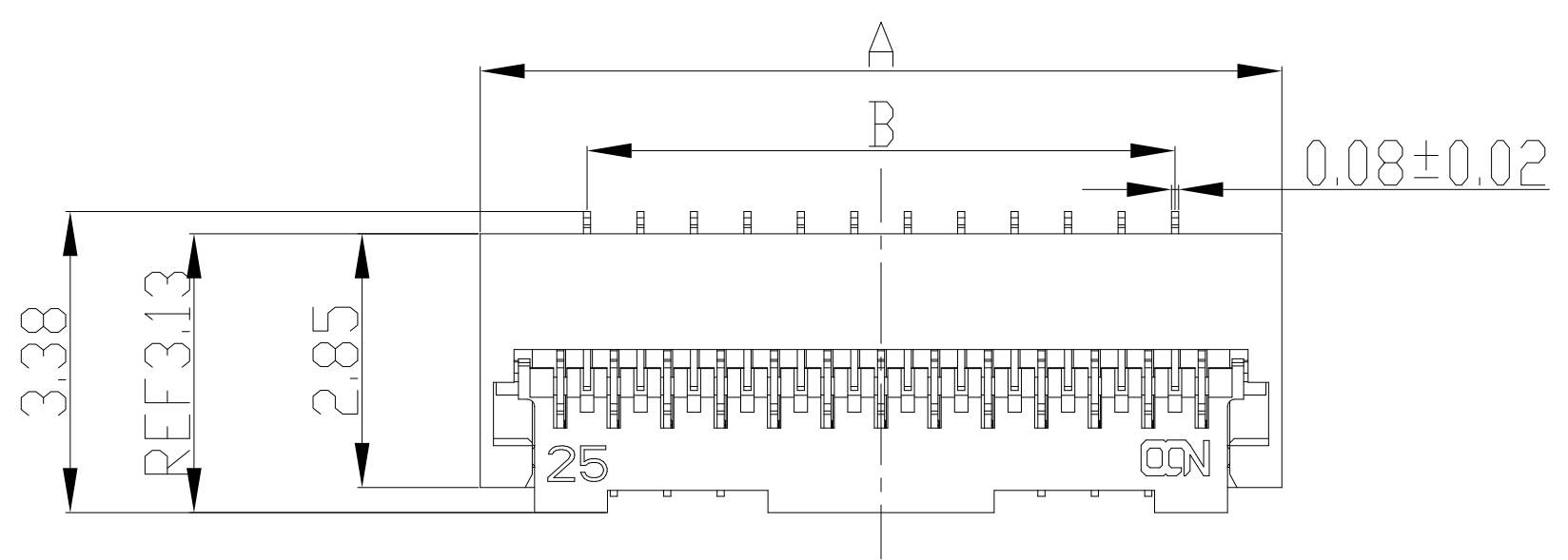


REV	ECN NO	DRA	APPD	DATE
A	FIRST RELEASE	George Gao	Human Zhou	2013.09.12

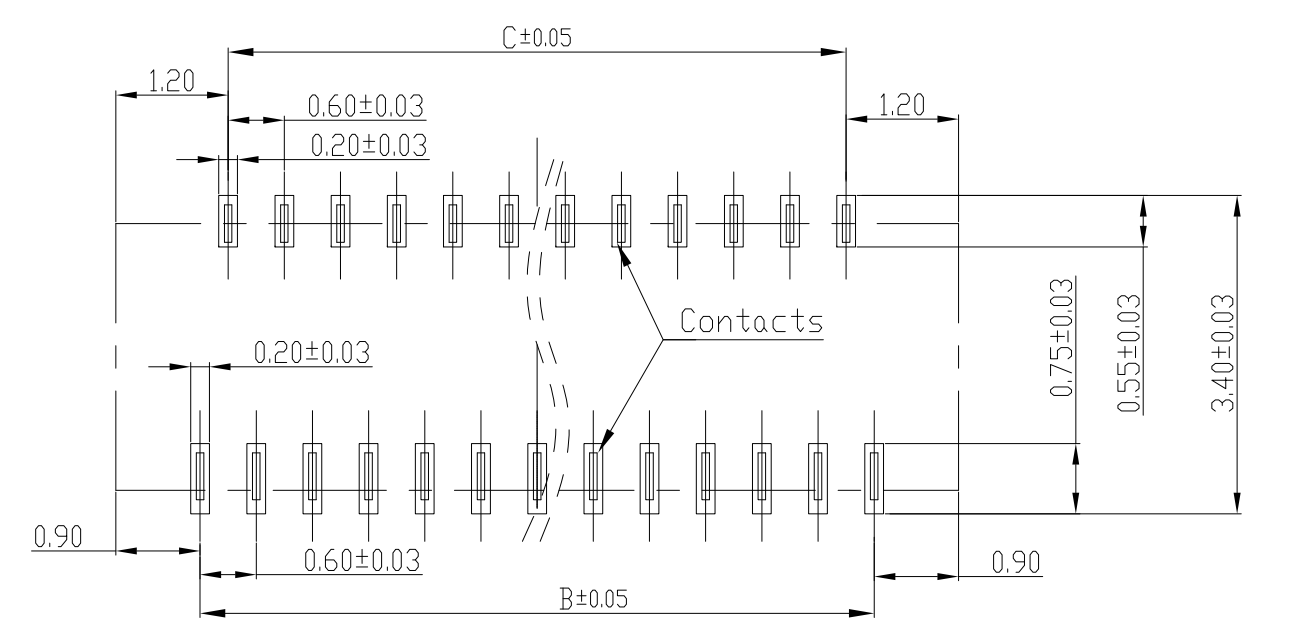
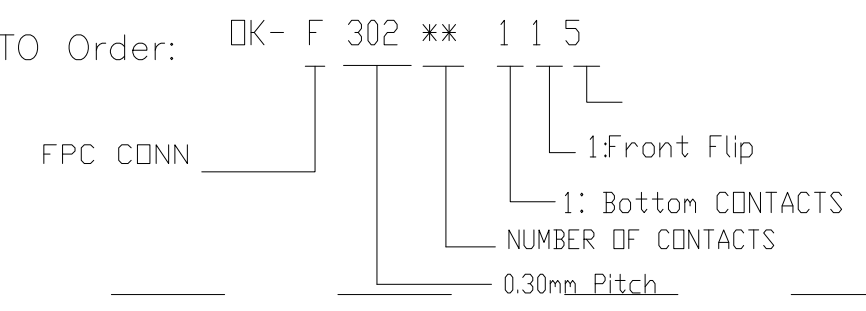


Specifications:

- 1) Material:
 - 1-1. Plastic: LCP BLACK COLOR (UL94 V-0).
 - 1-2. Contacts : Copper Alloy.
- 2) Surface treatment:
 - 2-1. Terminal portion: Base: Ni plating All Surfacen; Au plating on contact area and Solder Area.
- 3) Characteristics:
 - 3-1. Rated voltage: 30V AC/DC
 - 3-2. Rated current: 0.2A/contact
 - 3-3. Insulation resistance: Min. 50MΩ (initial)
 - 3-4. Breakdown voltage: 150V AC for 1 min.
 - 3-5. Saltwater spray resistance (Conn and FPC cable mated): 24 hours, insulation resistance min.50MΩ, contact resistance max. 100mΩ;
 - 3-6. Contact resistance: Max. 100mΩ
 - 3-7. Ambient temperature: -55°C~+85°C
 - 3-8. Storage temperature: -55°C~+85°C (product only); -40°C~+50°C (emboss packing)
 - 3-9. FPC cable retention force: Min. 0.2N/contacts X contacts (initial)
 - 3-10. Contacts retention force: Min. 0.2N/contact
 - 3-11. Insertion and removal life: 10 times (10 s /time)
- 4) HOW TO Order: OK- F 302 ** 1 1 5

★ means M-production

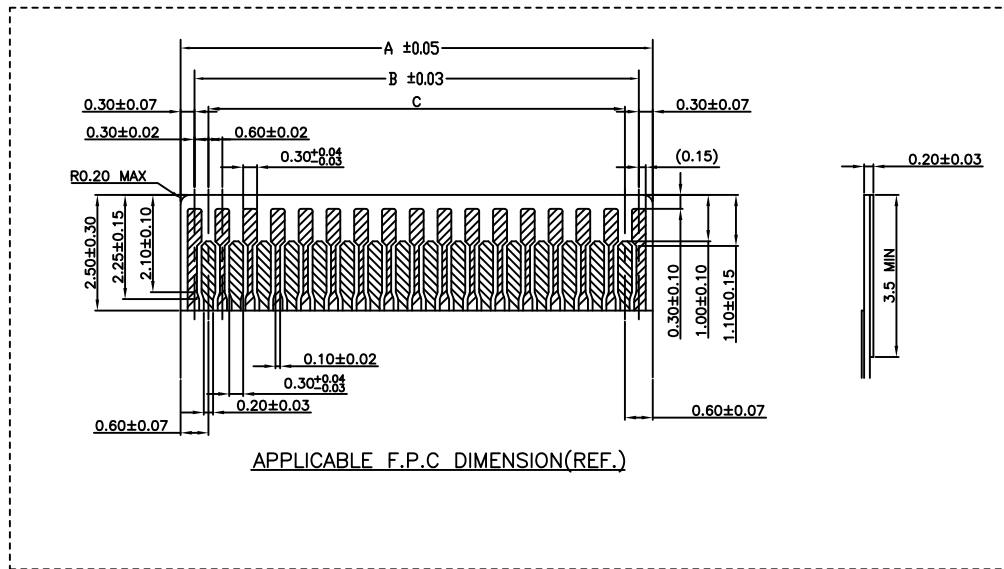
NO. of Contacts(n)	Dimensions			
	A	B	C	D
★ 11	4.80	2.40	3.00	3.63
★ 13	5.40	3.00	3.60	4.23
★ 15	6.00	3.60	4.20	4.83
★ 17	6.60	4.20	4.80	5.43
★ 19	7.20	4.80	5.40	6.03
★ 21	7.80	5.40	6.00	6.63
★ 23	8.40	6.00	6.60	7.23
★ 25	9.00	6.60	7.20	7.83
★ 27	9.60	7.20	7.80	8.43
★ 29	10.20	7.80	8.40	9.03
★ 31	10.80	8.40	9.00	9.63
★ 33	11.40	9.00	9.60	10.23
★ 35	12.00	9.60	10.20	10.83
★ 37	12.60	10.20	10.80	11.43
★ 39	13.20	10.80	11.40	12.03
★ 41	13.80	11.40	12.00	12.63
★ 43	14.40	12.00	12.60	13.23
★ 45	15.00	12.60	13.20	13.83
★ 47	15.60	13.20	13.80	14.43
★ 49	16.20	13.80	14.40	15.03
★ 51	16.80	14.40	15.00	15.63
★ 53	17.40	15.00	15.60	16.23
★ 55	18.00	15.60	16.20	16.83
★ 57	18.60	16.20	16.80	17.43
★ 59	19.20	16.80	17.40	18.03
★ 61	19.80	17.40	18.00	18.63
★ 63	20.40	18.00	18.60	19.23
★ 65	21.00	18.60	19.20	19.83
★ 67	21.60	19.20	19.80	20.43
★ 69	22.20	19.80	20.40	21.03
★ 71	22.80	20.40	21.00	21.63



Recommended metal mask thickness: T=0.10mm

DIMENTION IN mm				TITLE: 0.3mm Pitch FPC CONN (1.0H) FRONT FLIP					
TOLERANCE UNLESS OTHERWISE SPECIFIED				APPD:	DWG NO: OK-F302-**115				
±0.20	±2°	CHKD:	PROJ	Q'TY	SIZE	SHEET	SCALE	REV	
.0 ±0.10	.0 ±1°	DRA: George Gao 2013.09.12	☐	--	A4	1/1	1:1	A	
.00 ±0.05	.00±0.5°								
.000±0.03	.000±0.3°								

REV	ECN NO	DRA	APPD	DATE
A	FIRST RELEASE	George Gao	Human Zhou	2013.09.12
A1	SECOND RELEASE	George Gao	Human Zhou	20150814



DIM Pin No.	A	B	C
11	3.60	3.00	2.40
13	4.20	3.60	3.00
15	4.80	4.20	3.60
17	5.40	4.80	4.20
21	6.60	6.00	5.40
23	7.20	6.60	6.00
25	7.80	7.20	6.60
27	8.40	7.80	7.20
31	9.60	9.00	8.40
33	10.20	9.60	9.00
35	10.80	10.20	9.60
37	11.40	10.80	10.20
39	12.00	11.40	10.80
45	13.80	13.20	12.60
51	15.60	15.00	14.40



DIMENTION IN mm		APPD: George Gao		TITLE: 0.3mm Pitch FPC CONN (1.0H) FRONT FLIP					
TOLERANCE UNLESS OTHERWISE SPECIFIED		CHKD: Human Zhou		DWG NO: DK-F302-xx115					
. ±0.20	. ±2°	DRA: George Gao		PROJ	Q'TY	SIZE	SHEET	SCALE	REV
.0 ±0.10	.0 ±1°	20150814		☐ ⊕	--	A4	1/1	1:1	A1
.00 ±0.05	.00±0.5°								
.000±0.03	.000±0.3°								