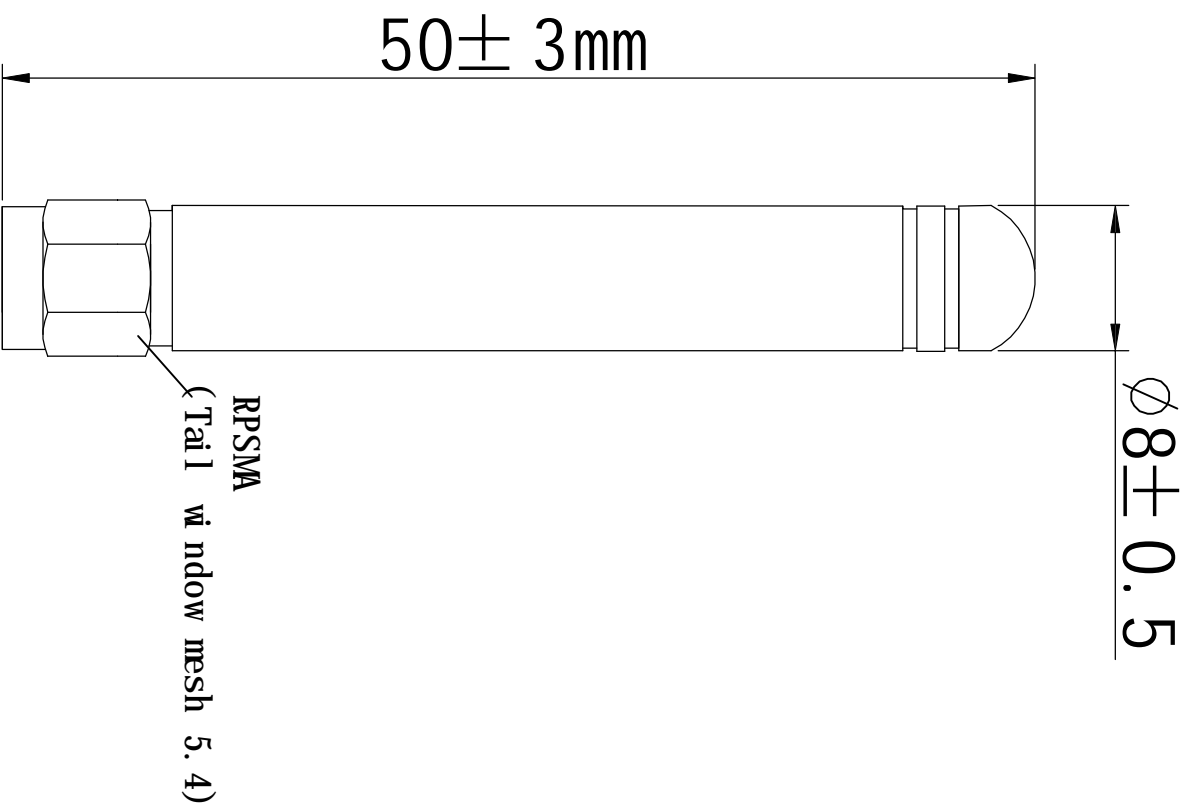


Performance Parameters	
Product name	Cellular Antennas
Model Type	RPSMAJ-50
Frequency Range	850/900/1800/1900/2100MHZ
Vswr	≤ 2.5
Gain	1.0DBi
Impedance	50 OHM
Polarization	Vertical
Radiation	OMNIDIRECTIONAL
Max power	50 W
Connector	RPSMA
Dimensions	50mm * 8mm
Shell material	ABS
Installation	Screw
Temperature	-40° -- 80°
Weight	10 ±3g

ALL DIMENSIONS ARE IN MILLIMETERS AND [INCHES] Unit:mm

THIRD ANGLE PROJECTION	
TOLERANCE UNLESS OTHERWISE SPECIFIED	
.X	±0.25
.XX	±0.20
UNIT	mm
SCALE	free
REV.	A
PART NAME RPSMA MALE ANTENNA	
DRAWN BY R.YU	
CHECKED BY JOSON	
APPROVED BY	
DATE 2022-8-29	
PART NO. RPSMAJ-50	
CUSTOMER P/N	

ROHO ROHO COMMUNICATION TECHNOLOGY CO.,LTD



Performance Parameters	
Product name	Cellular Antennas
Model Type	RPSMAJ-50
Frequency Range	850/900/1800/1900/2100MHz
Vswr	≤ 2.5
Gain	1.0DBi
Impedance	50 OHM
Polarization	Vertical
Radiation	OMNIDIRECTIONAL
Max power	50 W
Connector	RPSMA
Dimensions	50mm * 8mm
Shell material	ABS
Installation	Screw
Temperature	-40° -- 80°
Weight	10 ±3g

ALL DIMENSIONS ARE IN MILLIMETERS AND [INCHES] Unit:mm

THIRD ANGLE PROJECTION	
TOLERANCE UNLESS OTHERWISE SPECIFIED	
.X	±0.25
.XX	±0.20
UNIT	mm
SCALE	free
REV.	A

PART NAME		RPSMA MALE ANTENNA	
DRAWN BY	R.YU	RORO ROHO COMMUNICATION TECHNOLOGY CO.,LTD	
CHECKED BY	JOSON	PART NO.	RPSMAJ-50
APPROVED BY		CUSTOMER P/N	
DATE	2022-8-29		