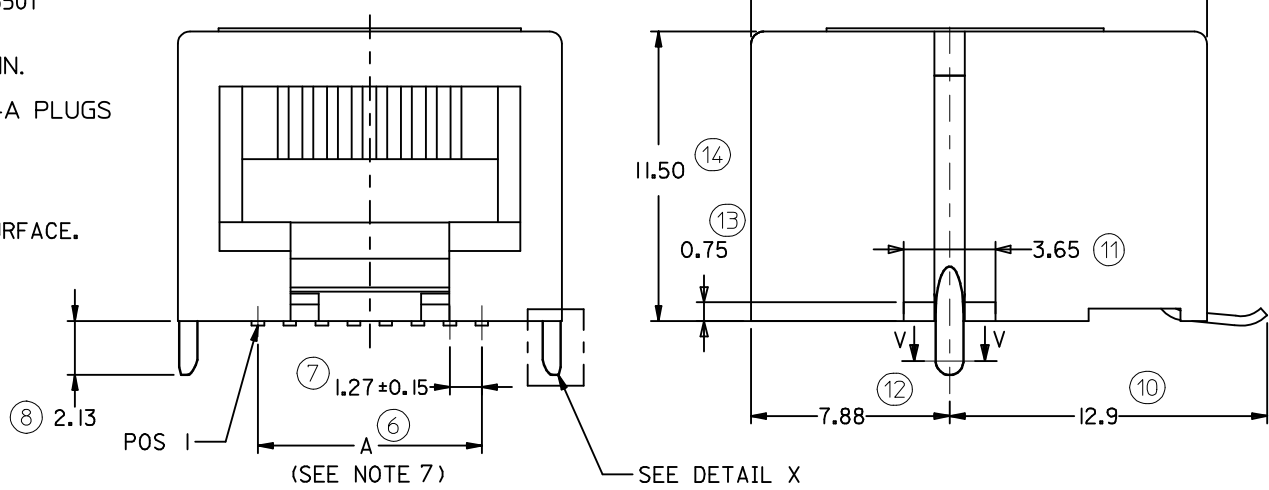
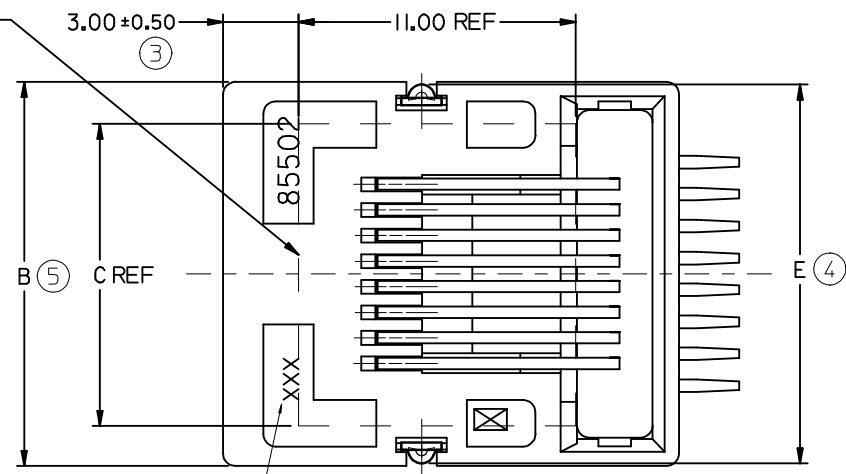
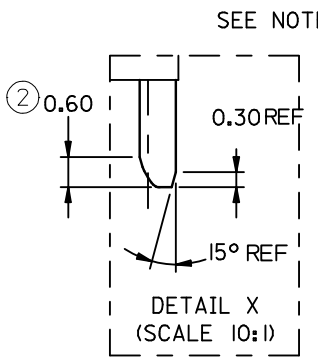
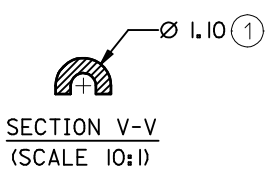


10 9 8 7 6 5 4 3 2 1



**NOTES:**

**1- MATERIAL:**

HOUSING: LCP GLASS FILLED UL 94V0, COLOUR: BLACK

TERMINAL: COPPER ALLOY PLATED WITH:

BASE FINISH: NICKEL

CONTACT SURFACE FINISH:

GOLD

OR

GOLD FLASH OVER PALLADIUM NICKEL.

EXCEEDS PRODUCT REQUIREMENTS BASED ON PS-95501

SOLDER PEGS: COPPER ALLOY PLATED WITH TIN.

2- JACK FOR MATING WITH IEC 60603-7 & TIA-1096-A PLUGS (MOLEX 90075 SERIES).

3- PRODUCT SPECIFICATION: MOLEX PS-95501

4- POLYIMIDE ADHESIVE TAPE FOR PICK & PLACE SURFACE. THICKNESS: 125 µm

5- PACKAGING SPECIFICATION: MOLEX PK-85502. (BLISTER PACKAGING).

6- COPLANARITY OF SIGNAL LEADS: 0.10

7- SEE DIMENSIONS IN CHART ON SHEET 2.

8- P.C. BOARD THICKNESS: 1.57

9- MANUFACTURING I.D. CAN BE EITHER MG, MXF OR MXI.

10- APPLICATION SPEC: AS-85513-001

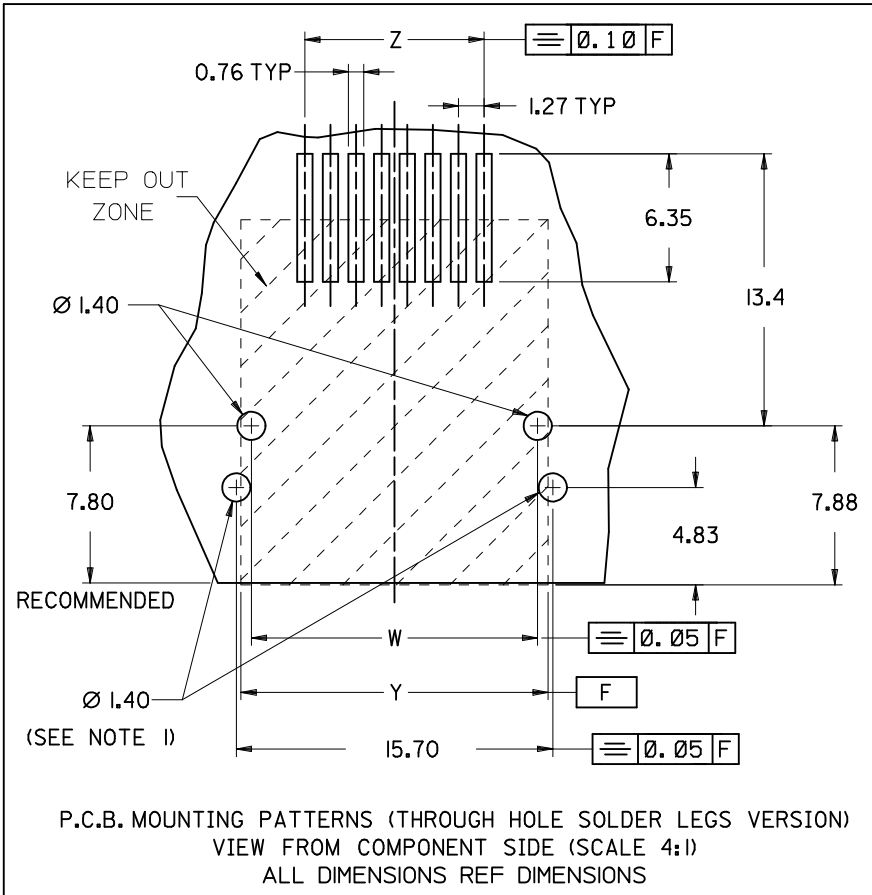
LAST INSPECTION NUMBER: 14

CHANGED PROD SPEC EC NO: IPG2013-0771 DRWN:DBYRNES 2012/11/23 CHKD: APPR:STGRIFFIN 2012/12/13	DESCRIPTION REV	QUALITY SYMBOLS	GENERAL TOLERANCES (UNLESS SPECIFIED)		DIMENSION STYLE MM ONLY		SCALE 5:1	DESIGN UNITS METRIC	THIRD ANGLE PROJECTION	
		▽=0	mm	INCH	DRAWN BY DB	DATE 2006/06/12	TITLE R/A LOW PROFILE P.C.JACK SMT; 4,6 & 8 CKTS WITH THROUGH HOLE SOLDER PEGS			
		∇=0	4 PLACES ± --- ± ---	3 PLACES ± --- ± ---	CHECKED BY EOMAHONY	DATE 2006/06/15	MOLEX MOLEX INCORPORATED			
			2 PLACES ± 0.25 ± ---	1 PLACE ± 0.35 ± ---	APPROVED BY EOMAHONY	DATE 2006/06/15	DOCUMENT NO. SD-85502-103			
ANGULAR ± 2 °			DRAFT WHERE APPLICABLE MUST REMAIN WITHIN DIMENSIONS		MATERIAL NO. SEE CHART SHT 2		SHEET NO. 1 OF 2			
THIS DRAWING CONTAINS INFORMATION THAT IS PROPRIETARY TO MOLEX INCORPORATED AND SHOULD NOT BE USED WITHOUT WRITTEN PERMISSION										

9 8 7 6 5 4 3 2 1

NOTES

- 1 : TWO OPTIONAL HOLES FOR THE 8 POSITION-VERSION FOR THE COMPATIBILITY WITH THE INTERNAL SHIELDED VERSION.
- 2 : PLATING SEE SHEET ONE



HOUSING COLOR	POS 4		POS 6		POS 6		POS 8		
	4 CKTS	TOOLED	4 CKTS	TOOLED	6 CKTS	TOOLED	8 CKTS	TOOLED	
STANDARD VERSION	BLACK	85502-5009	X	85502-5010	X	85502-5011	X	85502-5012	X

TYPE	POS 4	POS 6		POS 8
	4 CKTS	4 CKTS	6 CKTS	8 CKTS
A ±0.15	3.81	3.81	6.35	8.89
B	11.18	13.21	13.21	15.24
C (REF)	8.50	8.50	8.50	12.00
E	11.08	13.11	13.11	15.14
W ±0.05	10.13	12.16	12.16	14.19
Y (REF)	11.18	13.21	13.21	15.24
Z ±0.05	3.81	3.81	6.35	8.89

SEE SHEET 1 EC NO: IPG2012-0691 DRW:DBYRNES 2012/04/02 CHK:DMAHER 2012/04/17 APPR:EFOLAN 2012/06/26	QUALITY SYMBOLS	GENERAL TOLERANCES (UNLESS SPECIFIED)	DIMENSION STYLE	SCALE	DESIGN UNITS	THIRD ANGLE PROJECTION
	▽=0 ◻=0	mm    INCH 4 PLACES ± --- ± --- 3 PLACES ± --- ± --- 2 PLACES ± 0.25 ± --- 1 PLACE ± 0.35 ± --- ANGULAR ± 2 °	MM ONLY	5:1	METRIC	DRAWN BY: DB DATE: 2006/06/12 CHECKED BY: EOMAHONY DATE: 2006/06/15 APPROVED BY: EOMAHONY DATE: 2006/06/15
	D	DRAFT WHERE APPLICABLE MUST REMAIN WITHIN DIMENSIONS	SEE CHART	TITLE		RIGHT ANGLE LOW PROFILE SMT PC JACK WITH THROUGH HOLE SOLDER PEGS MOLEX INCORPORATED
	REV			MATERIAL NO.	DOCUMENT NO.	SHEET NO.