



### 应用领域 Application

- 电源，滤波器，逆变器，电器控制柜等电子设备  
Power supply, filter, inverter, electrical control cabinet and other electronic equipment

### 特性 Features

- 连接牢固可靠 The connection is solid and reliable
- 安装简易方便 Easy to install
- 接线安全性高 High wiring safety
- 抗腐蚀性强 Strong corrosion resistance
- 绝缘外壳牢固耐用，阻燃等级高 The insulation shell is firm and durable, with a high flame retardant grade
- 良好的电气性能和机械性能 Good electrical performance and mechanical properties
- 防护等级高 High level of protection
- 可同时连接四组不同线路，每组可接不同规格导线

Four groups of different lines can be connected at the same time, and each group can be connected with wires of different specifications

# BST-200A-4P穿墙式大电流接线端子

## BST-200A-4P Specification Of Through-Wallterminal products



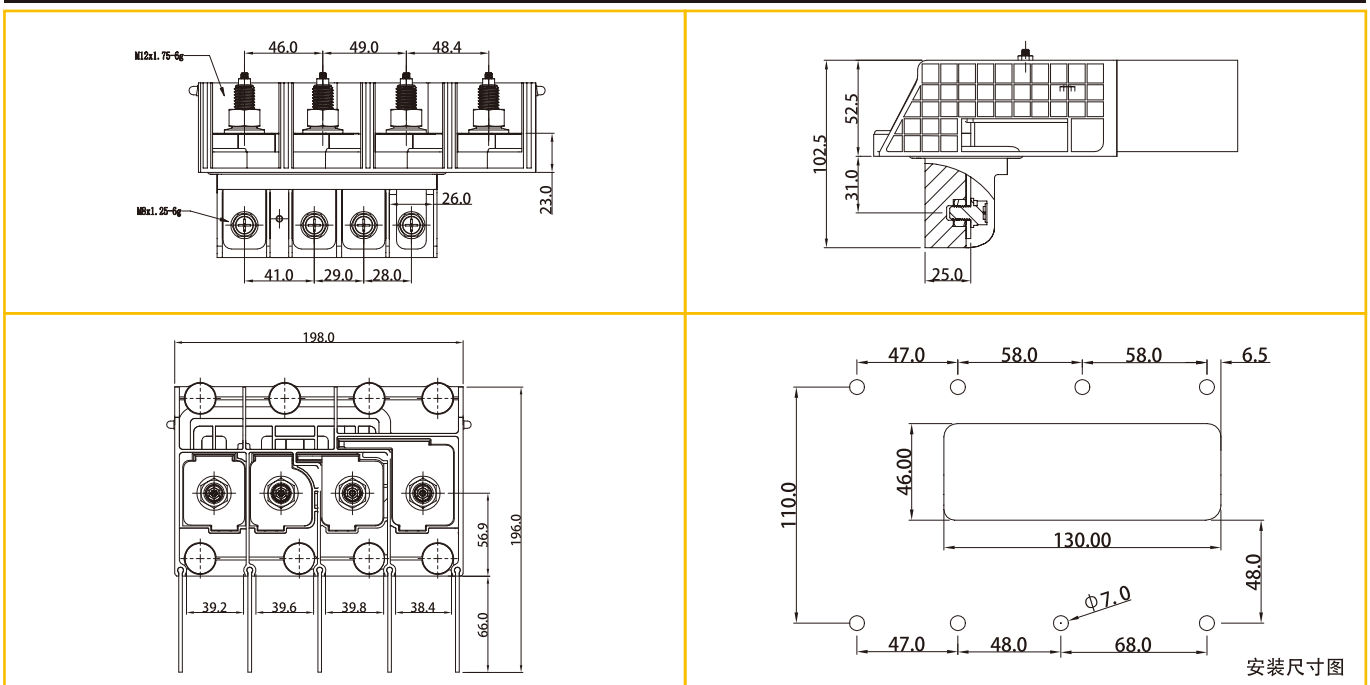
### 材料处理 Material processing

外壳 Shell	尼龙加纤 Nylon and fiber	M12预埋螺栓 M12 Embedded bolt	碳钢、锌镍合金 Carbon steel、Zinc-nickel alloy
导电片A Conductive plate	紫铜、镀雾锡 Red copper、Foized tin	M12螺母 M12 Nut	碳钢、锌镍合金 Carbon steel、Zinc-nickel alloy
导电片B Conductive plate	紫铜、镀雾锡 Red copper、Foized tin	M8螺钉 M8 Screw	碳钢、锌镍合金 Carbon steel、Zinc-nickel alloy
导电片C Conductive plate	紫铜、镀雾锡 Red copper、Foized tin	M8螺母 M8 Nut	碳钢、锌镍合金 Carbon steel、Zinc-nickel alloy
导电片D Conductive plate	紫铜、镀雾锡 Red copper、Foized tin	M4螺母 M4 Nut	碳钢、锌镍合金 Carbon steel、Zinc-nickel alloy
O型圈 O-ring	硅橡胶 Silicone rubber	堵塞头 Plug head	硅橡胶 Silicone rubber
挡板 Fel	硅橡胶 Silicone rubber		

### 技术参数 Technical parameter

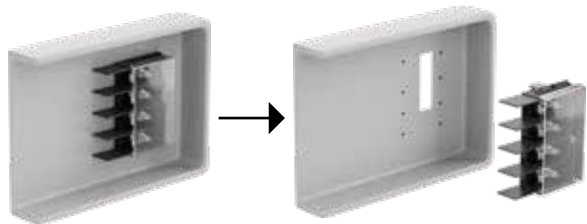
产品标准 Product standard	IEC 60309 GB / T14048.7 UL1059	配合端正位置 Pin offset	±0.15mm Max
颜色 Color	黑色 Black RAL900	产品盐雾测试 Product salt spray test	满足240h中性盐雾测试，满足ISO12944检验标准 Meet the 240h neutral salt spray test and meet the ISO12944 test standard
额定电流 Rated current	200A		
额定电压 Rated voltage	AC1500V		
绝缘耐压 Dielectric withstand voltage	AC3500,1Min	接线范围 Wiring range	M12 (50-240mm <sup>2</sup> ) M8 (35-95mm <sup>2</sup> ) M4 (2.5-10mm <sup>2</sup> )
绝缘材料 Insulation material	PA		
阻燃等级 Flame retardant grade	UL94 V-0	扭矩 Torque	M12 (40-70Nm) M8 (12-30Nm) M4 (1.2-3Nm)
防护等级 Level of protection	IP67		
环保属性 Pollution level	ROHS, REACH	温度冲击 Thermal shock	EIA-364-32,Method A, -55°C (30 Min) , +85°C (30 Min) ; 零件无损伤 No damage to parts
工作温度 Working temperature	-40°C to 105°C		
绝缘电阻 Insulation resistance	1500MΩ		

### 外形尺寸 Outline dimension



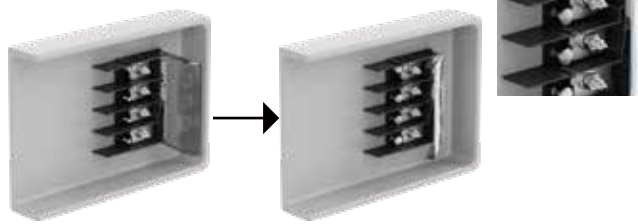
在开始安装前，请仔细阅读所有说明。  
Please read all instructions carefully before installation.

1



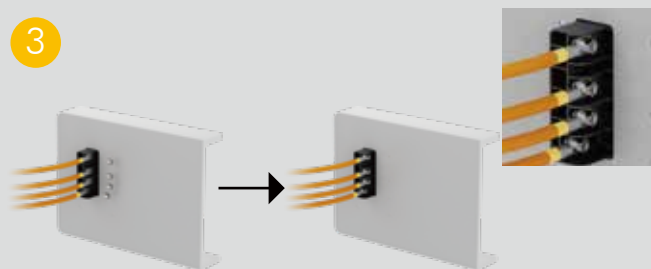
将端子安装进面板上矩形预留孔内，与面板贴平。  
Install the terminals into the rectangular reservation on the panel to level the panel.

2



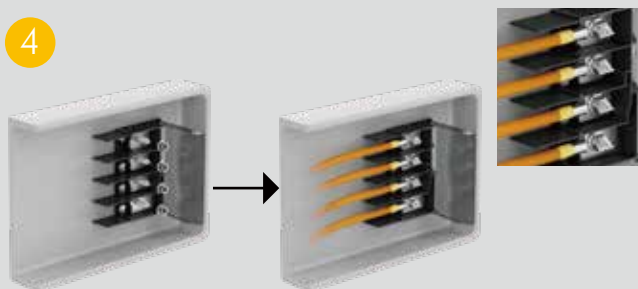
将6个M6的螺丝分别通过装配孔固定在面板上，最后按堵塞头按进孔内。  
Attach the 6 M6 screws to the panel through the assembly hole, and finally press the plug head into the hole.

3

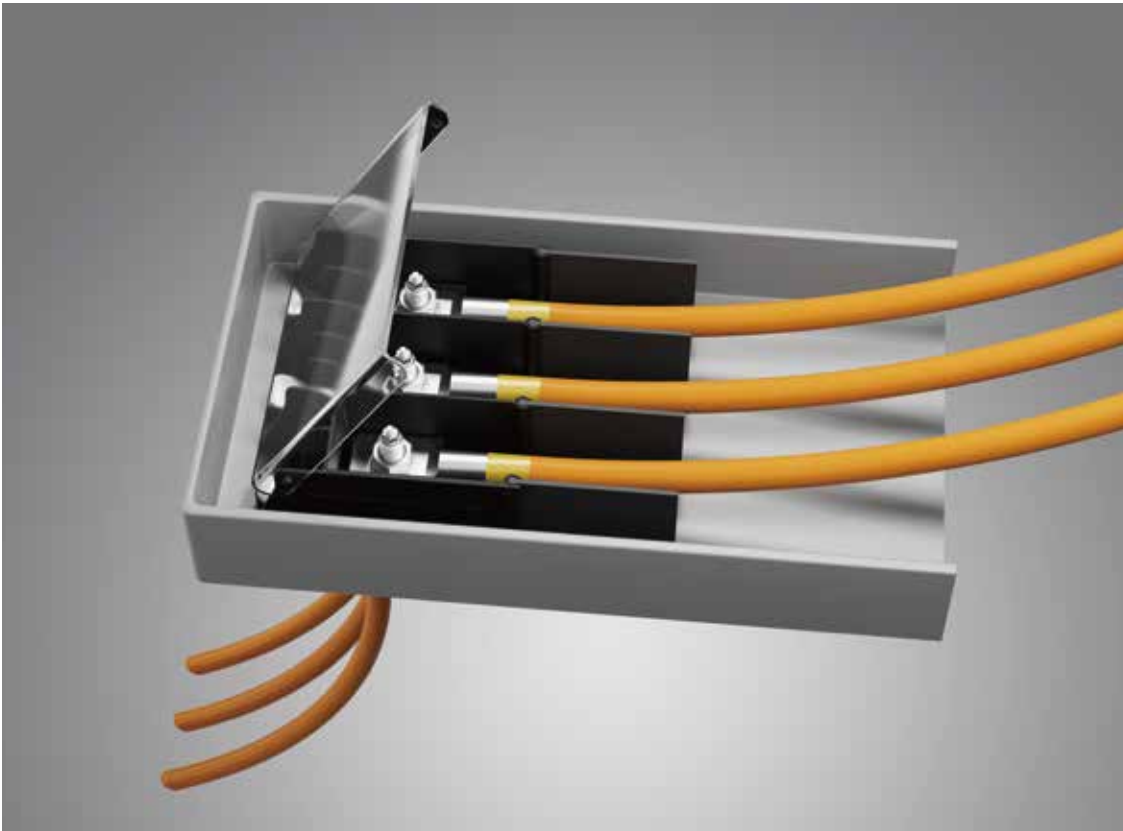


接线时用十字螺丝刀将M8十字螺丝逆时针依次拧出，将线束接入，最后使用扭力扳手将螺母拧紧至标准安装扭力。  
Turn the M8 cross screw counterclockwise with the cross screwdriver, connect the wiring harness, and finally tighten the nut to the standard installation torque using the torque wrench.

4



接线时将M12螺母逆时针依次拧出，将线束接入螺栓至底部，最后拧入螺母使用扭力扳手将螺母拧紧至标准安装扭力。  
Turn the M12 nut counterclockwise, connect the harness to the bolt to the bottom, finally screw in the nut and use the torque wrench to tighten the nut to the standard installation torque.



### 应用领域 Application

- 电源，滤波器，逆变器，电器控制柜等电子设备  
Power supply, filter, inverter, electrical control cabinet and other electronic equipment

### 特性 Features

- 连接牢固可靠 The connection is solid and reliable
- 安装简易方便 Easy to install
- 接线安全性高 High wiring safety
- 抗腐蚀性强 Strong corrosion resistance
- 绝缘外壳牢固耐用，阻燃等级高 The insulation shell is firm and durable, with a high flame retardant grade
- 良好的电气性能和机械性能 Good electrical performance and mechanical properties
- 防护等级高 High level of protection
- 可同时连接三组不同线路，每组可接不同规格导线  
Three group of different lines can be connected at the same time, and each group can be connected with wires of different specificatinos

# BST-200A-3P穿墙式大电流接线端子

## BST-200A-3P Specification Of Through-Wallterminal products



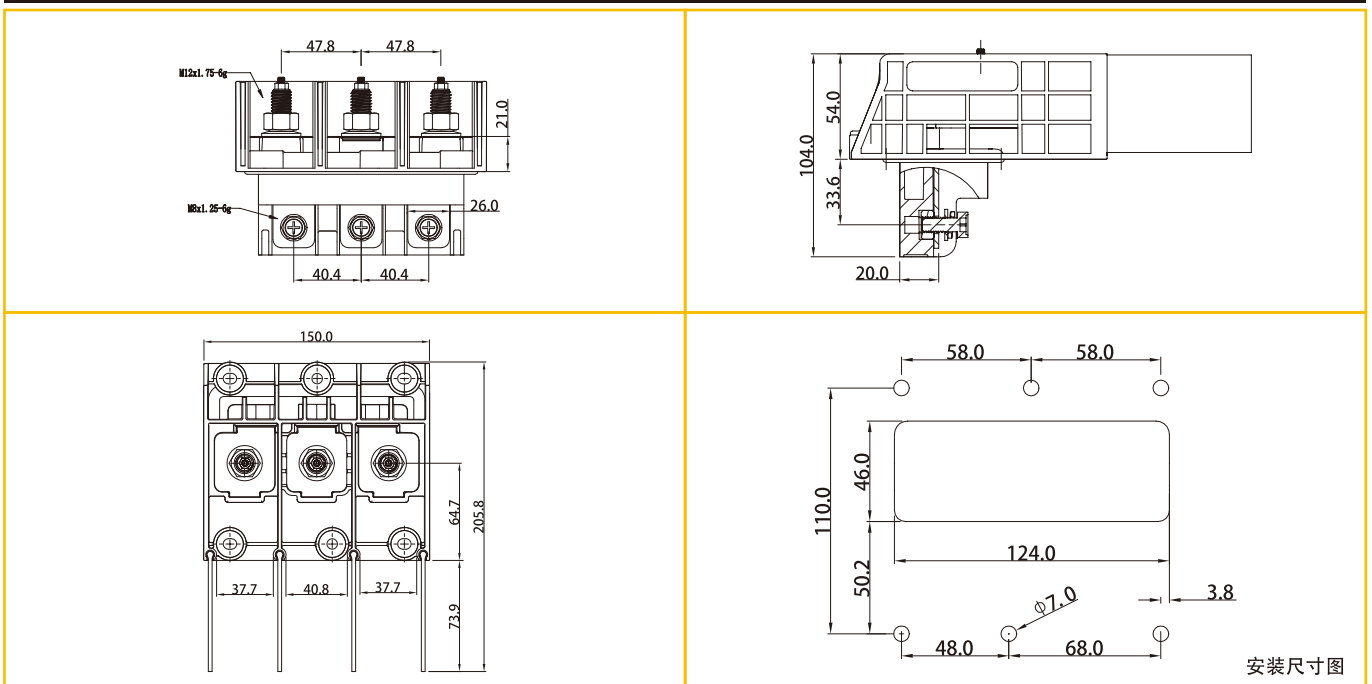
### 材料处理 Material processing

外壳 Shell	尼龙加纤 Nylon and fiber	M12预埋螺栓 M12 Embedded bolt	碳钢、锌镍合金 Carbon steel、Zinc-nickel alloy
左导电片 Left conductive plate	紫铜、镀雾锡 Red copper、Foized tin	M12螺母 M12 Nut	碳钢、锌镍合金 Carbon steel、Zinc-nickel alloy
中导电片 Medium conductive sheet	紫铜、镀雾锡 Red copper、Foized tin	M8螺钉 M8 Screw	碳钢、锌镍合金 Carbon steel、Zinc-nickel alloy
右导电片 Right conductive plate	紫铜、镀雾锡 Red copper、Foized tin	M8螺母 M8 Nut	碳钢、锌镍合金 Carbon steel、Zinc-nickel alloy
O型圈 O-ring	硅橡胶 Silicone rubber	M4螺母 M4 Nut	碳钢、锌镍合金 Carbon steel、Zinc-nickel alloy
挡板 Fel	硅橡胶 Silicone rubber	堵塞头 Plug head	硅橡胶 Silicone rubber

### 技术参数 Technical parameter

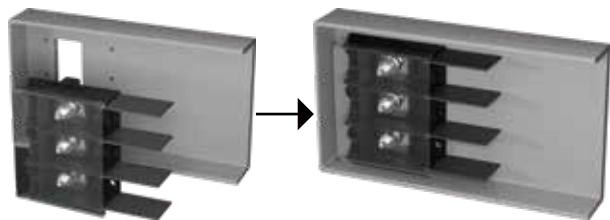
产品标准 Product standard	IEC 60309 GB / T14048.7 UL1059	配合端正位置 Pin offset	±0.15mm Max
颜色 Color	黑色 Black RAL900	产品盐雾测试 Product salt spray test	满足240h中性盐雾测试，满足ISO12944检验标准 Meet the 240h neutral salt spray test and meet the ISO12944 test standard
额定电流 Rated current	250A		
额定电压 Rated voltage	AC 800~1500V		
绝缘耐压 Dielectric withstand voltage	AC3000,1Min	接线范围 Wiring range	M12 (50-240mm <sup>2</sup> ) M8 (35-95mm <sup>2</sup> ) M4 (2.5-10mm <sup>2</sup> )
绝缘材料 Insulation material	PA	扭矩 Torque	M12 (40-70Nm) M8 (12-30Nm) M4 (1.2-3Nm)
阻燃等级 Flame retardant grade	UL94 V-0		
防护等级 Level of protection	IP66		
环保属性 Pollution level	ROHS, REACH	温度冲击 Thermal shock	EIA-364-32,Method A, -55°C (30 Min) , +85°C (30 Min) ; 零件无损伤 No damage to parts
工作温度 Working temperature	-40°C to 120°C		
绝缘电阻 Insulation resistance	1500MΩ		

### 外形尺寸 Outline dimension



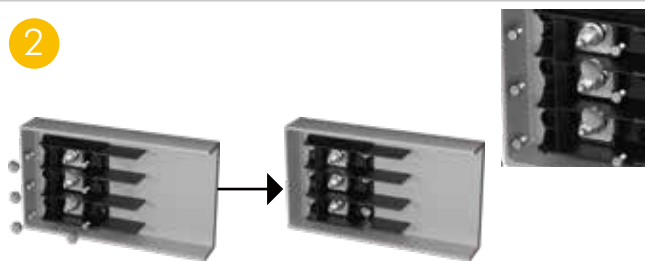
在开始安装前，请仔细阅读所有说明。  
Please read all instructions carefully before installation.

1



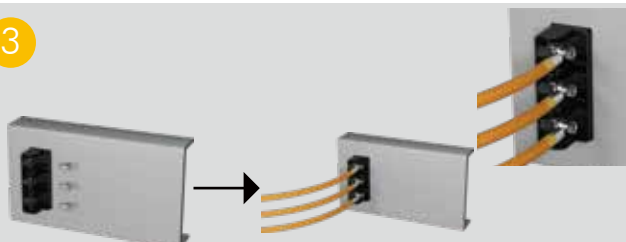
将端子安装进面板上矩形预留孔内，与面板贴平。  
Install the terminals into the rectangular reservation on the panel to level the panel.

2



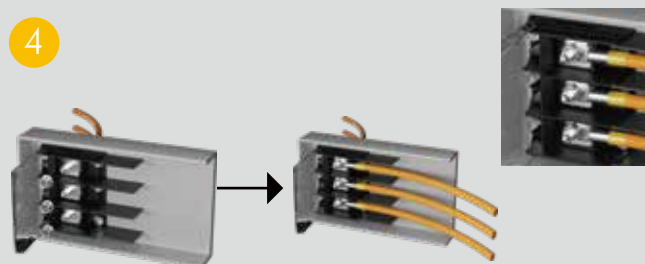
将6个M6的螺丝分别通过装配孔固定在面板上，最后按堵塞头按进孔内。  
Attach the 6 M6 screws to the panel through the assembly hole, and finally press the plug head into the hole.

3



接线时用十字螺丝刀将M8十字螺丝逆时针依次拧出，将线束接入，最后使用扭力扳手将螺母拧紧至标准安装扭力。  
Turn the M8 cross screw counterclockwise with the cross screwdriver, connect the wiring harness, and finally tighten the nut to the standard installation torque using the torque wrench.

4



接线时将M12螺母逆时针依次拧出，将线束接入螺栓至底部，最后拧入螺母使用扭力扳手将螺母拧紧至标准安装扭力。  
Turn the M12 nut counterclockwise, connect the harness to the bolt to the bottom, finally screw in the nut and use the torque wrench to tighten the nut to the standard installation torque.



### 应用领域 Application

- 电源，滤波器，逆变器，电器控制柜等电子设备  
Power supply, filter, inverter, electrical control cabinet and other electronic equipment

### 特性 Features

- 连接牢固可靠 The connection is solid and reliable
- 安装简易方便 Easy to install
- 接线安全性高 High wiring safety
- 抗腐蚀性强 Strong corrosion resistance
- 绝缘外壳牢固耐用，阻燃等级高 The insulation shell is firm and durable, with a high flame retardant grade
- 良好的电气性能和机械性能 Good electrical performance and mechanical properties
- 防护等级高 High level of protection
- 可同时连接三组不同线路，每组可接不同规格导线  
Three group of different lines can be connected at the same time, and each group can be connected with wires of different specificatinos

# BST-300A-3P穿墙式大电流接线端子

## BST-300A-3P Specification Of Through-Wallterminal products



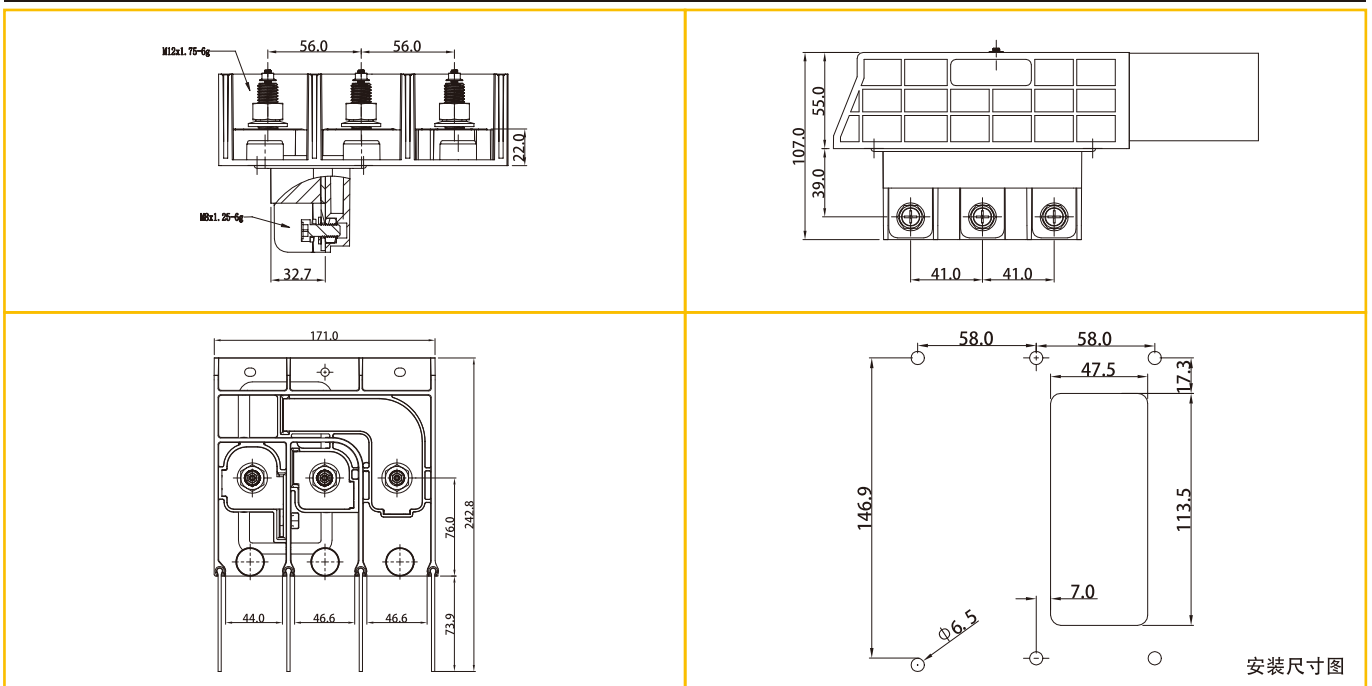
### 材料处理 Material processing

外壳 Shell	尼龙加纤 Nylon and fiber	M12预埋螺栓 M12 Embedded bolt	碳钢、锌镍合金 Carbon steel、Zinc-nickel alloy
左导电片 Left conductive plate	紫铜、镀雾锡 Red copper、Foized tin	M12螺母 M12 Nut	碳钢、锌镍合金 Carbon steel、Zinc-nickel alloy
中导电片 Medium conductive sheet	紫铜、镀雾锡 Red copper、Foized tin	M8螺钉 M8 Screw	碳钢、锌镍合金 Carbon steel、Zinc-nickel alloy
右导电片 Right conductive plate	紫铜、镀雾锡 Red copper、Foized tin	M8螺母 M8 Nut	碳钢、锌镍合金 Carbon steel、Zinc-nickel alloy
O型圈 O-ring	硅橡胶 Silicone rubber	M4螺母 M4 Nut	碳钢、锌镍合金 Carbon steel、Zinc-nickel alloy
挡板 Fel	硅橡胶 Silicone rubber	堵塞头 Plug head	硅橡胶 Silicone rubber

### 技术参数 Technical parameter

产品标准 Product standard	IEC 60309 GB / T14048.7 UL1059	配合端正位度 Pin offset	±0.15mm Max
颜色 Color	黑色 Black RAL900	产品盐雾测试 Product salt spray test	满足240h中性盐雾测试，满足ISO12944检验标准 Meet the 240h neutral salt spray test and meet the ISO12944 test standard
额定电流 Rated current	250A		
额定电压 Rated voltage	AC 800~1500V		
绝缘耐压 Dielectric withstand voltage	AC3000,1Min	接线范围 Wiring range	M12 (50-240mm <sup>2</sup> ) M8 (35-95mm <sup>2</sup> ) M4 (2.5-10mm <sup>2</sup> )
绝缘材料 Insulation material	PA		
阻燃等级 Flame retardant grade	UL94 V-0	扭矩 Torque	M12 (40-70Nm) M8 (12-30Nm) M4 (1.2-3Nm)
防护等级 Level of protection	IP66		
环保属性 Pollution level	ROHS, REACH	温度冲击 Thermal shock	EIA-364-32,Method A, -55°C (30 Min) , +85°C (30 Min) ; 零件无损伤 No damage to parts
工作温度 Working temperature	-40°C to 120°C		
绝缘电阻 Insulation resistance	1500MΩ		

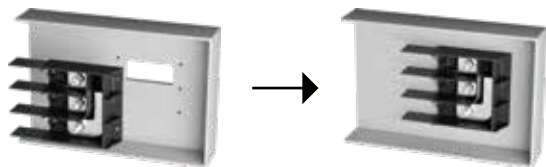
### 外形尺寸 Outline dimension





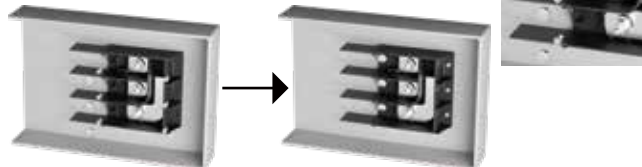
在开始安装前，请仔细阅读所有说明。  
Please read all instructions carefully before installation.

1



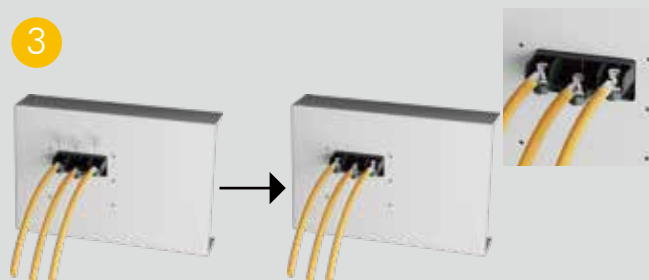
将端子安装进面板上矩形预留孔内，与面板贴平。  
Install the terminals into the rectangular reservation on the panel to level the panel.

2



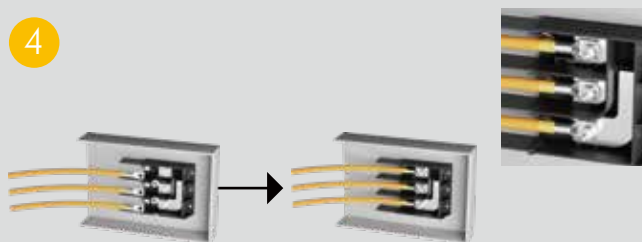
将6个M6的螺丝分别通过装配孔固定在面板上，最后按堵塞头按进孔内。  
Attach the 6 M6 screws to the panel through the assembly hole, and finally press the plug head into the hole.

3



接线时用十字螺丝刀将M8十字螺丝逆时针依次拧出，将线束接入，最后使用扭力扳手将螺母拧紧至标准安装扭力。  
Turn the M8 cross screw counterclockwise with the cross screwdriver, connect the wiring harness, and finally tighten the nut to the standard installation torque using the torque wrench.

4



接线时将M12螺母逆时针依次拧出，将线束接入螺栓至底部，最后拧入螺母使用扭力扳手将螺母拧紧至标准安装扭力。  
Turn the M12 nut counterclockwise, connect the harness to the bolt to the bottom, finally screw in the nut and use the torque wrench to tighten the nut to the standard installation torque.



### 应用领域 Application

- 电源，滤波器，逆变器，电器控制柜等电子设备  
Power supply, filter, inverter, electrical control cabinet and other electronic equipment

### 特性 Features

- 连接牢固可靠 The connection is solid and reliable
- 安装简易方便 Easy to install
- 接线安全性高 High wiring safety
- 抗腐蚀性强 Strong corrosion resistance
- 绝缘外壳牢固耐用，阻燃等级高 The insulation shell is firm and durable, with a high flame retardant grade
- 良好的电气性能和机械性能 Good electrical performance and mechanical properties
- 防护等级高 High level of protection
- 可同时连接五组不同线路，每组可接不同规格导线

Five group of different lines can be connected at the same time, and each group can be connected with wires of different specificatinos

# BST-150A-5P穿墙式大电流接线端子

BST-150A-5P Specification Of Through-Wallterminal products



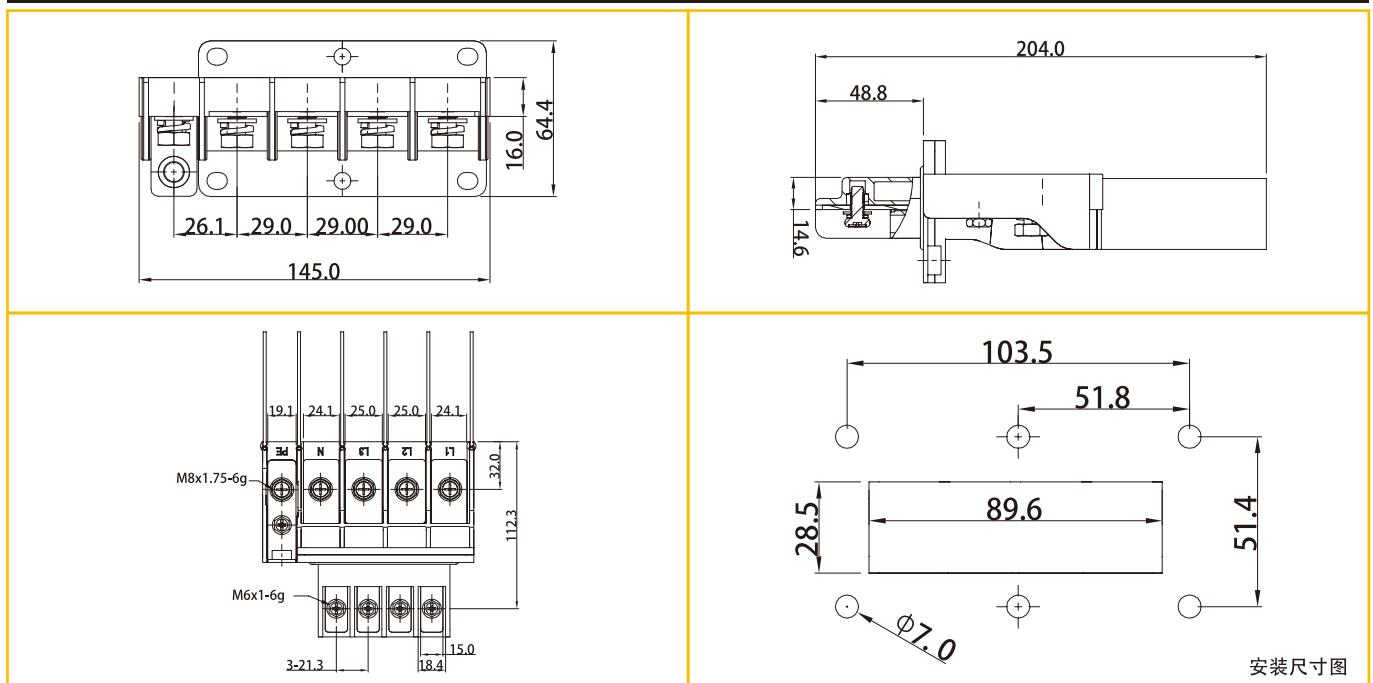
## 材料处理 Material processing

外壳 Shell	尼龙加纤 Nylon and fiber	挡板 Fel	硅橡胶 Silicone rubber
导电片A Conductive plate	紫铜、镀雾锡 Red copper、Foized tin	M8螺钉 M8 Screw	碳钢、锌镍合金 Carbon steel、Zinc-nickel alloy
导电片B Conductive plate	紫铜、镀雾锡 Red copper、Foized tin	M8预埋螺母 M8 Embedded nut	不锈钢、钝化处理 Stainless steel、Passivation treatment
导电片C Conductive plate	紫铜、镀雾锡 Red copper、Foized tin	M6螺钉 M6 Screw	碳钢、锌镍合金 Carbon steel、Zinc-nickel alloy
导电片D Conductive plate	紫铜、镀雾锡 Red copper、Foized tin	M6螺母 M6 Nut	碳钢、锌镍合金 Carbon steel、Zinc-nickel alloy
导电片E Conductive plate	紫铜、镀雾锡 Red copper、Foized tin	堵塞头 Plug head	硅橡胶 Silicone rubber
矩形垫圈 Rectangular washer	硅橡胶 Silicone rubber		

## 技术参数 Technical parameter

产品标准 Product standard	IEC 60309 GB / T14048.7 UL1059	绝缘电阻 Insulation resietance	1500MΩ
颜色 Color	黑色 Black RAL900	产品盐雾测试 Product salt spray test	满足240h中性盐雾测试，满足ISO12944检验标准 Meet the 240h neutral salt spray test and meet the ISO12944 test standard
额定电流 Rated current	150A		
额定电压 Rated voltage	AC 500V		
绝缘耐压 Dielectric withstand voltage	AC3000,1Min	接线范围 Wiring range	M8 (35-95mm <sup>2</sup> ) M6 (16-35mm <sup>2</sup> )
绝缘材料 Insulation material	PA+25%GF		
阻燃等级 Flame retardant grade	UL94 V-0	扭矩 Torque	M8 (12-30Nm) M6 (4-8Nm)
防护等级 Level of protection	IP66		
环保属性 Pollution level	ROHS, REACH	温度冲击 Thermal shock	EIA-364-32,Method A, -55°C (30 Min) , +85°C (30 Min) ; 零件无损伤 No damage to parts
工作温度 Working temperature	-40°C to 120°C		

## 外形尺寸 Outline dimension



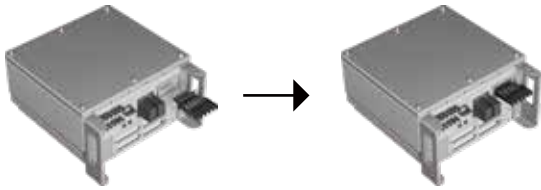
## 安装作业指导

Installation operation guidance



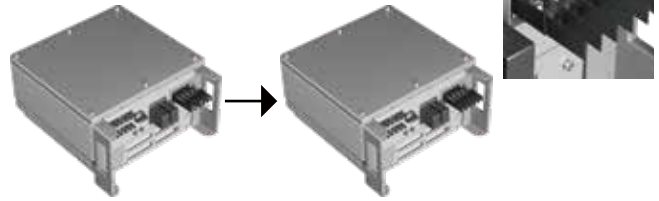
在开始安装前，请仔细阅读所有说明。  
Please read all instructions carefully before installation.

1



将端子安装进面板上矩形预留孔内，与面板贴平。  
Install the terminals into the rectangular reservation on the panel to level the panel.

2

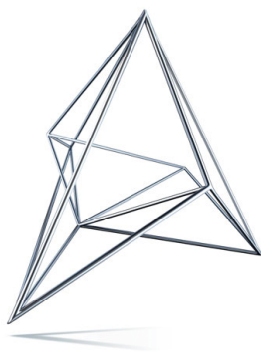


将6个M6的螺丝分别通过装配孔固定在面板上。  
Attach the 6 M6 screws to the panel through the assembly hole.

3



接线时用十字螺丝刀将M6十字螺丝逆时针依次拧出，将线束接入，最后使用扭力扳手将螺母拧紧至标准安装扭力。  
Turn the M6 cross screw counterclockwise with the cross screwdriver, connect the wiring harness, and finally tighten the nut to the standard installation torque using the torque wrench.



# Symmetron

МОСКВА  
Ленинградское ш., д. 69, к. 1  
Тел.: +7 495 961-20-20  
moscow@symmetron.ru

САНКТ-ПЕТЕРБУРГ  
ул. Таллинская, д. 7  
Тел.: +7 812 449-40-00  
spb@symmetron.ru

НОВОСИБИРСК  
ул. Блюхера, д. 716  
Тел.: +7 383 361-34-24  
sibir@symmetron.ru

[www.symmetron.ru](http://www.symmetron.ru)