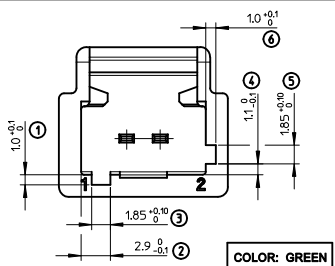
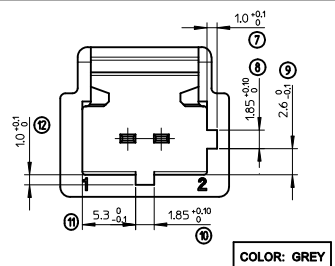


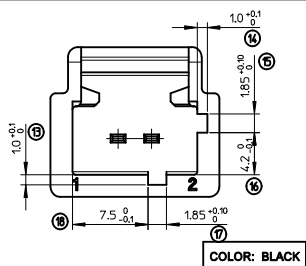
CODINGS



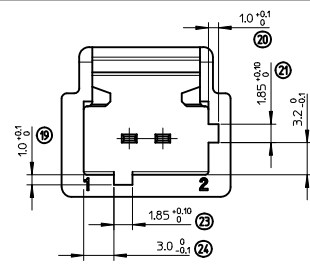
COLOR: GREEN



COLOR: GREY

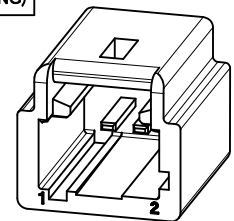


COLOR: BLACK

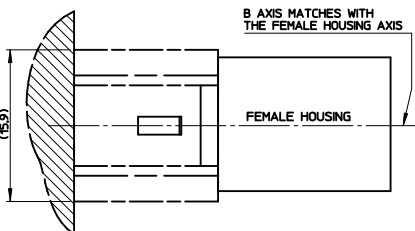
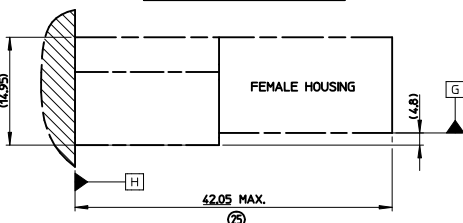


COLOR: WHITE

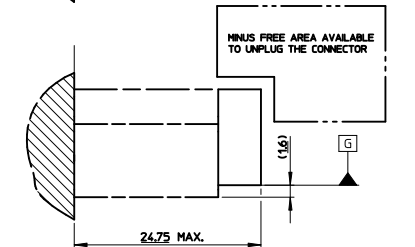
**ISO VIEW
(GREEN CODING)**



OVERALL DIMENSIONS



B AXIS MATCHES WITH THE FEMALE HOUSING AXIS

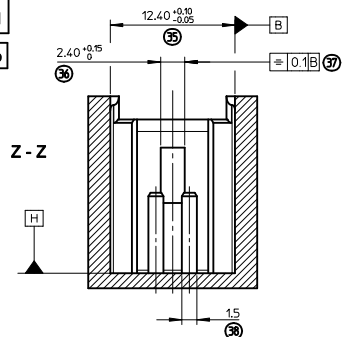
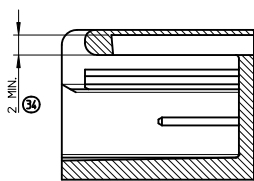


MINUS FREE AREA AVAILABLE TO UNPLUG THE CONNECTOR

HEADER'S DEFINITION

GREEN CODING REPRESENTED

X - X
VARIABLE



NOTES:

MALE TERMINALS:

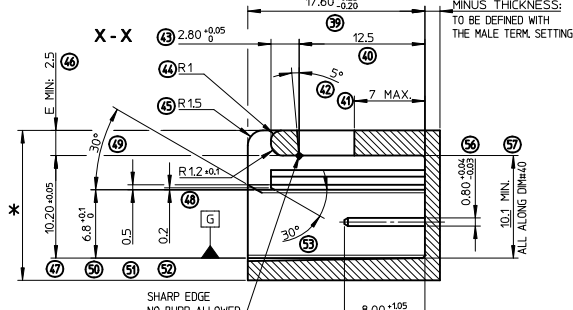
- MALE TERMINALS RESISTANCE: 100N MIN IN MALE TERM. AXIS.
- MATERIAL: COPPER, COPPER ALLOY OR BRASS.
- FINISHES: TIN PLATED 2μ MIN.

HEADER:

- RADIUS WITHOUT DIM: R=0.3MM
- E MIN: MINIMUM MATERIAL THICKNESS RECOMMENDED FOR SPECIFIED MATERIAL
- MATERIAL: PBT (RECOMMENDED) (70)
- * WARPING: 0.35MM MAX. ACCEPTED ON "*" DIM. WITH ANOTHER EXTERNAL SHAPE AS DRAWN WHEN PLUGGED.

MATES WITH:

- MOLEX CONNECTORS 9887-102X

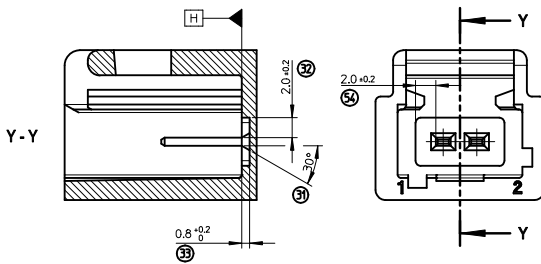


MINUS THICKNESS: TO BE DEFINED WITH THE MALE TERM. SETTING

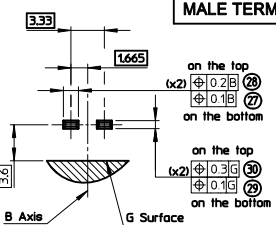
SHARP EDGE NO BURR ALLOWED

ALL ALONG DIM#40

MALE TERMINALS VARIABLE SETTING



MALE TERMINALS SETTING



on the top (x2) 0.2 (50) 0.1 (51)

on the bottom 0.3 (52) 0.2 (53) 0.1 (54)

B Axis G Surface

REV.	1	71		
	FIRST	LAST	DELETED	SUPERSEDED

QUALITY SYMBOLS	GENERAL TOLERANCES (UNLESS SPECIFIED)	
	mm	INCH
▽	4 PLACES ±	±
▽	3 PLACES ±	±
▽	2 PLACES ±	±0.1
▽	1 PLACE ±	±0.1
▽	0 PLACE ±	±
▽	ANGULAR ± 2°	

DIMENSION STYLE		SCALE	DESIGN UNITS	FIRST ANGLE PROJECTION
MM ONLY		4:1	METRIC	☑

DATE	BY	CHECKED BY	DATE	DATE	DATE
2012/04/18	GDESBRUERES	JDUCLIOS	2012/04/18	2012/04/18	2012/04/23

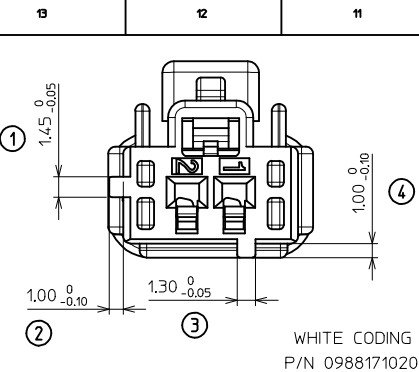
2W INTERFACE 15 TERM. (FOR FEMALE HOUSING)

molex

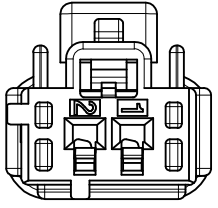
SD-98815-002

SHEET NO. 1 OF 1

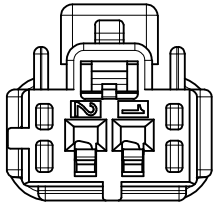
THIS DRAWING CONTAINS INFORMATION THAT IS PROPRIETARY TO MOLEX INCORPORATED AND SHOULD NOT BE USED WITHOUT WRITTEN PERMISSION



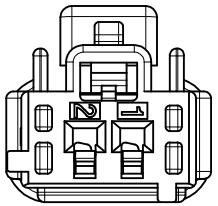
WHITE CODING
P/N 0988171020



BLACK CODING
P/N 0988171021



GREY CODING
P/N 0988171028

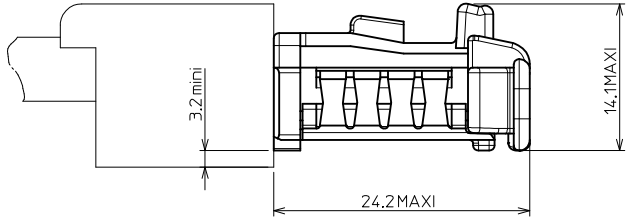
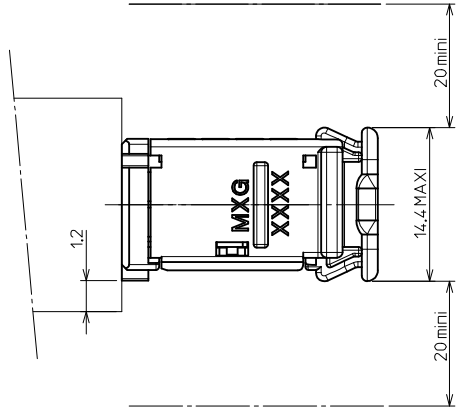


GREEN CODING
P/N 0988171025

CODING 4:1

HANDLING AREA

AREA REQUIRED TO MATE AND UNMATE THE CONNECTOR



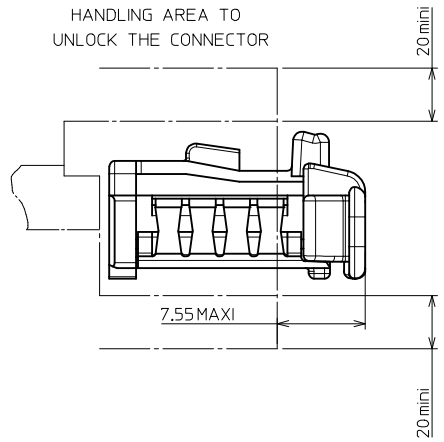
NOTE : 1 - The using conditions of the hinge are shown in the MOLEX specification n°AS-98821-001.

- 2 - Female terminal used : SCC RCPT TERM 1.5mm
 - Range 1 : 0988971109 (0.22 mm² to 2x0.22 mm²)
 - Range 2 : 0988971119 (0.5 mm² to 1 mm² included)
 - Range 3 : 0988971129 (2x0.5 mm² to 2 mm² included)

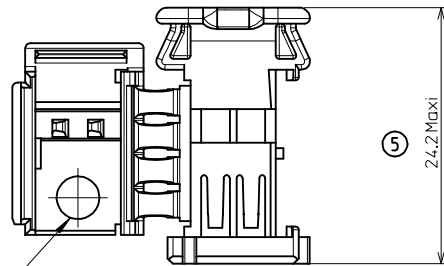
3 - Female connector will mate with male connector P/N 098822102x.

AREA REQUIRED WHEN THE CONNECTOR IS MATED

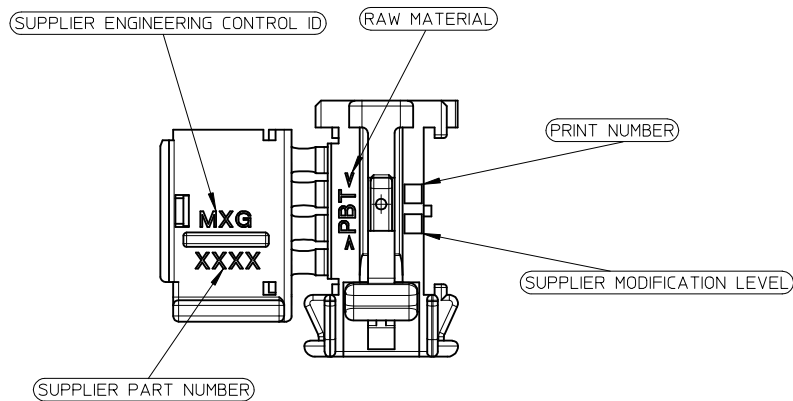
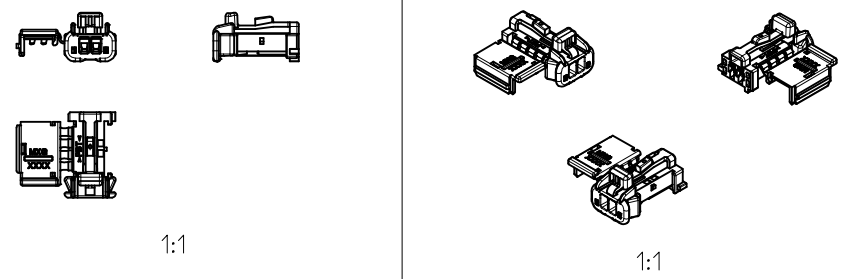
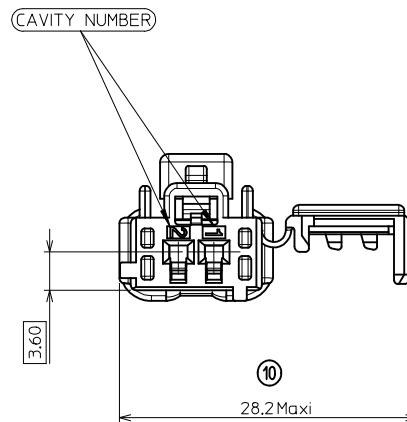
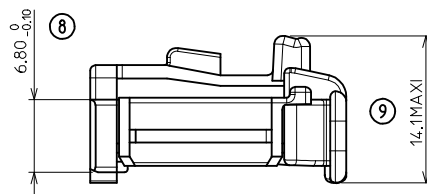
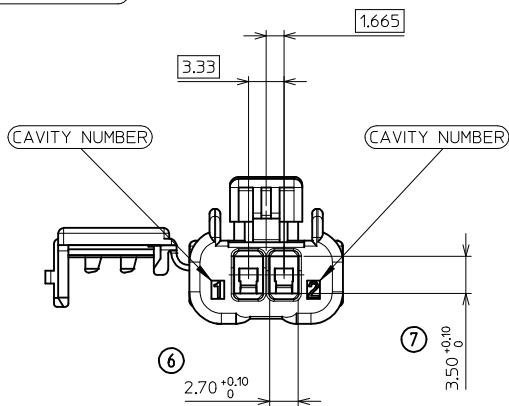
HANDLING AREA TO UNLOCK THE CONNECTOR



FIRST RELEASE EC NO: G2007-0386 DRAWN: LPOUCHAUD 2008/03/10 CHKD: YIGEL 2008/03/10 APPR: LSTICKEIR 2008/03/10	DESCRIPTION REV A	GENERAL TOLERANCES (UNLESS SPECIFIED)		DIMENSION STYLE MM ONLY	SCALE 3:1	DESIGN UNITS METRIC	THIRD ANGLE PROJECTION															
		<table border="1"> <thead> <tr> <th></th> <th>mm</th> <th>INCH</th> </tr> </thead> <tbody> <tr> <td>4 PLACES</td> <td>± 0.1</td> <td>± 0.004</td> </tr> <tr> <td>3 PLACES</td> <td>± 0.15</td> <td>± 0.006</td> </tr> <tr> <td>2 PLACES</td> <td>± 0.2</td> <td>± 0.008</td> </tr> <tr> <td>1 PLACE</td> <td>± 0.3</td> <td>± 0.012</td> </tr> </tbody> </table>		mm	INCH	4 PLACES	± 0.1	± 0.004	3 PLACES	± 0.15	± 0.006	2 PLACES	± 0.2	± 0.008	1 PLACE	± 0.3	± 0.012	DRAWN BY LPOUCHAUD	DATE 2008/01/17	TITLE NSCC RCPT HSG 1.5 2CKT		
			mm	INCH																		
		4 PLACES	± 0.1	± 0.004																		
3 PLACES	± 0.15	± 0.006																				
2 PLACES	± 0.2	± 0.008																				
1 PLACE	± 0.3	± 0.012																				
ANGULAR ± 1°	CHECKED BY YIGEL	DATE 2008/01/17	MOLEX INCORPORATED																			
DRAFT WHERE APPLICABLE MUST REMAIN WITHIN DIMENSIONS	APPROVED BY LSTICKEIR	DATE 2008/01/25	MATERIAL NO. SEE CHART	DOCUMENT NO. SD-98817-001	SHEET NO. 1 OF 2																	
THIS DRAWING CONTAINS INFORMATION THAT IS PROPRIETARY TO MOLEX INCORPORATED AND SHOULD NOT BE USED WITHOUT WRITTEN PERMISSION																						



DATUM MONTH/YEAR



GREEN CODING (P/N 0988171025) IS SHOWN.

NSCC Rcpt Hsg 1.5 2CKT	0988171028	Grey	POLYESTER (PBT)	1.723 g			
	0988171025	Green					
	0988171021	Black					
	0988171020	White					
Description	Part-Number	Color	Raw Material	Weight effective			
FIRST RELEASE EC NO: G2007-0386 DRWN: LPOUCHAUD 2008/03/10 CHKD: YIGEL 2008/03/10 APPR: LSTICKEIR 2008/03/10	QUALITY SYMBOLS 	GENERAL TOLERANCES (UNLESS SPECIFIED)		DIMENSION STYLE	SCALE	DESIGN UNITS	THIRD ANGLE PROJECTION
		4 PLACES ± --- ± --- 3 PLACES ± --- ± --- 2 PLACES ± 0.05 ± --- 1 PLACE ± 0.1 ± --- ANGULAR ± 1 °	MM ONLY	3:1	METRIC		
A REV	DESCRIPTION	DRAWN BY	DATE	TITLE			
		LPOUCHAUD	2008/01/17	NSCC RCPT HSG 1.5 2CKT			
A REV	DESCRIPTION	CHECKED BY	DATE	MOLEX INCORPORATED			
		YIGEL	2008/01/17	APPROVED BY LSTICKEIR 2008/01/25 MATERIAL NO. SD-98817-001 DOCUMENT NO. SHEET NO. 2 OF 2			
DRAFT WHERE APPLICABLE MUST REMAIN WITHIN DIMENSIONS		SEE CHART		THIS DRAWING CONTAINS INFORMATION THAT IS PROPRIETARY TO MOLEX INCORPORATED AND SHOULD NOT BE USED WITHOUT WRITTEN PERMISSION			