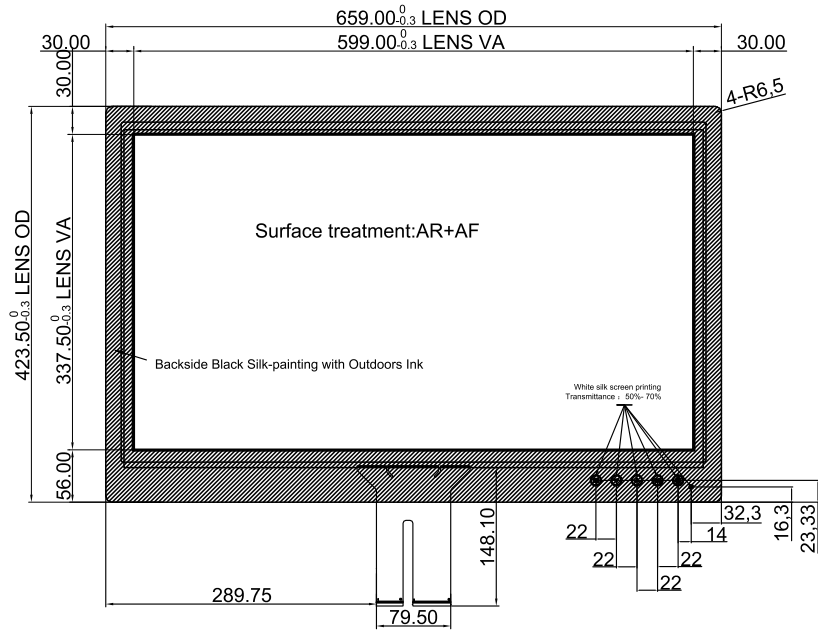
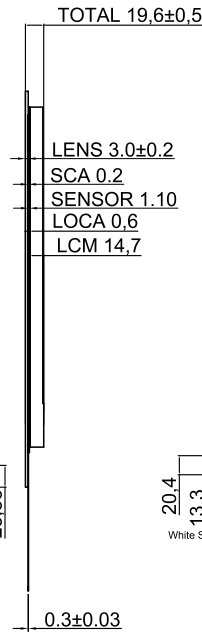


Ver.	Modify No.	Details	Area	P.I.C	Date

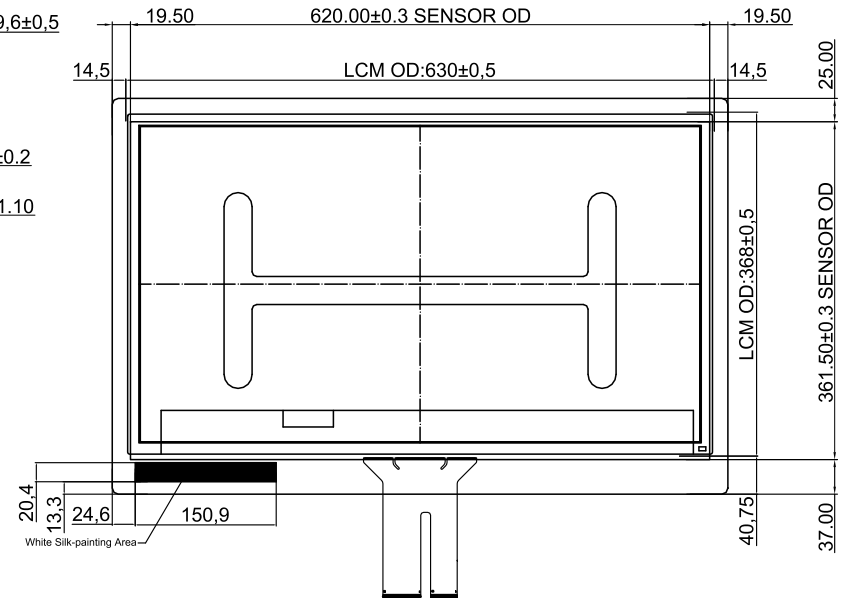
### Front View



### Side View



### Back View



#### Technical Datasheet:

1. Structure: TP+LCM Optical Bonding
2. Controller: BTP-TPM-CTR-ETI-270B-UT05 COB
3. Controller IC: EXC81H5680STAG
4. Cover Glass: T=3mm, AR+AF Treatment ,Surface hardness ≥6H
5. LCD model :DV270FHM-R01
6. Light transmittance: ≥92%
7. Working Temperature: -20℃~+80℃, ≤85%RH;
8. Storage Temperature: -30℃~+80℃, ≤85%RH;
9. Unmarked Tolerance: ± 0.3 mm;
10. All material used conform to RoHS standards

Part No.	BTP-TPM-DV-27-ETI-UT05		
Product Name: 27 inch Touch Display	Drawing No.	PM270240423UT05	
	Project Code.	PM270UT05	
Business Unit: SNT-BTP	Period Mark	View Angle	Ratio
	A		1:1
Workmanship:	Yong.Xin	BOM Code	2.03.270.13.0305
Standardization:	Link.Chen	Page 1	Total 1 Page
Released by:	Jeff.Fan	Product Series	BTP-TPM
		恩诺泰科创电子(苏州)有限公司 SINOTECHNICS INC.	