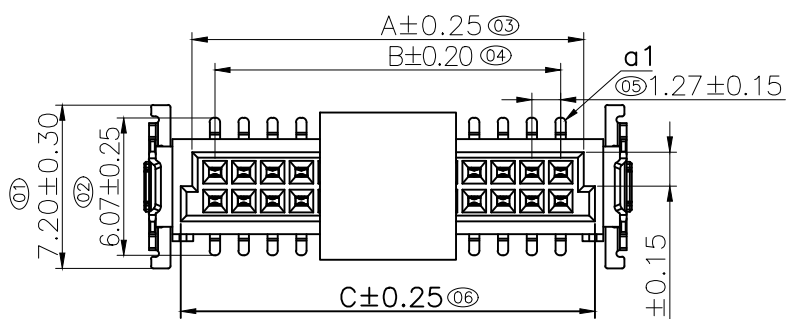
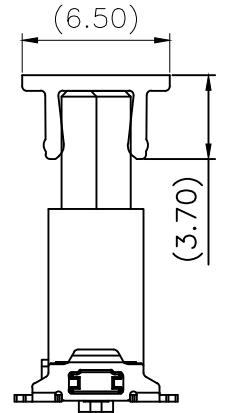
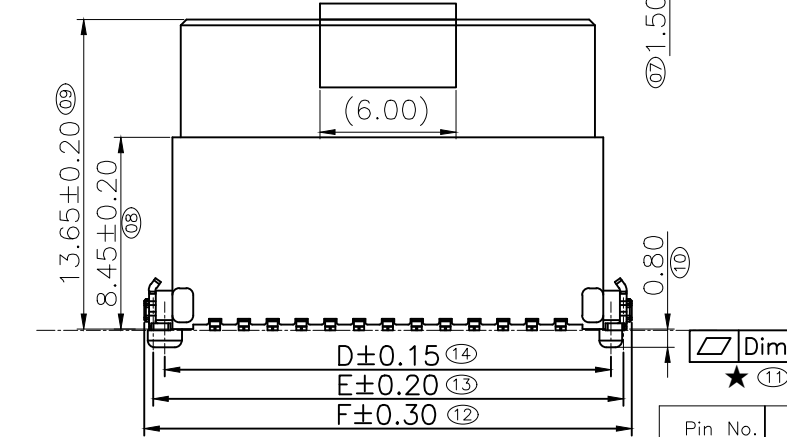


1 2 3 4 5 6 7 8 9

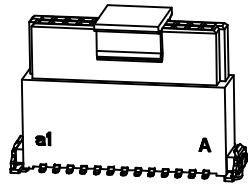
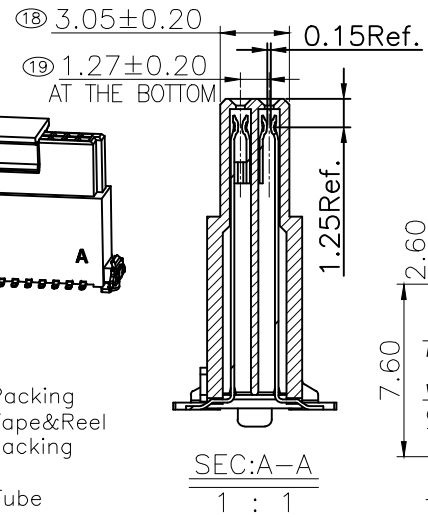
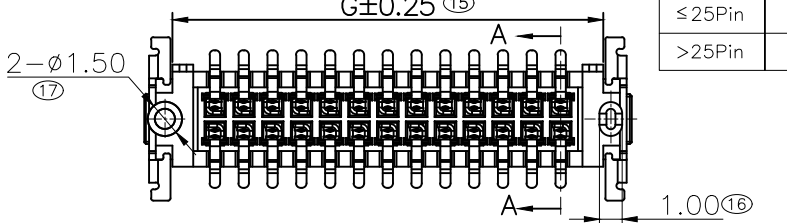


No. of PIN/ROW	Dimension Information						
	A	B	C	D	E	F	G
2x06	8.37	6.35	9.37	10.77	11.87	12.60	10.10
2x08	10.91	8.89	11.91	13.31	14.41	15.14	12.64
2x10	13.45	11.43	14.45	15.85	16.95	17.68	15.18
2x13	17.26	15.24	18.26	19.66	20.76	21.49	18.99
2x16	21.07	19.05	22.07	23.47	24.57	25.30	22.80
2x20	26.15	24.13	27.15	28.55	29.65	30.38	27.88
2x23	29.96	27.94	30.96	32.36	33.46	34.19	31.69
2x25	32.50	30.48	33.50	34.90	36.00	36.73	34.23
2x34	43.93	41.91	44.93	46.33	47.43	48.16	45.66
2x40	51.55	49.53	52.55	53.95	55.05	55.78	53.28



Dim.H  
★ ⑪

Pin No.	Dim.H
≤25Pin	0.12
>25Pin	0.15



Standard Packing  
F=Cap+Tape&Reel  
Selective Packing  
C=Tube  
E=Cap+Tube

REV.	LOCAS.	DESCRIPTION	DATE	DRAWN
01	NEW	BATCH PRODUCTION INITIAL RELEASE.	2023.06.19	廖昌紅

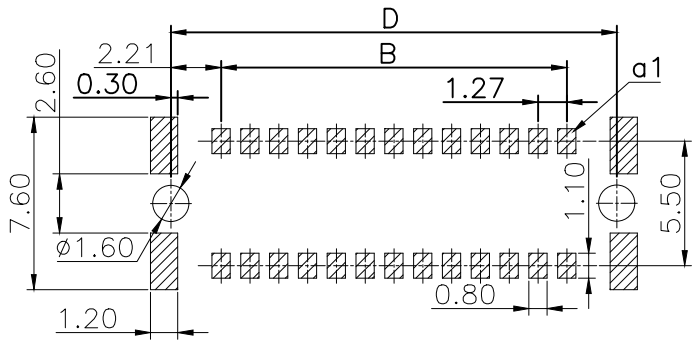
Specifications  
 Current Rating:1.70Amp/PIN.  
 Insulation Resistance:10000MΩMin.  
 Dielectric Withstanding Voltage:500VAC  
 Contact Resistance:25mΩMax.  
 Operating Temperature:-55°C to +125°C  
 Materials  
 Contact Material:Phosphor Bronze  
 Insulator Material:High Temperature Thermoplastic, UL 94V-0 LCP or the equivalent material  
 All materials must meet GREENCONN  
 ☆hazardous substances control standards.  
 "★": Critical Characteristics.  
 indicates product characteristics, functionalities, and manufacturing processes regarding to customer's specifications  
 "☆": Safety Features  
 indicates product characteristics, functionalities, and manufacturing processes complying to legal regulations stated by local government

### Ordering Information

C BEC224- XX XX B 001 C 1 A X

No. of Pins per Row: 06,08,10,13,16, 20,23,25,34,40  
 Standard Plating: 79=5u"Au/80~160u"Matte Tin, 05=1u"Au/80~160u"Matte Tin  
 Selective Plating: 02=Gold Flash  
 Color: 1=Black  
 Standard Packing: F=Cap+Tape&Reel, Selective Packing: C=Tube, E=Cap+Tube

### Recommended P.C.Board Layout (Tolerance:±0.05)



SEC:A-A  
1 : 1

 Website:www.greenconn.com E-mail:sales@greenconn.com	3RD.ANG PROJ.	GENERAL TOLERANCE		DESIGNED: 廖昌紅	DATE: 2023.06.19	DWG. NO. CBEC224-CB001	TITLE. 1.27 BOARD TO BOARD FEMALE DUAL ROW SMT TYPE CONNECTOR
	 PAGE. 1/1	X.*±5.0°	X.±0.30	CHECKED: 黃超	DATE: 2023.06.19		
	REV. 01	UNIT. mm	SCALE. 3:1	.X*±3.0°	.X±0.25	APPROVED: 邱國延	DATE: 2023.06.16

1 2 3 4 5 6 7 8 9