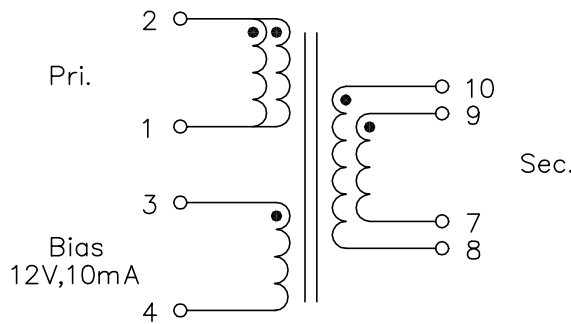


HR051577

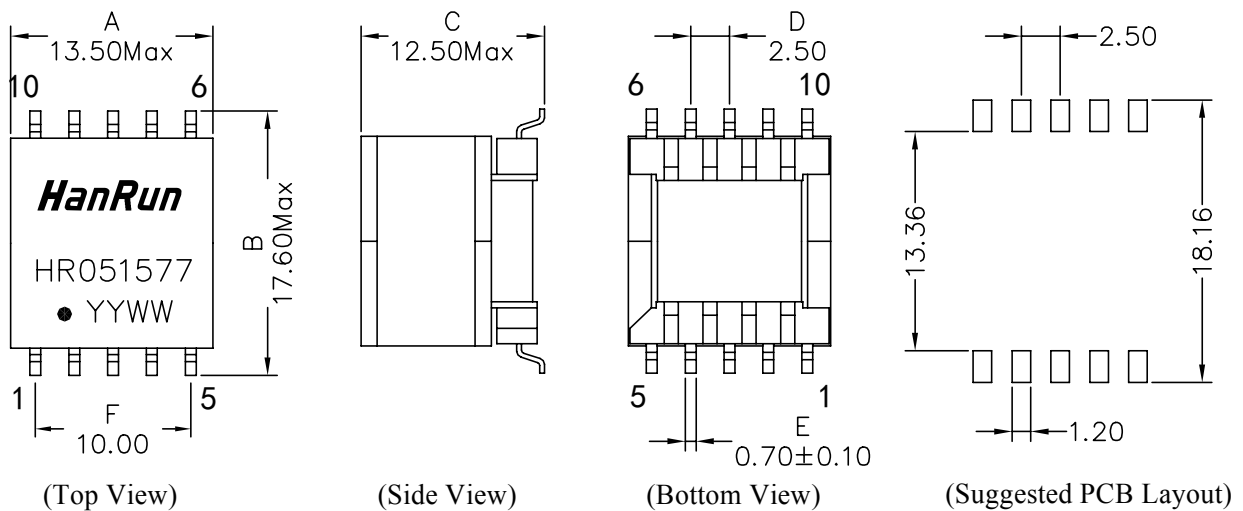
Electrical Specification @25°C

- RoHS Compliant (Pb Free)
- Isolation: 1500Vrms 1mA 60S (Pri.&Bias to Sec.)
- Isolation: 500Vrms 1mA 60S (Pri. to Bias; Windings to Core)
- Pin2-1 Inductance: 42.5 uH ±10% @100KHz 0.1Vrms
- Pin2-1 Leakage Inductance: 0.75 uH Max. @100KHz 0.1Vrms (Shorted Other Windings)
- Pin2-1 DC Resistance: 160.0 mohms Max.
- Pin3-4 DC Resistance: 200.0 mohms Max.
- Pin9,10-7,8 DC Resistance: 12.0 mohms Max. (Tie7+8, 9+10)
- Turns Ratio: P2-1 : P3-4 : P9,10-7,8 = 1 : 0.462 : 0.192 @100KHz 0.1Vrms(Tie7+8, 9+10)
- Input: 36-57V Output: 5V,2.6A
- Operating Temperature: -40°C ~ +85°C

Schematics



Mechanical Dimensions



Unless otherwise specified,
Tol.: .xx ± 0.25 (mm)