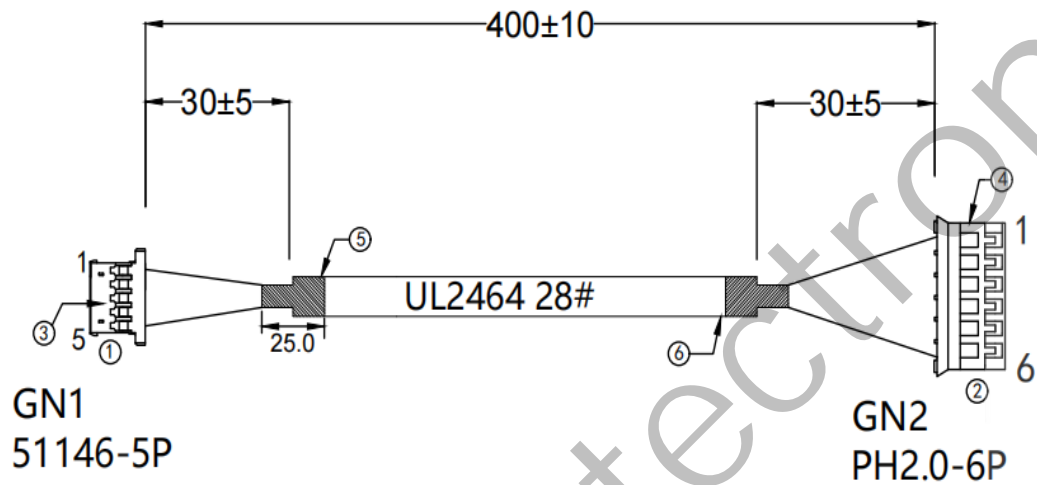


Ver.	Modify No.	Details	Area	P.I.C	Date



GN1	GN2
Red 1	1 VCC
Black 2	6 GND
White 3	3 EN
Green 4	4 DIM

GN1
51146-5P

GN2
PH2.0-6P

LCM:G150XTN06.0

Part No.	Power-H208K-P05N-PHR-6-400-RTD2483 -sinotronics		
Product Name: Power Cable	Period Mark	View Angle	Ratio
	A		1:1
Business Unit: SNT-BTP	Page 1	Total 1 Page	
Product Series BTP-Cable	SINOTECTRONICS 思诺泰科创 · 造未来 Interactivity Changes the World		