

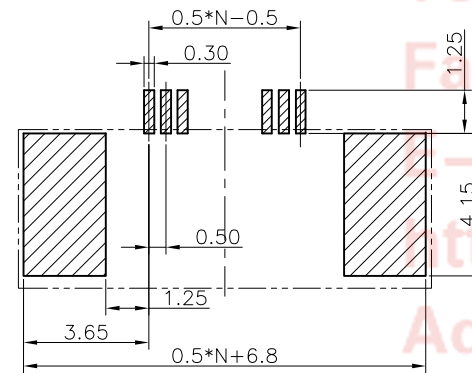
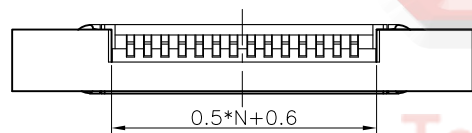
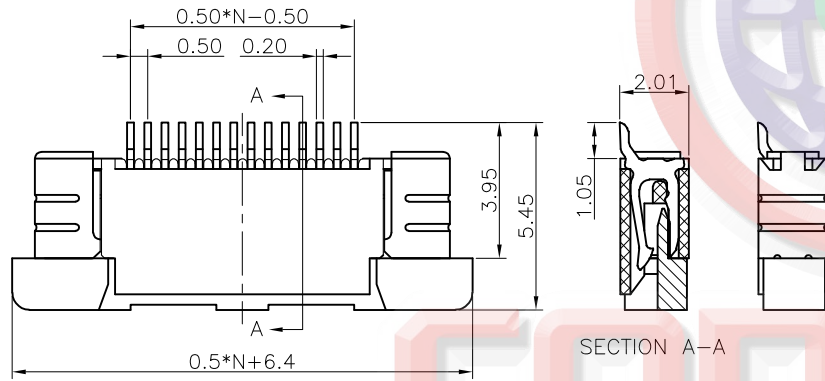
REV.	DESCRIPTION	DRAWN	CHECKED	APPROVED
A	NEW RELEASE	YCH 09/04/08'	~	LJC 09/04/08'
B	ADD PACKING TYPE	JLZ 04/02/15'	~	

NOTES:

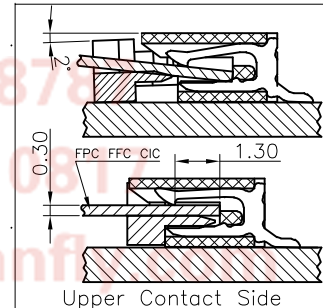
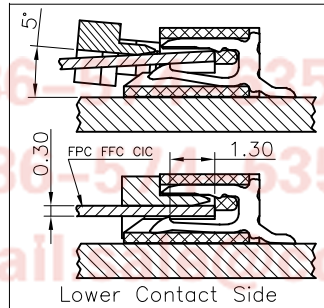
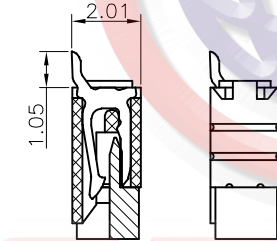
- MATERIAL
  - INSULATOR:THERMOPLASTIC(UL 94V-0).
  - CONTACT: COPPER ALLOY.
- SPECIFICATION
  - TEMPERATURE:-40°C~+105°C.
  - CONTACT RESISTANCE:30mΩ max.
  - INSULATION RESISTANCE:100MΩ min.
  - DIELECTRIC WITHSTANDING VOLTAGE:AC 100V PER MINUTE.
- PRODUCT NUMBER CODE:

DS1020-09- X X X X - X

- PACKING TYPE
- R: TAPE ON REEL
- N/A: TUBE
- CONTACT TYPE
- A: LOWER CONTACT
- B: UPPER CONTACT
- CONTACT PLATING
- T1: TIN
- 8: FULL GOLD FLASH
- COVER COLOR
- B:BLACK
- HOUSING COLOR
- V:IVORY
- No. OF CONTACTS
- 04~64



RECOMMEND PCB LAYOUT(TOLERANCE=±0.05)



GENERAL TOLERANCE		ANGLE TOLERANCE		PROJECTION	TITLE	0.50mm FPC CONNECTOR	
X.	±0.60	X.	±5°	mm		R/A SMT TYPE	
.X	±0.38	.X	±3°	A4	SERIES	DS1020-09 SERIES	
.XX	±0.25	.XX	±2°				
DRAWING TYPE		CUSTOMER		晨翔电子有限公司 <b>CONNFLY CONNFLY ELECTRONIC CO. LTD</b>			
SCALE		1:1 SHEET 1 OF 1					
DRAWING NO.		C-DS1020-09-XXXXX					