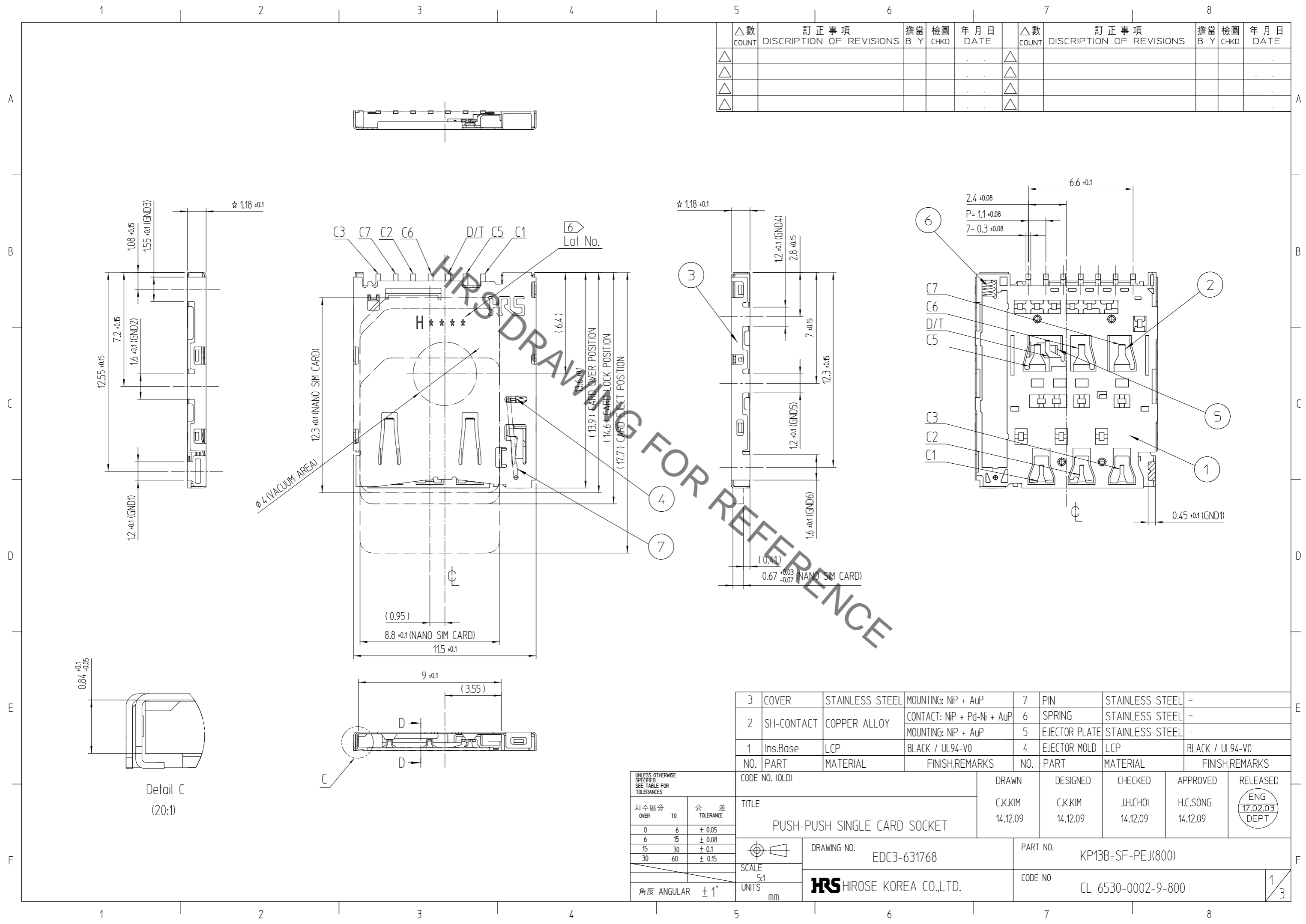


Oct. 1.2019 Copyright 2019 HIROSE ELECTRIC CO., LTD. All Rights Reserved.  
 In case of consideration for using Automotive equipment / device which demand high reliability, kindly contact our sales window correspondents.



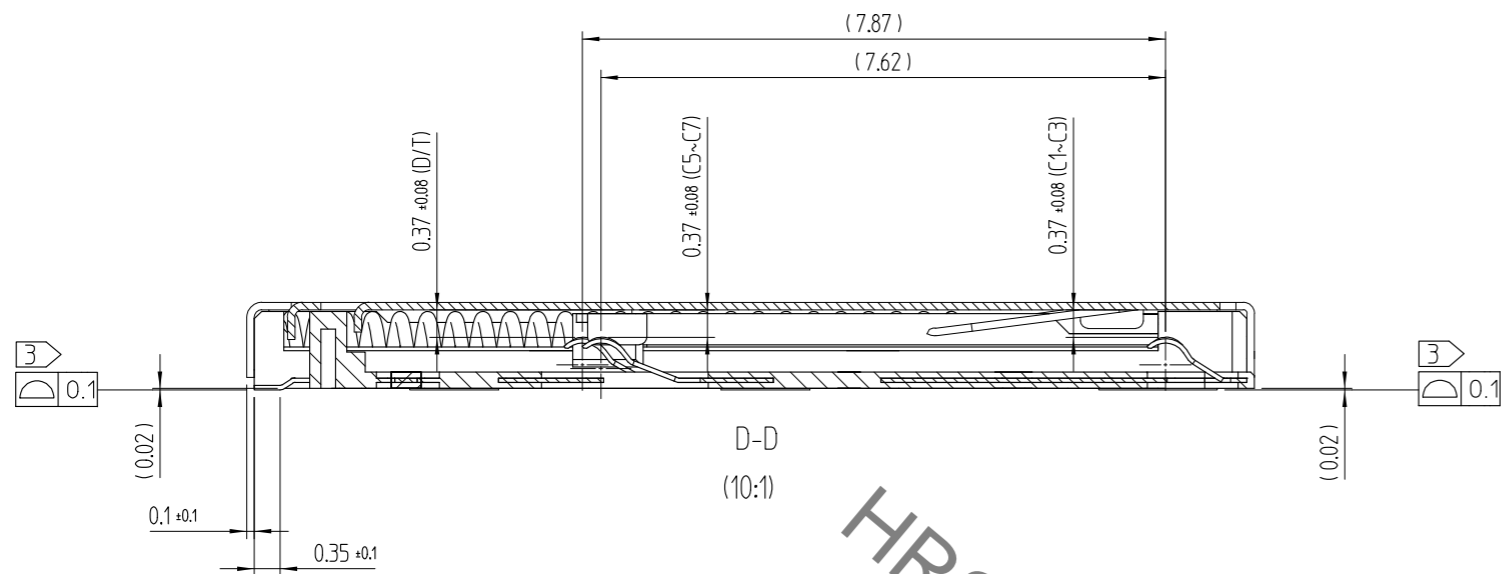
△數 COUNT	訂正事項 DISCRIPTION OF REVISIONS	擔當 B Y	檢圖 CHKD	年月日 DATE	△數 COUNT	訂正事項 DISCRIPTION OF REVISIONS	擔當 B Y	檢圖 CHKD	年月日 DATE
△					△				
△					△				
△					△				
△					△				

3	COVER	STAINLESS STEEL	MOUNTING: NIP + AuP	7	PIN	STAINLESS STEEL	-
2	SH-CONTACT	COPPER ALLOY	CONTACT: NIP + Pd-Ni + AuP MOUNTING: NIP + AuP	6	SPRING	STAINLESS STEEL	-
1	Ins.Base	LCP	BLACK / UL94-V0	5	EJECTOR PLATE	STAINLESS STEEL	-
NO.	PART	MATERIAL	FINISH,REMARKS	NO.	PART	MATERIAL	FINISH,REMARKS

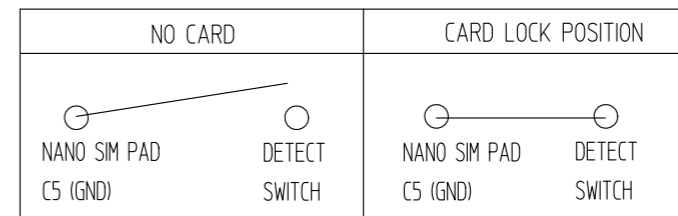
対分区分 OVER	公差 TOLERANCE
0	± 0.05
6	± 0.08
15	± 0.1
30	± 0.15

UNLESS OTHERWISE SPECIFIED, SEE TABLE FOR TOLERANCES		CODE NO. (OLD)		DRAWN	DESIGNED	CHECKED	APPROVED	RELEASED
TITLE		PUSH-PUSH SINGLE CARD SOCKET		C.K.KIM	C.K.KIM	J.H.CHOI	H.C.SONG	ENG 17.02.03 DEPT
DRAWING NO. EDC3-631768		PART NO. KP13B-SF-PEJ(800)		SCALE 5:1		CODE NO. CL 6530-0002-9-800		1/3
SCALE 5:1		UNITS mm		HRS HIROSE KOREA CO.,LTD.				
角度 ANGULAR ± 1'								

Oct.1.2019 Copyright 2019 HIROSE ELECTRIC CO., LTD. All Rights Reserved.  
 In case of consideration for using Automotive equipment / device which demand high reliability, kindly contact our sales window correspondents.



NOTE 1. ☆ MARK IS C.T.Q (CRITICAL TO QUALITY) POINT  
 2. CARD DETECTION SWITCH



③ CO-PLANARITY SHALL BE 0.1mm MAX(BEFORE & AFTER REFLOW)

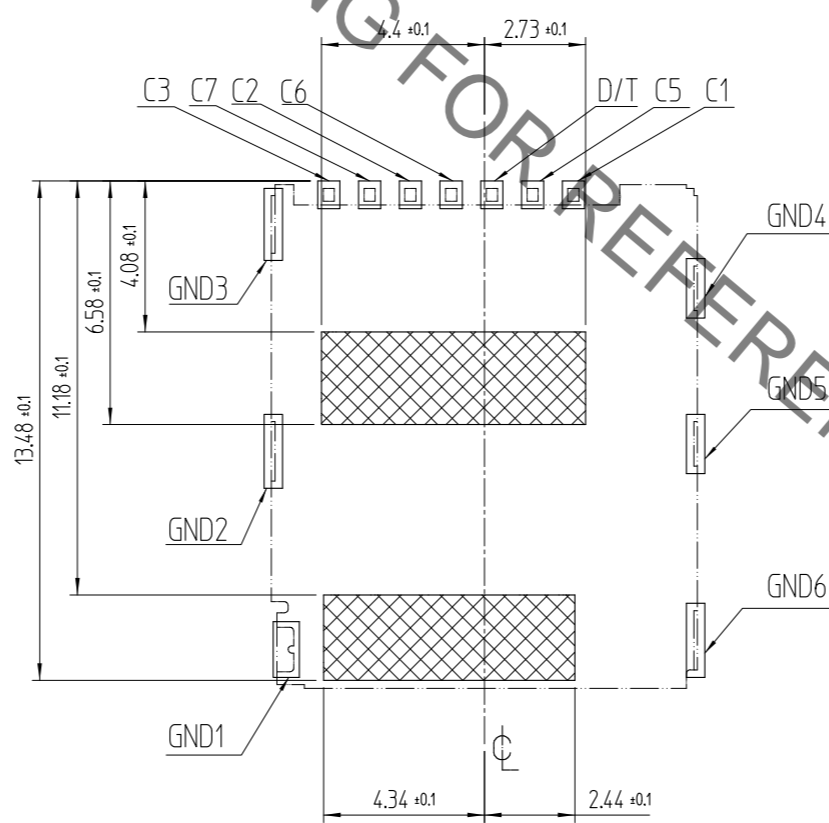
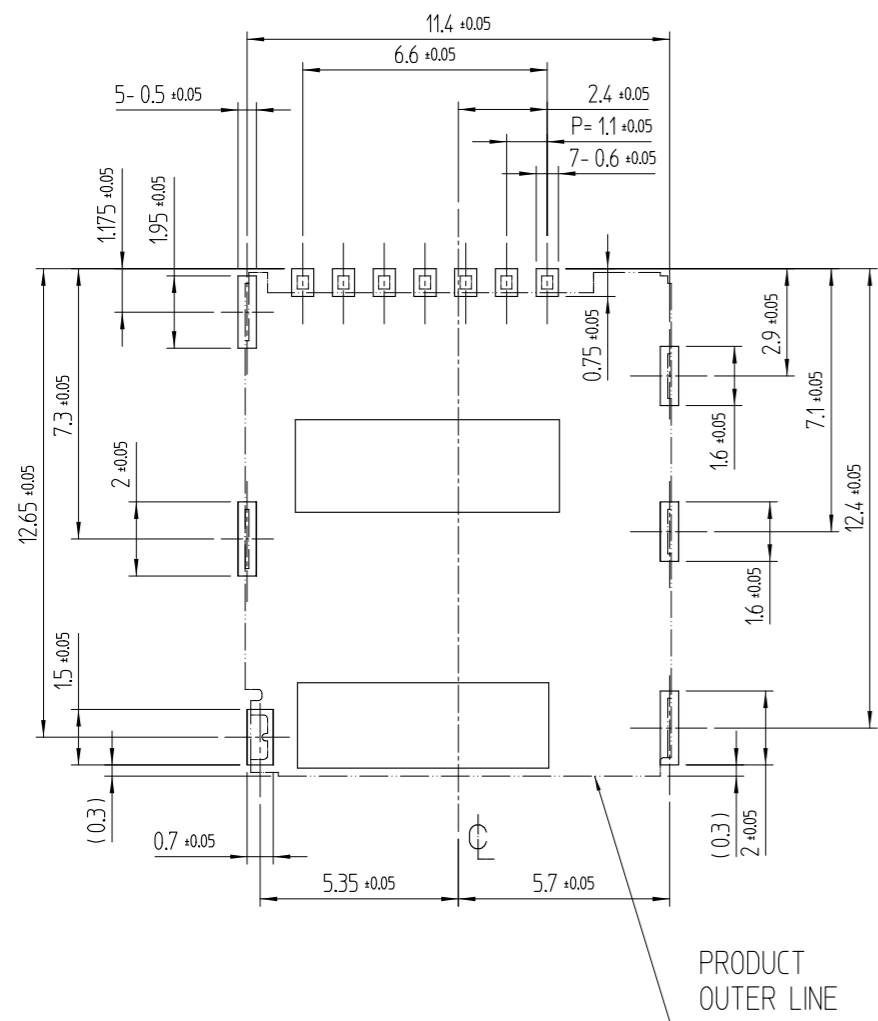
④ NO PATTERNS PERMITTED IN THIS OBLIQUE - HATCHED AREA

RECOMMENED P.C.B PATTERN LAYOUT (TOLERANCE : ±0.05)

RECOMMEND METAL MASK THICKNESS : 0.12mm

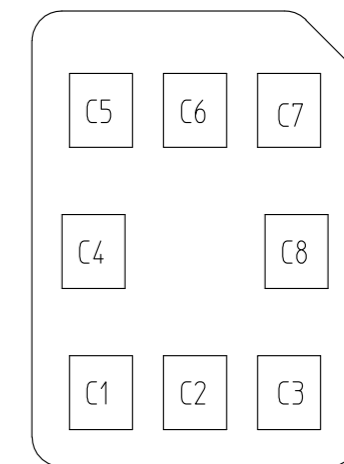
④ NO PATTERNS PERMITTED IN THIS OBLIQUE

TOLERANCE : ±0.05



PIN No.	Name
C1	Vcc
C2	RST
C3	CLK
C4	Reserved
C5	GND
C6	Vpp
C7	I/O
C8	Reserved

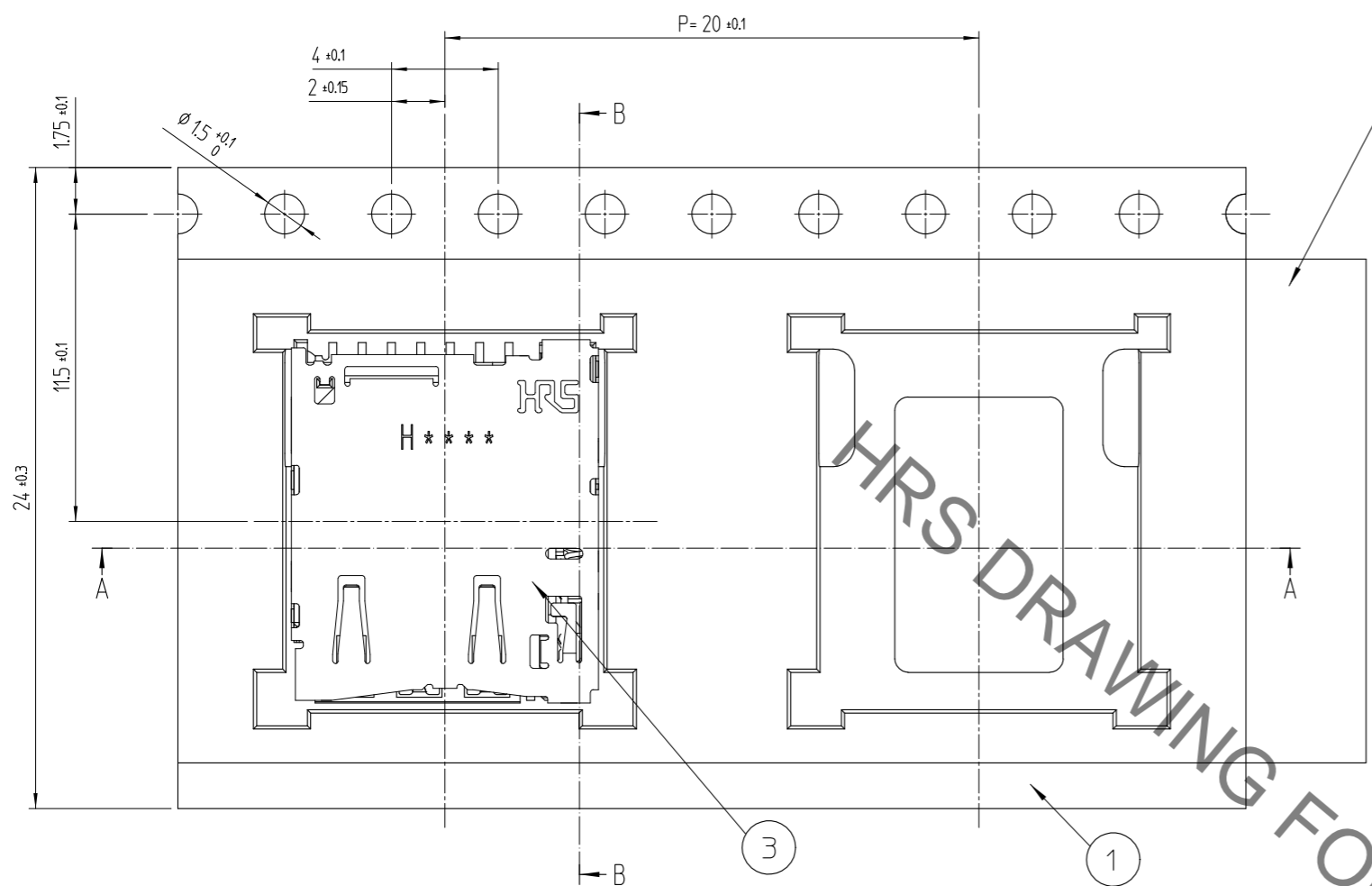
NANO SIM CARD ASSIGNMENT



NANO SIM CARD PAD LAY OUT

Oct.1.2019 Copyright 2019 HIROSE ELECTRIC CO., LTD. All Rights Reserved.  
 In case of consideration for using Automotive equipment / device which demand high reliability, kindly contact our sales window correspondents.

5 DRAWING FOR PACKING

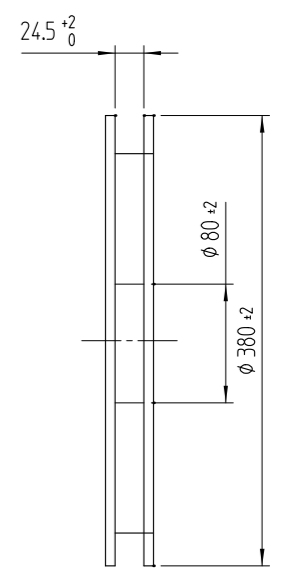
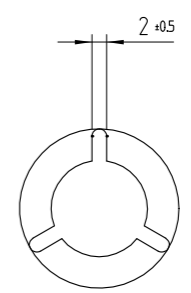
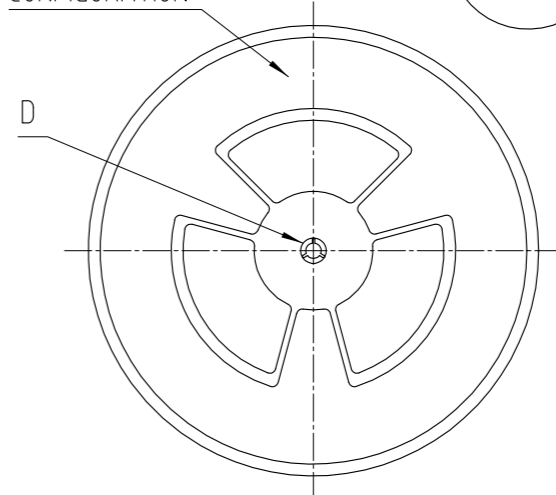


2

Detail D

DETAIL OF REEL

REVISED CONFIGURATION



(14.1)

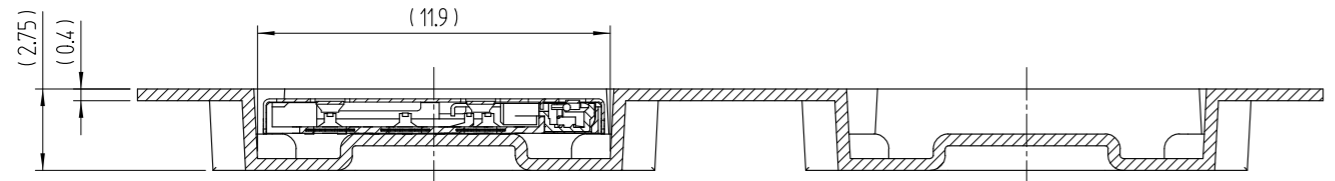
B-B

- 5 PACKING TYPE :TAPE AND 1,500PCS PER 1REEL .
- 6 MANUFACTURING DATE SYSTEM

H 6 1 26 1

PRODUCTION LINE : LINE No.  
 DATE : 26TH  
 MONTH : JAN  
 YEAR : 2016  
 SUPPLIER : HIROSE KOREA

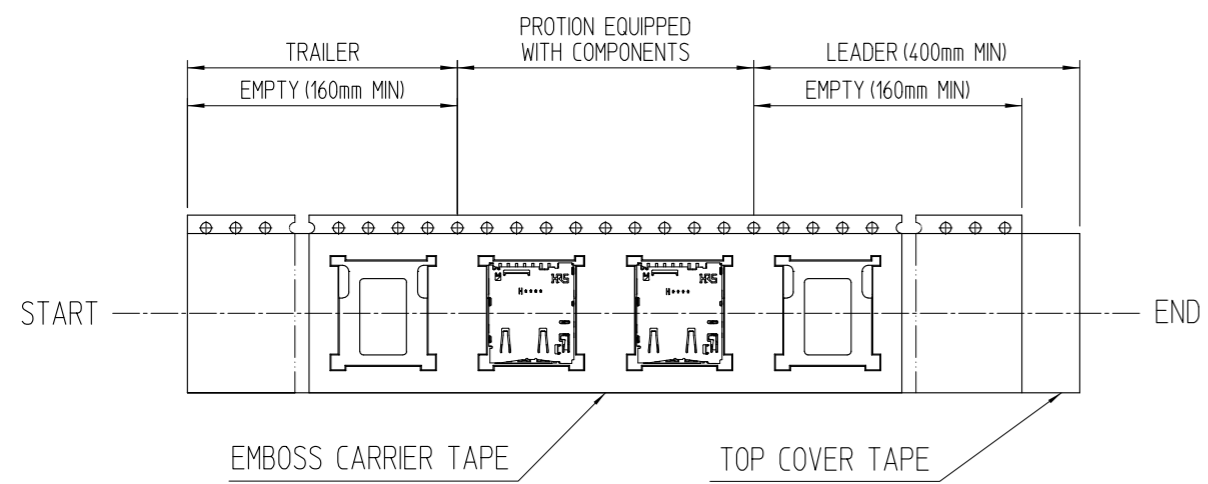
7 THE DIMENSIONS OF CUSTOMER DRAWING ARE INITIAL DIMENSIONS OF PRODUCT. NOT AFTER THE REFLOW.



A-A

6 TABLE.1

YEAR	MONTH		DATE						
YEAR	SYMBOL	MONTH	SYMBOL	DATE	SYMBOL	DATE	SYMBOL	DATE	SYMBOL
2016	6	Jan.	1	1	1	11	11	21	21
2017	7	Feb.	2	2	2	12	12	22	22
2018	8	Mar.	3	3	3	13	13	23	23
2019	9	Apr.	4	4	4	14	14	24	24
2020	0	May.	5	5	5	15	15	25	25
2021	1	Jun.	6	6	6	16	16	26	26
2022	2	Jul.	7	7	7	17	17	27	27
2023	3	Aug.	8	8	8	18	18	28	28
2024	4	Sep.	9	9	9	19	19	29	29
2025	5	Oct.	A	10	10	20	20	30	30
		Nov.	B					31	31
		Dec.	C						



3	(CONNECTOR)	
2	TOP COVER TAPE	POLYESTER
1	EMBOSS CARRIER TAPE	PS
No.	PART	MATERIAL
HRS HIROSE KOREA CO.,LTD.		圖番 DRAWING NO. EDC3-631768

3/3