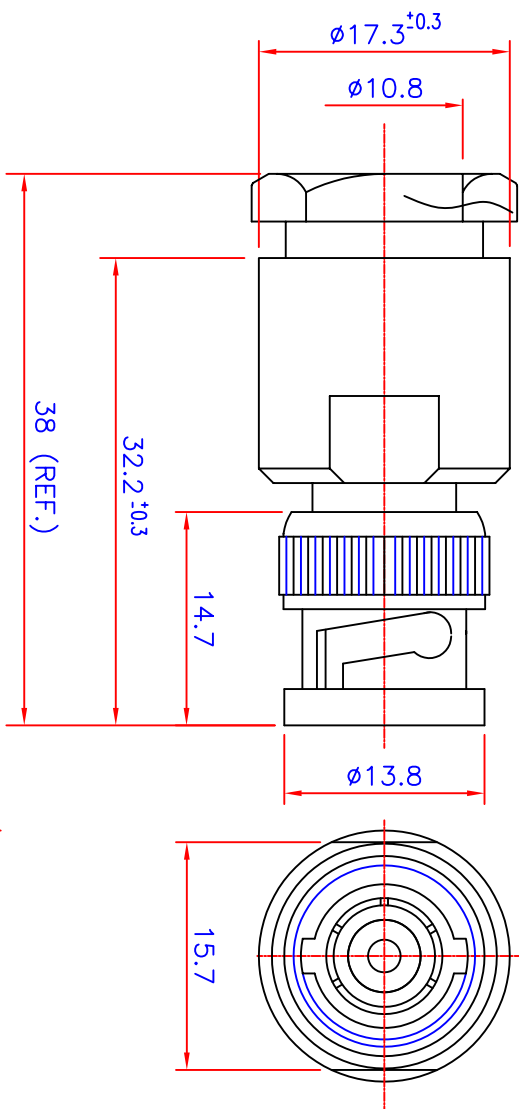
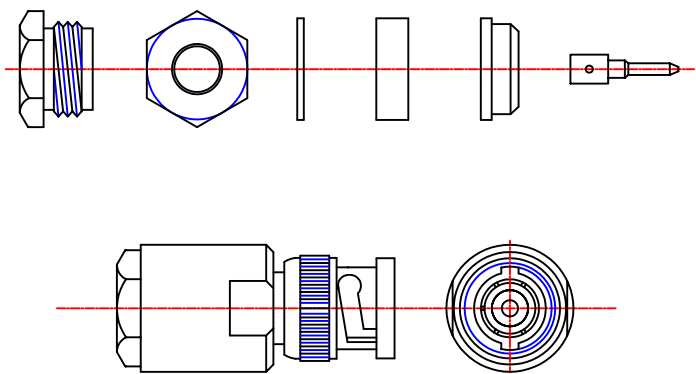


SPECIFICATION

BNC MALE CONNECTOR
 CLAMP TYPE, RG213, NICKEL PLATED
 BNC 公, CLAMP TYPE, RG213, 本體: 鍍銀, PIN: 鍍金



PS: BNC MALE CLAMP TYPE

UNLESS OTHERWISE SPECIFIED
 GENERAL TOLERANCES
 0.5~6 = ± 0.2
 >6~30 = ± 0.4
 >30~120 = ± 0.6

NO.	DESCRIPTION	QTY	MATERIAL	SPECIFICATION	REMARK
DRAW BY	周煥君	021808	1 : 2		TL4238-213-BDNG
DEGN BY					
APPD BY			MM		

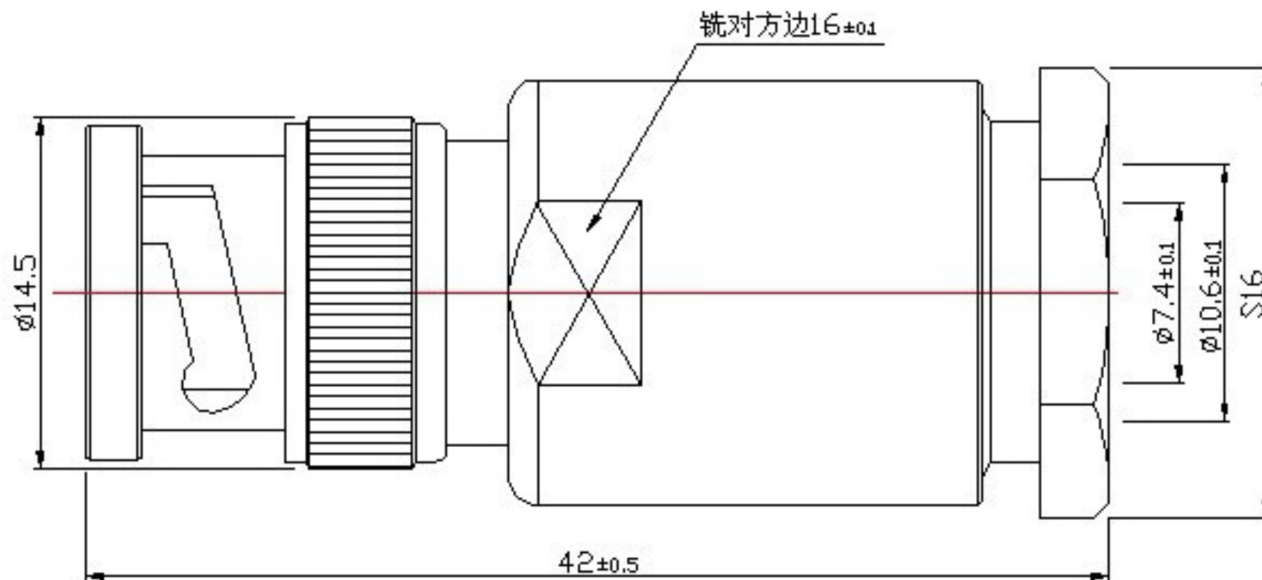
同利企業有限公司

TELE LONG ENTERPRISE CO.,LTD
 E-mail: rayyang@seed.net.tw

DRAWING NO. TL4238-213-BDNG
 -TNS61-A

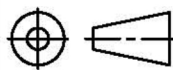
DATE DRAWG BY REVISED

BNC MALE CLAMP RG213, RG58U, RG59U
 EX. TL4238-213-BDNG




**UNLESS OTHERWISE SPECIFIED
 GENERAL TOLERANCES**

0.5~6 = ± 0.3
 >6~30 = ± 0.6
 >30~120 = ± 0.8

NO.	DESCRIPTION	QTY	MATERIAL	SPECIFICATION	REMARK
DRAW BY	CHUN	011411	SCALE	PROJ 	ITEM NO. TL4238-□-BDNG
DEGN BY	YANG		UNIT		TITLE BNC CONNECTORS
APPD BY	RAY		MM		DWG NO. TL4238-□-BDNG-CN19-B1

同利企業有限公司

TELE LONG ENTERPRISE CO.,LTD

DATE	DRAWG BY	REVISED	
------	----------	---------	---