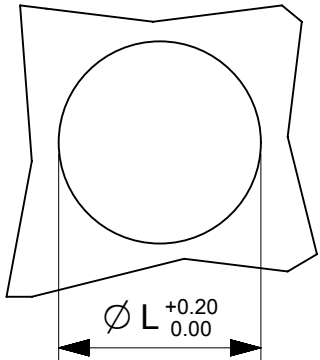
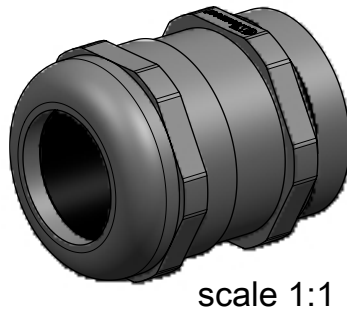


FORATURA PANNELLO
PANEL DRILLING



$\varnothing L$
mm
25.5



SYMBOLS $\nabla = 0$ $\nabla = 0$ $\nabla = 0$ $\nabla = 0$ $\nabla = 0$ $\nabla = 0$ $\nabla = 0$ $\nabla = 0$ $\nabla = 0$ $\nabla = 0$ $\nabla = 0$ $\nabla = 0$	THIS DRAWING CONTAINS INFORMATION THAT IS PROPRIETARY TO MOLEX ELECTRONIC TECHNOLOGIES, LLC AND SHOULD NOT BE USED WITHOUT WRITTEN PERMISSION		CURRENT REV DESC: EC NO: 170943 DRWN: AKHEMIRI 2018/01/17 CHK'D: DMERONI 2018/01/17 APPR: AMELZI 2018/01/19					
	DIMENSION UNITS: mm SCALE: 2:1	GENERAL TOLERANCES (UNLESS SPECIFIED) ANGULAR TOL ± °						
$\nabla = 0$ $\nabla = 0$ $\nabla = 0$ $\nabla = 0$ $\nabla = 0$ $\nabla = 0$ $\nabla = 0$ $\nabla = 0$ $\nabla = 0$ $\nabla = 0$ $\nabla = 0$ $\nabla = 0$	INITIAL REVISION: DRWN: AKHEMIRI 2018/01/04 APPR: AMELZI 2018/01/19		PRODUCT CUSTOMER DRAWING			DOCUMENT NUMBER: 936000026 DOC TYPE: PSD DOC PART: 000 REVISION: A		
DRAFT WHERE APPLICABLE MUST REMAIN WITHIN DIMENSIONS		FIRST ANGLE PROJECTION	DRAWING: A4-SIZE	SERIES: 93600	MATERIAL NUMBER: 936000026	CUSTOMER: GENERAL MARKET	SHEET NUMBER: 1 OF 1	

DOCUMENT STATUS	P1	RELEASE DATE	2018/01/19	12:05:49
-----------------	----	--------------	------------	----------