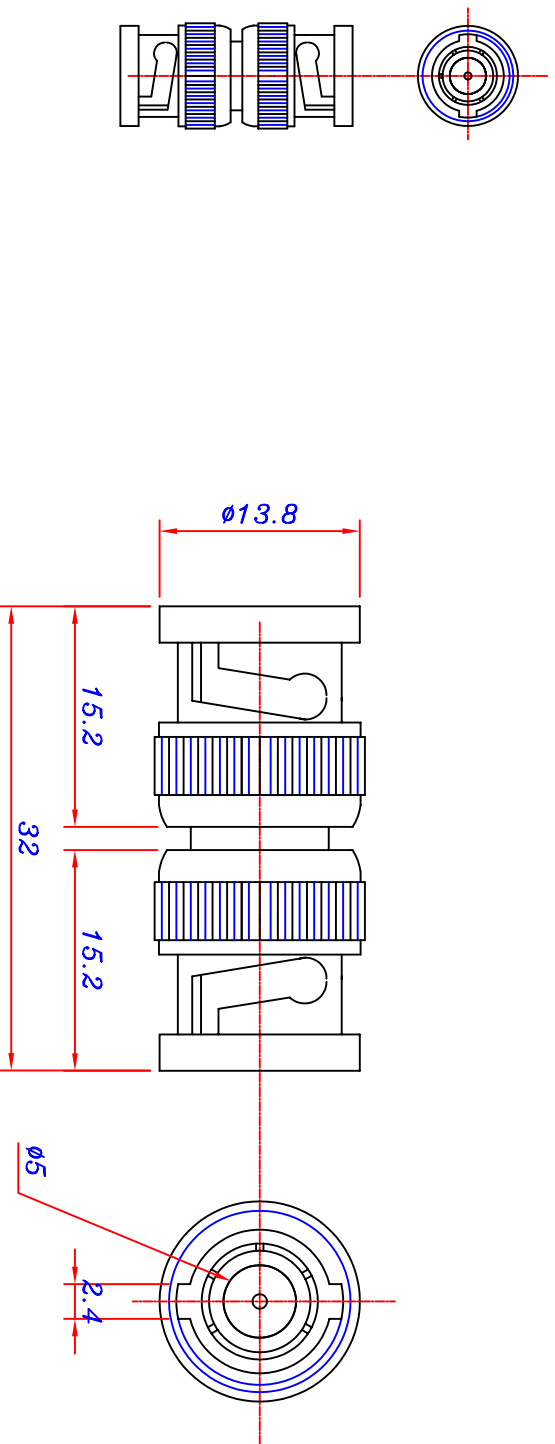


# BNC MALE TO MALE

## NOTES

1. MATERIALS OF CONSTRUCTION :  
SHELL OF BNC MALE: DICASTING TYPE  
BODY AND RETAINER RING=BRASS,NICKEL PLATED  
WASHER=BRASS,NICKEL PLATED  
CONTACT=BRASS,GOLD PLATED  
INSULATOR=DELTRIN
2. DOUBLE BNC MALE,NICKEL PLATED
3. DO NOT SCALE THIS DRAWING
4. UNLESS OTHERWISE SPECIFIED,ALL DIMENSIONS ARE AFTER PLATING



| NO.     | DESCRIPTION | QTY    | MATERIAL | SPECIFICATION | REMARK                             |
|---------|-------------|--------|----------|---------------|------------------------------------|
| DRAW BY | 周佩君         | 121907 | SCALE    | 1 : 2         | ITEM NO. TL4208-BZCDNG             |
| DEGN BY |             |        | UNIT     | MM            | TITLE BNC CONNECTORS               |
| APPD BY |             |        |          |               | DRAWING NO. TL4208-BZCDNG-7XNS61-4 |

同利企業有限公司

TELE LONG ENTERPRISE CO.,LTD

|      |          |         |
|------|----------|---------|
| DATE | DRAWG BY | REVISED |
|------|----------|---------|