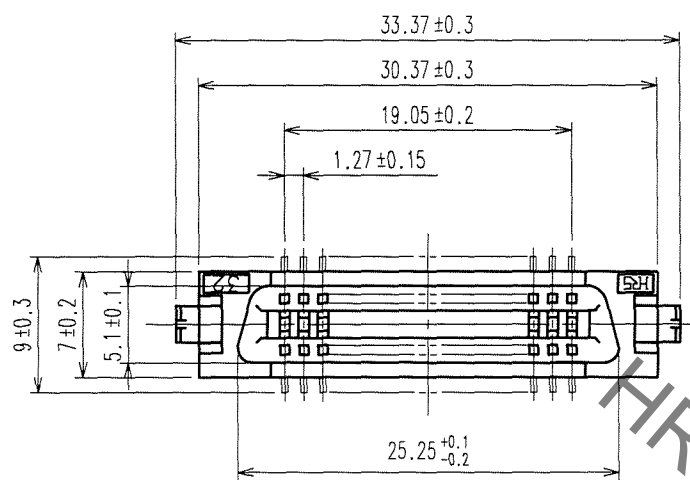
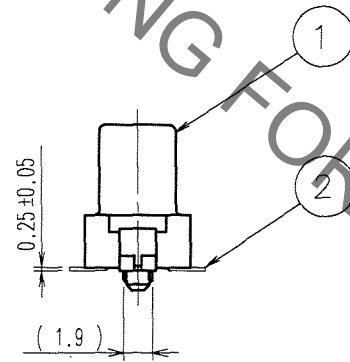
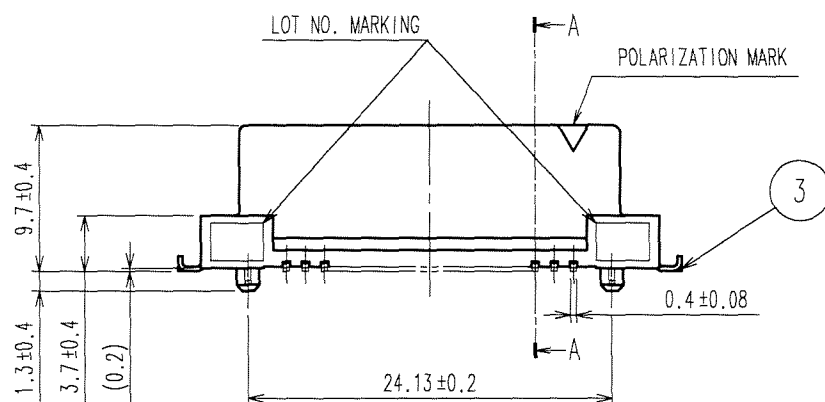
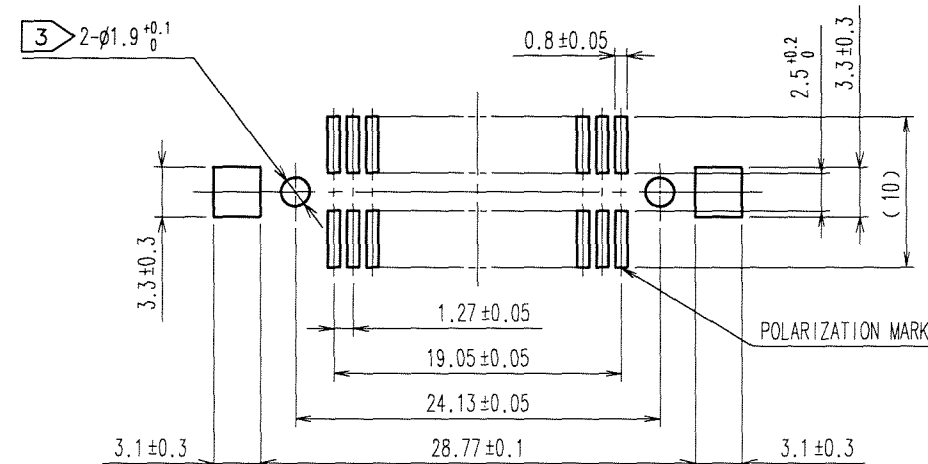


Sep.1.2020 Copyright 2020 HIROSE ELECTRIC CO., LTD. All Rights Reserved.
In case of consideration for using Automotive equipment / device which demand high reliability, kindly contact our sales window correspondents.

COUNT	DESCRIPTION OF REVISIONS	BY	CHKD	DATE	COUNT	DESCRIPTION OF REVISIONS	BY	CHKD	DATE
△					△				
△					△				
△					△				

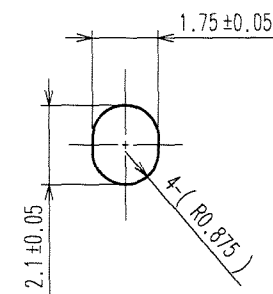


RECOMMENDED LAND PATTERN DIMENSION OF PCB (MOUNTING SIDE)

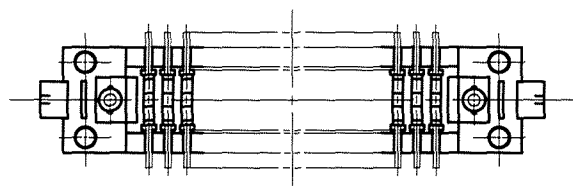


A-A

FIG.1(5:1)



- NOTES
- LEAD CO-PLANARITY SHALL BE 0.15 MAX.
 - THE DIMENSIONS IN PARENTHESES ARE FOR REFERENCE.
 - IN CASE OF THE AUTOMATED MOUNTING, RECOMMENDED HOLE DIAMETER OF BOSS IS SHOWN IN FIG.1.



1	PPS	LIGHT BROWN (UL94V-0)	2	PHOSPHOR BRONZE	TIN-PLATING
					CONTACT AREA:GOLD 0.2μm min.
					LEAD AREA:TIN-PLATING 2μm min.
					UNDER PLATING:NICKEL 1.5μm min.
NO.	MATERIAL	FINISH, REMARKS	NO.	MATERIAL	FINISH, REMARKS

CODE NO. (OLD) CL	DRAWN A.SUZUKAWA 06.07.19	DESIGNED <i>Nakamura</i> 06.07.19	CHECKED <i>Uyama</i> 06.07.19	APPROVED <i>H. Okawa</i> 06.07.19	RELEASED .
----------------------	---------------------------------	---	-------------------------------------	---	---------------

SCALE 2:1	DRAWING NO. EDC3-082758-21	PART NO. FX2-32S-1.27SVL(71)
UNITS mm	HIROSE ELECTRIC CO., LTD	CODE NO. CL572-2152-4-71

TO
PCK

1/1