

SPECIFICATION

Current Rating: 0.5 A
 Rating Voltage: 100V AC
 Insulation Resistance: 1000MΩ Min.
 Contact Resistance: 100mΩ Max.
 Dielectric Voltage: 500V AC for one minute
 Operation Temperature: -25°C to +85°C

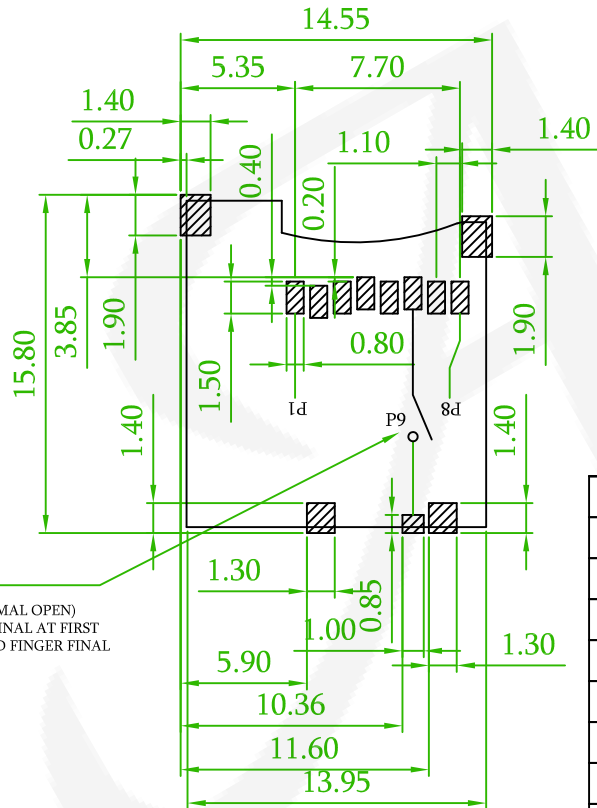
MATERIAL

Housing: Hi-Temp Temperature, UL94V-0, Black
 Terminal: Copper Alloy
 Shell: Stainless steel

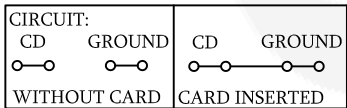
ORDER INFORMATION

5 K T F P - 0 8 S 0 N H L 0 2

No. of Contacts S0:Selective H:T/R W/O Cap

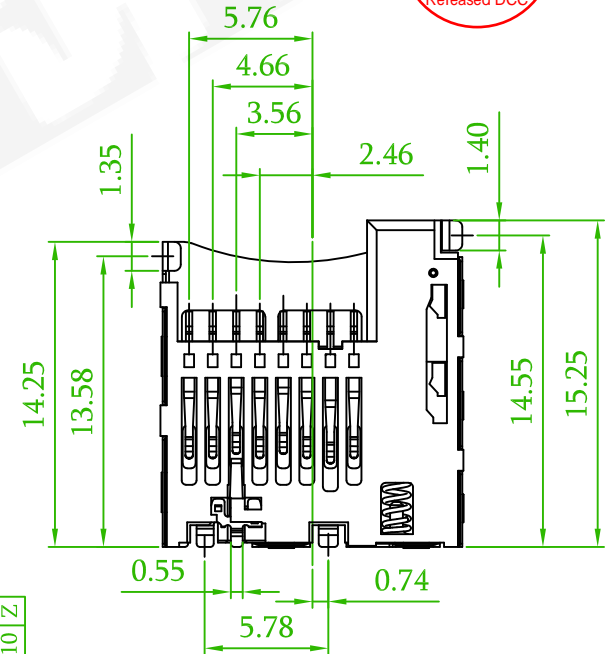
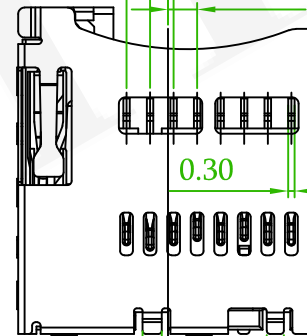
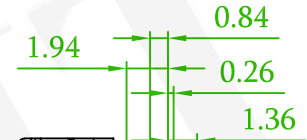
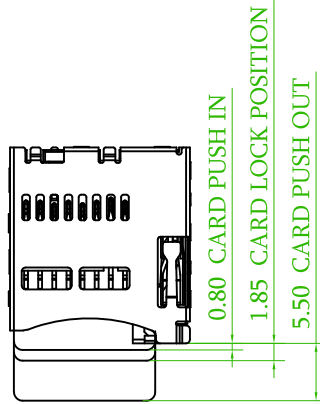


VDD SWITCH(NORMAL OPEN)
 TOUCH VDD TERMINAL AT FIRST
 TOUCH CARD GOLD FINGER FINAL



RECOMMEND PCB LAYOUT
 GENERAL TOLERANCE ±0.05

Pin No.	MICRO SD	
PIN1	DAT2	1P
PIN2	CD/DAT3	2P
PIN3	CMD	3P
PIN4	VDD	4P
PIN5	CLK	5P
PIN6	VSS	6P
PIN7	DAT0	7P
PIN8	DAT1	8P
PIN9	CARD DETECT	



REV.	ECN NO. OR DESCRIPTION	REVISED	DATE

<p>糧德精密有限公司 Amtek Technology Co., Ltd. TEL: 886-2-2260-6878 FAX: 886-2-2260-8030</p>	品名 TITLE	MICRO SD CARD PUSH-PUSH TYPE				頁數 Page	1/1
	品號 PART NO.	5KTFF-08S0NHL02				繪圖 DRAWN	Benson 2019/09/03
	圖號 DRAWING NO.	GN195-BS249	版本 REV.	A	核對 CHECKED	Josh 2019/09/03	
	客戶品號 CUSTOMER P/N		比例 SCALE	None	承認 APPROVED	Josh 2019/09/03	
	公差 TOLERANCE	.X ±0.30 .XX ±0.20	單位 UNIT	mm	THIRD ANGLE PROJECTION		