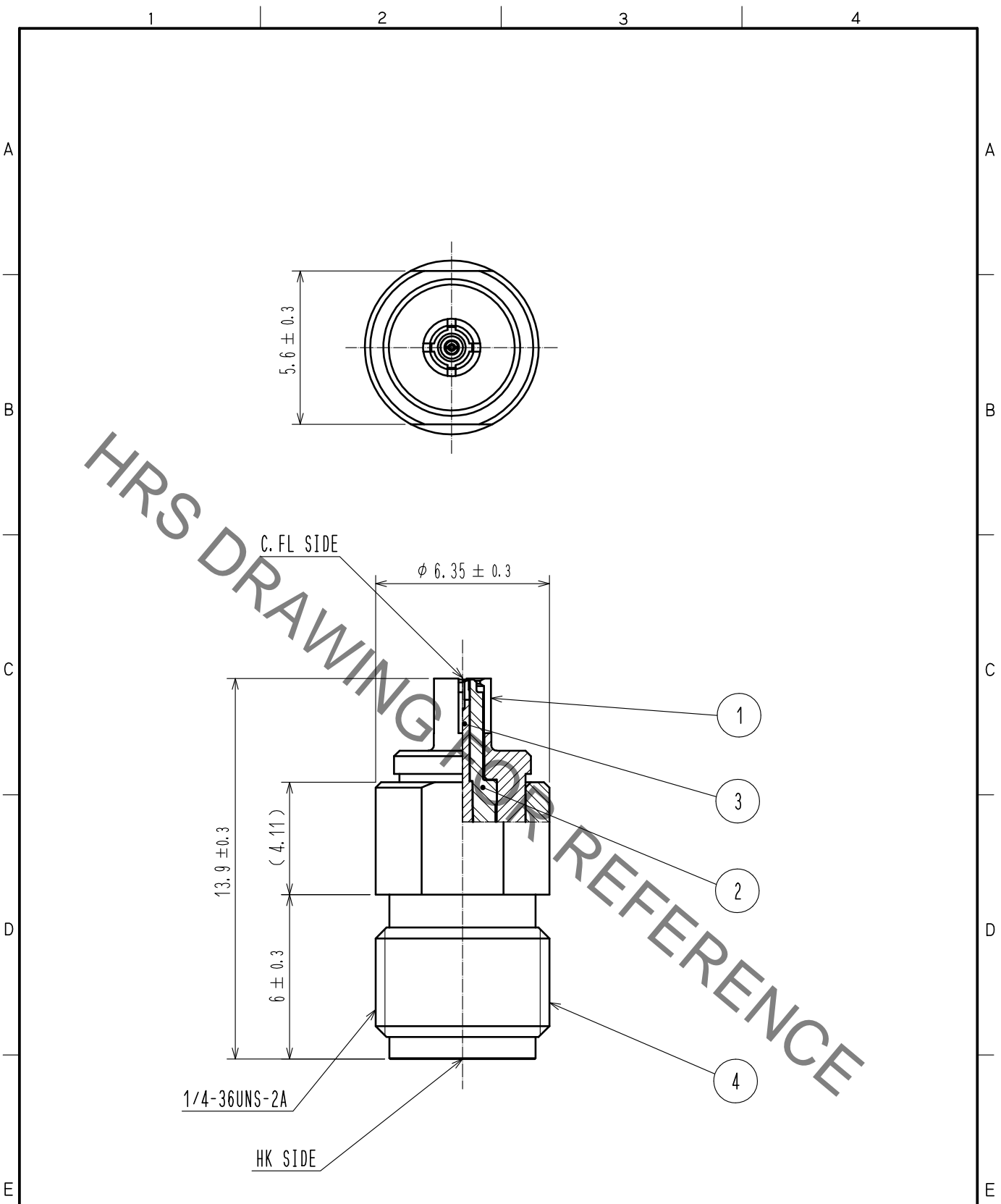


Oct.1.2021 Copyright 2021 HIROSE ELECTRIC CO., LTD. All Rights Reserved.
 In case of consideration for using Automotive equipment / device which demand high reliability, kindly contact our sales window correspondents.



RoHS COMPLIANT

NOTE: 2.92mm female to C.FL Plug Adapter

| 2 | PTFE | | 4 | STAINLESS STEEL | PASSIVATE | | |
|---------------------------------|------------------|------------------|------------|--------------------------|------------------|---------|------|
| 1 | BERYLLIUM COPPER | NICKEL PLATING | 3 | BERYLLIUM COPPER | GOLD PLATING | | |
| NO. | MATERIAL | FINISH . REMARKS | NO. | MATERIAL | FINISH . REMARKS | | |
| UNITS mm | | SCALE 5 : 1 | COUNT | DESCRIPTION OF REVISIONS | DESIGNED | CHECKED | DATE |
| HIROSE ELECTRIC CO., LTD. | APPROVED | : KH. IKEDA | 18. 03. 07 | DRAWING NO. | EDC-381043-00-00 | | |
| | CHECKED | : MH. TSUCHIDA | 18. 03. 06 | PART NO. | C. FLP-HKJ | | |
| | DESIGNED | : YJ. HAGA | 18. 03. 06 | CODE NO. | CL311-0024-0-00 | | |
| | DRAWN | : YJ. HAGA | 18. 03. 06 | | 1/1 | | |