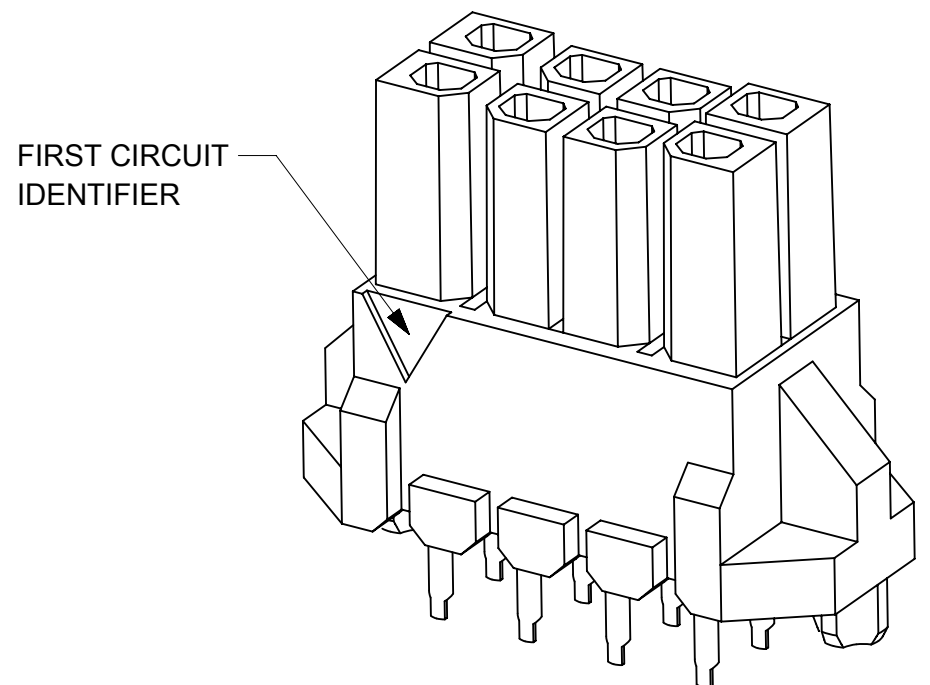
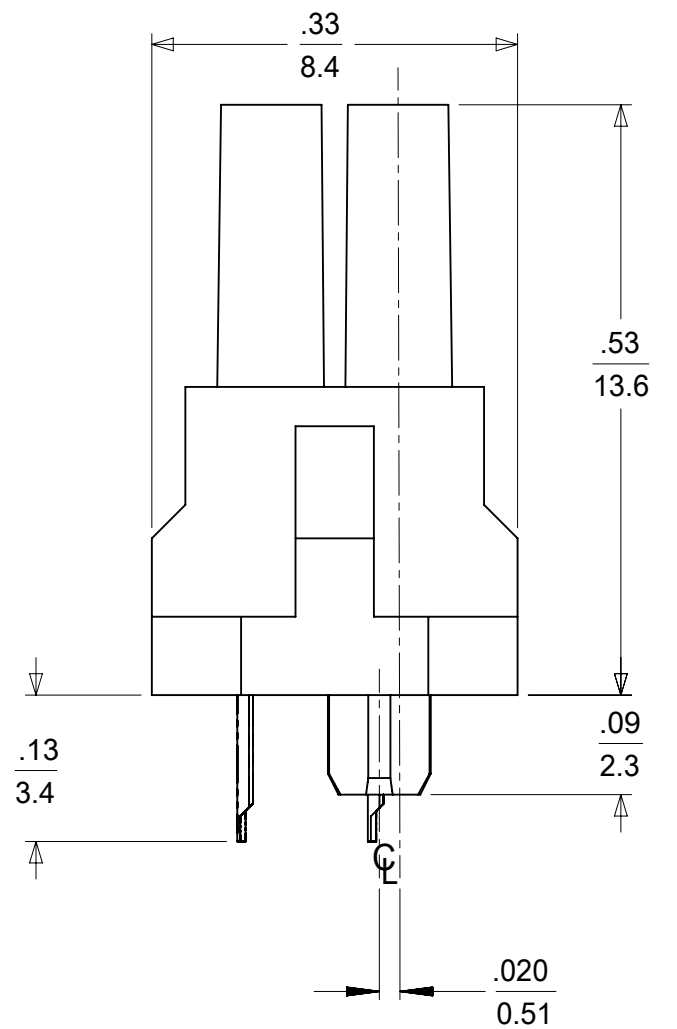
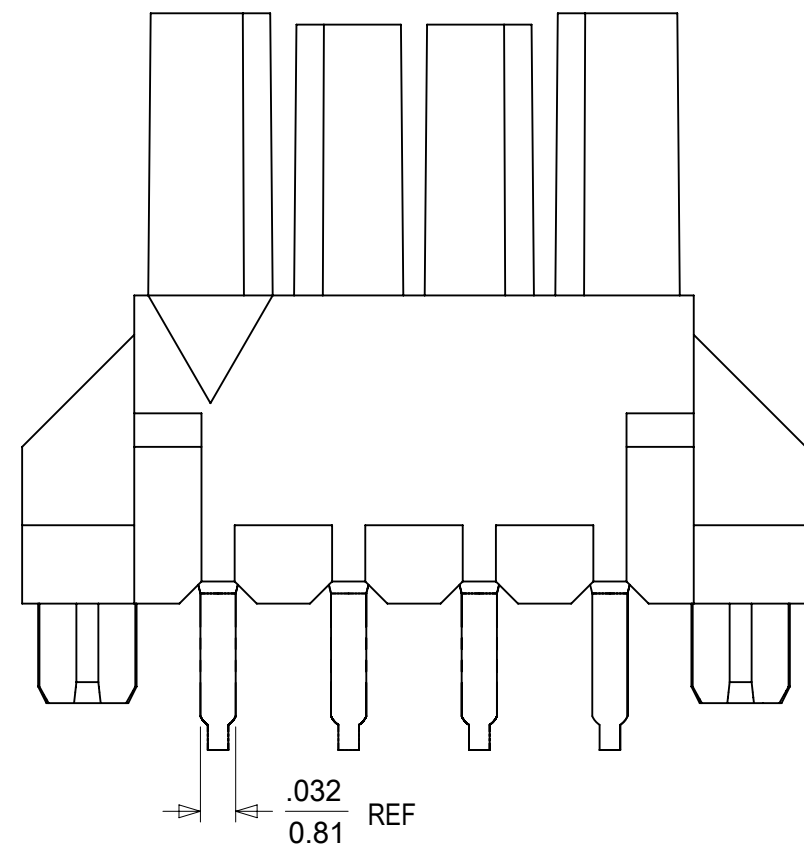


**MATED DIMENSIONS**  
(FOR ALIGNMENT OF PCB'S IN X & Y DIRECTIONS)

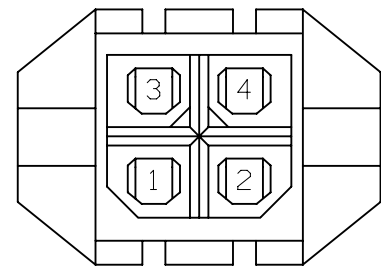


| CIRCUIT SIZE | DIM. "A"      | DIM. "B"      | DIM. "C"      |
|--------------|---------------|---------------|---------------|
| 4            | .472/(12.00)  | .118/(3.00)   | .354/(9.00)   |
| 6            | .591/(15.00)  | .236/(6.00)   | .472/(12.00)  |
| 8            | .709/(18.00)  | .354/(9.00)   | .591/(15.00)  |
| 10           | .827/(21.00)  | .472/(12.00)  | .709/(18.00)  |
| 12           | .945/(24.00)  | .591/(15.00)  | .827/(21.00)  |
| 14           | 1.063/(27.00) | .709/(18.00)  | .945/(24.00)  |
| 16           | 1.181/(30.00) | .827/(21.00)  | 1.063/(27.00) |
| 18           | 1.299/(33.00) | .945/(24.00)  | 1.181/(30.00) |
| 20           | 1.417/(36.00) | 1.063/(27.00) | 1.299/(33.00) |
| 22           | 1.535/(39.00) | 1.181/(30.00) | 1.417/(36.00) |
| 24           | 1.654/(42.00) | 1.299/(33.00) | 1.535/(39.00) |

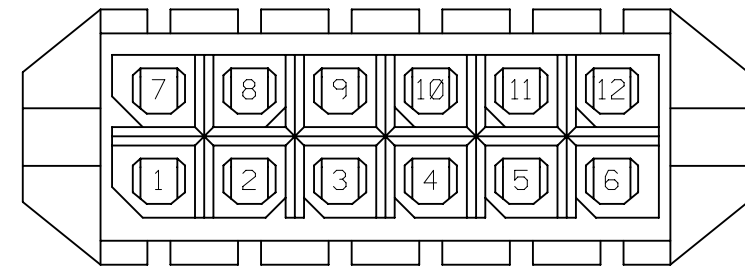
- NOTES:**
- MATERIAL:**  
HOUSING: LIQUID CRYSTAL POLYMER, GLASS FILLED, UL 94V-0, COLOR - BLACK  
TERMINALS: PHOSPHOR BRONZE ALLOY
  - FINISH:**  
(A) = .000100/0.00254 MIN. TIN OVER  
.000050/0.00127 MIN. NICKEL  
(B) = .000015/0.00038 MIN. SELECTIVE GOLD IN CONTACT AREA,  
.000100/0.00254 MIN. SELECTIVE TIN IN PC TAIL AREA,  
BOTH OVER .000050/0.00127 MIN. NICKEL  
(C) = .000030/0.00076 MIN. SELECTIVE GOLD IN CONTACT AREA,  
.000100/0.00254 MIN. SELECTIVE TIN IN PC TAIL AREA,  
BOTH OVER .000050/0.00127 MIN. NICKEL
  - PRODUCT SPECIFICATIONS:** PS-44300-001
  - PACKAGING SPECIFICATION:** PK-44769-001
  - THIS HEADER MATES WITH MOLEX MICRO-FIT BMI HEADER SERIES 45280, 44432, AND 44428, AND MOLEX MICRO-FIT BMI PLUG SERIES 44300.
  - MOLEX RECOMMENDS THE USE OF MICRO-FIT TEST PLUG (SERIES 44242) WHENEVER CONTINUITY TESTING IS PERFORMED. TEST PLUGS MUST NOT BE USED TO MAKE OR BREAK UNDER LOAD. MOLEX DOES NOT RECOMMEND USING STANDARD MATING COMPONENTS (SERIES 45280, 44432, 44428, OR 44300) FOR TESTING PURPOSES.
  - THIS PART CONFORMS TO CLASS 'B' REQUIREMENTS OF COSMETIC SPECIFICATION PS-45499-002.

|         |  |   |   |
|---------|--|---|---|
| SYMBOLS |  | THIS DRAWING CONTAINS INFORMATION THAT IS PROPRIETARY TO MOLEX ELECTRONIC TECHNOLOGIES, LLC AND SHOULD NOT BE USED WITHOUT WRITTEN PERMISSION |   |
| ▽ = 0   | IN/MM  | SCALE   | CURRENT REV DESC: ADD POLARIZATION                                      |
| ▽ = 0   | NTS  |   |   |
| ▽ = 0   | GENERAL TOLERANCES (UNLESS SPECIFIED)                |   |   |
| ▽ = 0   |  | MM  | INCH  |
| ▽ = 0   | 4 PLACES   | ±   | ±   |
| ▽ = 0   | 3 PLACES   | ±   | ± 0.01  |
| ▽ = 0   | 2 PLACES   | ± 0.25  | ± 0.014   |
| ▽ = 0   | 1 PLACE  | ± 0.35  | ±   |
| ▽ = 0   | 0 PLACES   | ±   | ±   |
| ▽ = 0   | ANGULAR TOL  | ± 0.5 °   |   |
| ▽ = 0   | DRAFT WHERE APPLICABLE MUST REMAIN WITHIN DIMENSIONS |   | THIRD ANGLE PROJECTION  |
|         |  |   | DRAWING SERIES  |
|         |  |   | C-SIZE 44769  |
|         |  |   | EC NO: 611105   |
|         |  |   | DRWN: JBAUMERT 2019/01/25   |
|         |  |   | CHK'D: SSOUSEK 2019/02/05   |
|         |  |   | APPR: FSMITH 2019/02/07   |
|         |  |   | INITIAL REVISION:   |
|         |  |   | DRWN: BURLESON 2000/07/13   |
|         |  |   | APPR: EDGLE Y 2000/07/13  |
|         |  |   | MOLEX   |
|         |  |   | MICRO-FIT (3.0) BMI VERTICAL RECEPTACLE HEADER ASSEMBLY, 4 - 24 CIRCUIT |
|         |  |   | PRODUCT CUSTOMER DRAWING  |
|         |  |   | DOCUMENT NUMBER   |
|         |  |   | DOC TYPE  |
|         |  |   | DOC PART  |
|         |  |   | REVISION  |
|         |  |   | SD-44769-001  |
|         |  |   | PSD 001 F1  |
|         |  |   | MATERIAL NUMBER   |
|         |  |   | CUSTOMER  |
|         |  |   | SHEET NUMBER  |
|         |  |   | SEE CHART   |
|         |  |   | GENERAL MARKET  |
|         |  |   | 1 OF 2  |

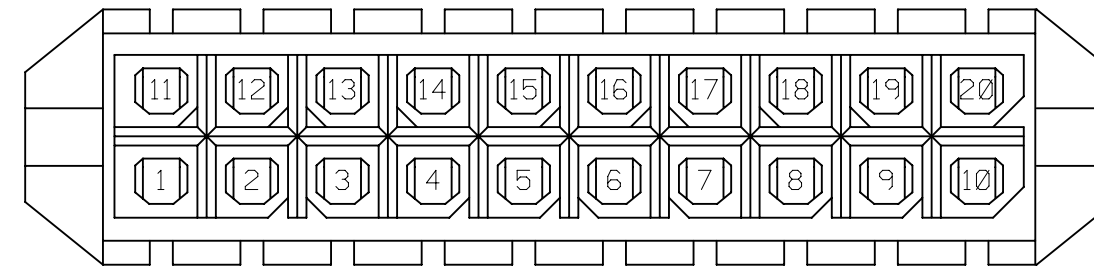
POLARIZATION LAYOUT



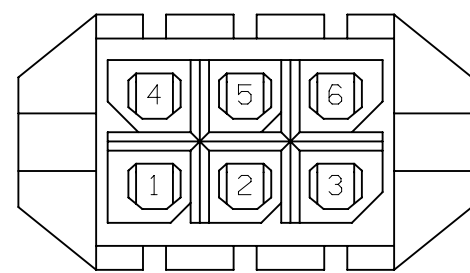
4 CIRCUIT



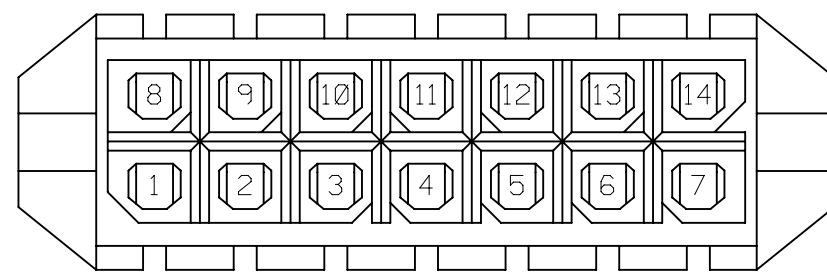
12 CIRCUIT



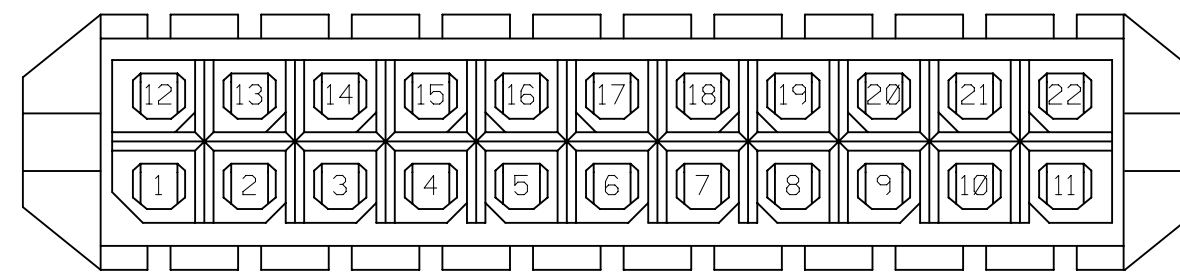
20 CIRCUIT



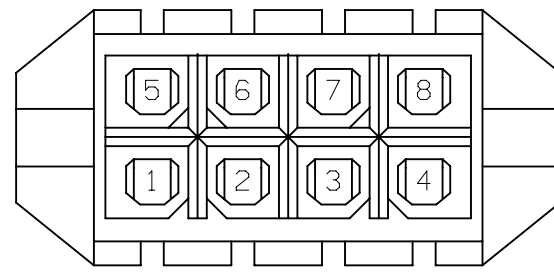
6 CIRCUIT



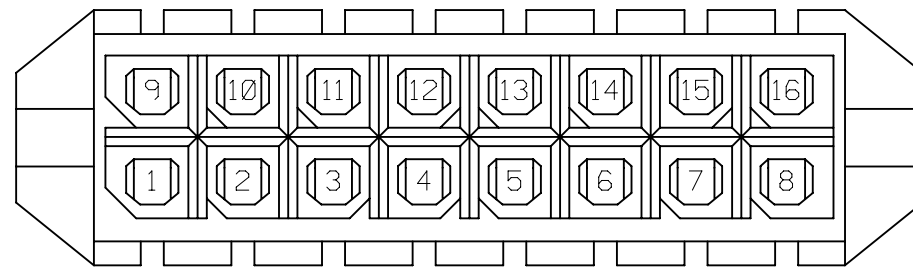
14 CIRCUIT



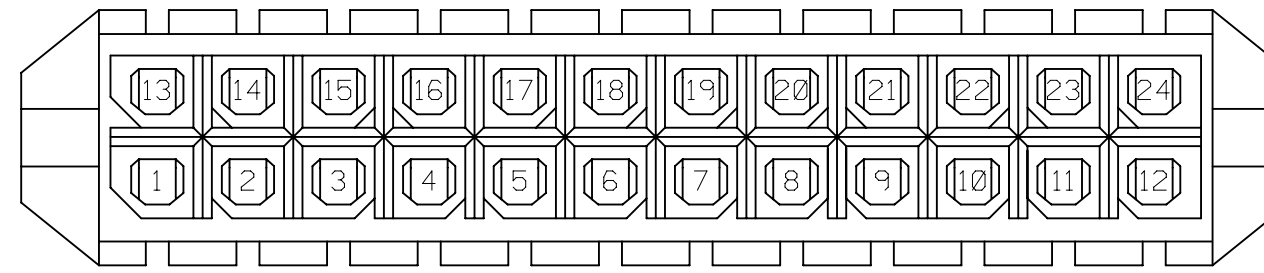
22 CIRCUIT



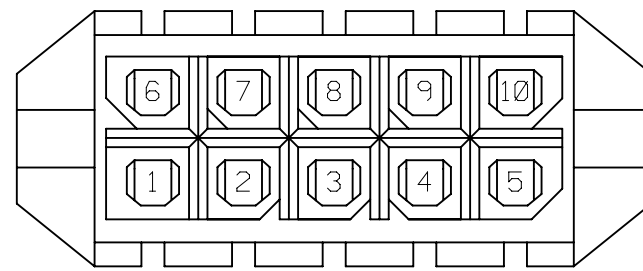
8 CIRCUIT



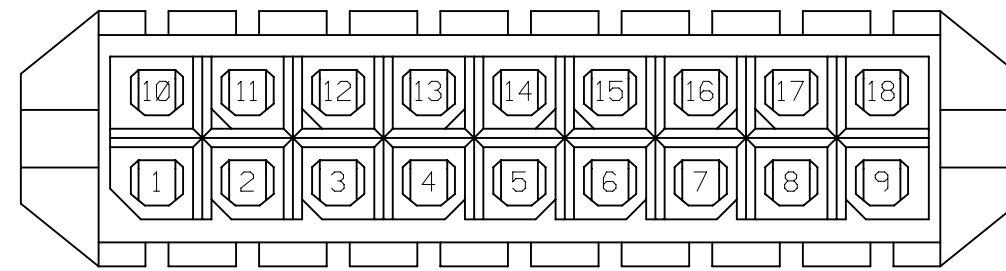
16 CIRCUIT



24 CIRCUIT



10 CIRCUIT



18 CIRCUIT

| MATERIAL NUMBER | NUMBER OF POSITIONS | PLATING OPTION |
|-----------------|---------------------|----------------|
| 44769-0401      | 04                  | A              |
| 44769-0402      | 04                  | B              |
| 44769-0403      | 04                  | C              |
| 44769-0601      | 06                  | A              |
| 44769-0602      | 06                  | B              |
| 44769-0603      | 06                  | C              |
| 44769-0801      | 08                  | A              |
| 44769-0802      | 08                  | B              |
| 44769-0803      | 08                  | C              |
| 44769-1001      | 10                  | A              |
| 44769-1002      | 10                  | B              |
| 44769-1003      | 10                  | C              |
| 44769-1201      | 12                  | A              |
| 44769-1202      | 12                  | B              |
| 44769-1203      | 12                  | C              |
| 44769-1401      | 14                  | A              |
| 44769-1402      | 14                  | B              |
| 44769-1403      | 14                  | C              |
| 44769-1601      | 16                  | A              |
| 44769-1602      | 16                  | B              |
| 44769-1603      | 16                  | C              |
| 44769-1801      | 18                  | A              |
| 44769-1802      | 18                  | B              |
| 44769-1803      | 18                  | C              |
| 44769-2001      | 20                  | A              |
| 44769-2002      | 20                  | B              |
| 44769-2003      | 20                  | C              |
| 44769-2201      | 22                  | A              |
| 44769-2202      | 22                  | B              |
| 44769-2203      | 22                  | C              |
| 44769-2401      | 24                  | A              |
| 44769-2402      | 24                  | B              |
| 44769-2403      | 24                  | C              |

|  |  |  |   |
|--|--|--|---|
| <b>SYMBOLS</b><br>DIMENSION UNITS: IN/MM<br>SCALE: NTS<br>GENERAL TOLERANCES (UNLESS SPECIFIED):<br>4 PLACES: ± 0.25 ± 0.014<br>3 PLACES: ± 0.35 ± 0.014<br>2 PLACES: ± 0.35 ± 0.014<br>1 PLACE: ± 0.35 ± 0.014<br>0 PLACES: ± 0.35 ± 0.014<br>ANGULAR TOL: ± 0.5°<br>DRAFT WHERE APPLICABLE MUST REMAIN WITHIN DIMENSIONS<br>THIRD ANGLE PROJECTION<br>DRAWING SERIES: C-SIZE 44769 | THIS DRAWING CONTAINS INFORMATION THAT IS PROPRIETARY TO MOLEX ELECTRONIC TECHNOLOGIES, LLC AND SHOULD NOT BE USED WITHOUT WRITTEN PERMISSION<br>CURRENT REV DESC: ADD POLARIZATION<br>EC NO: 611105<br>DRWN: JBAUMERT 2019/01/25<br>CHK'D: SSOUSEK 2019/02/05<br>APPR: FSMITH 2019/02/07<br>INITIAL REVISION:<br>DRWN: BURLESON 2000/07/13<br>APPR: EDGLEY 2000/07/13 |  | <p>MICRO-FIT (3.0) BMI VERTICAL RECEPTACLE HEADER ASSEMBLY, 4 - 24 CIRCUIT</p> <p>PRODUCT CUSTOMER DRAWING</p> <p>DOCUMENT NUMBER: SD-44769-001<br/>                 DOC TYPE: PSD<br/>                 DOC PART: 001<br/>                 REVISION: F1</p> <p>MATERIAL NUMBER: SEE CHART<br/>                 CUSTOMER: GENERAL MARKET<br/>                 SHEET NUMBER: 2 OF 2</p> |
|  | DOCUMENT STATUS: P1<br>RELEASE DATE: 2019/02/07 14:35:12   |  |   |