

PLEASE CHECK WWW.MOLEX.COM FOR LATEST PART INFORMATION

Part Number: [1200850014](#)
Status: **Active**
Overview: Brad Ultra-Lock Connection System
Description: Ultra-Lock (M12) Single Keyway with PG9 Cable Fitting, Female, 5 Pole, Straight, Cable Diameter 4.10-8.10mm

Documents:

[Drawing \(PDF\)](#) [RoHS Certificate of Compliance \(PDF\)](#)

Agency Certification

CSA LR6837

General

Product Family Field Attachable / Accessories
 Series [120085](#)
 Approvals N/A
 IP Rating IP69K
 Material - Contact Brass
 Overview [Brad Ultra-Lock Connection System](#)
 Product Name Ultra-Lock (M12)
 Type Field Attachable Connector
 UPC 78678897652

Physical

Cable Diameter 4.10 - 8.10mm (.161-.319")
 Coupling Type Push to Lock
 Diagnostics / LEDs No
 Diagnostics Port No
 Gender Female
 Keyway Single
 Material - Connector Body PA
 Material - Coupling Nut Nickel-plated Brass
 Material - Plating Mating Gold
 Net Weight 1.000/g
 Orientation Straight
 Poles 5
 Temperature Range - Operating -25°C to +90°C
 Wire Size AWG 18

Electrical

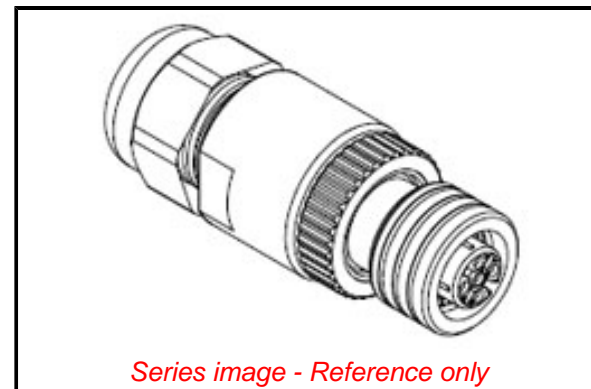
Current - Maximum per Contact 4.0A
 Voltage - Maximum 30V AC / 36V DC

Material Info

Engineering Number WA5000-32

Reference - Drawing Numbers

Sales Drawing SD-120085-005



Series image - Reference only

EU ELV

Not Relevant

EU RoHS

Compliant with Exemption 6(c)

REACH SVHC

Not Reviewed

Halogen-Free

Status

Not Low-Halogen

For more information, please visit [Contact US](#)

China ROHS

50 Image

ELV

Not Relevant

RoHS Phthalates

Not Contained

Search Parts in this Series

[120085 Series](#)