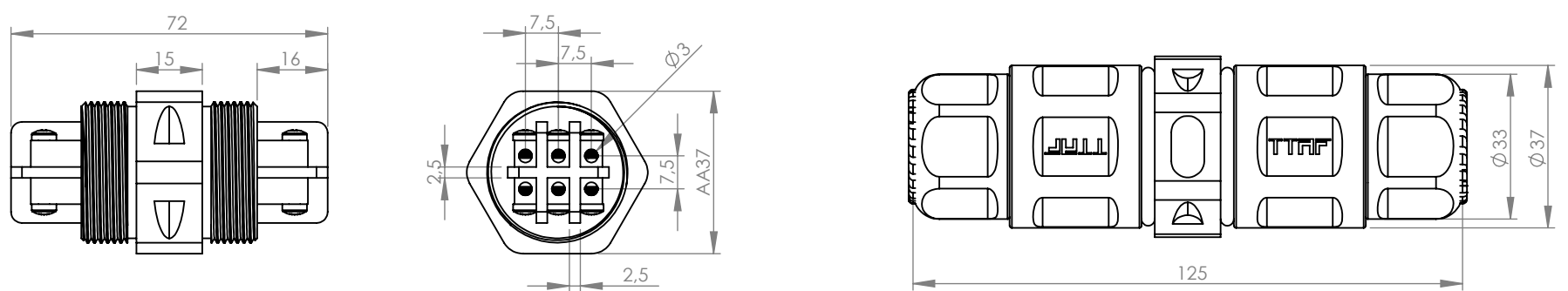


1 2 3 4 5 6

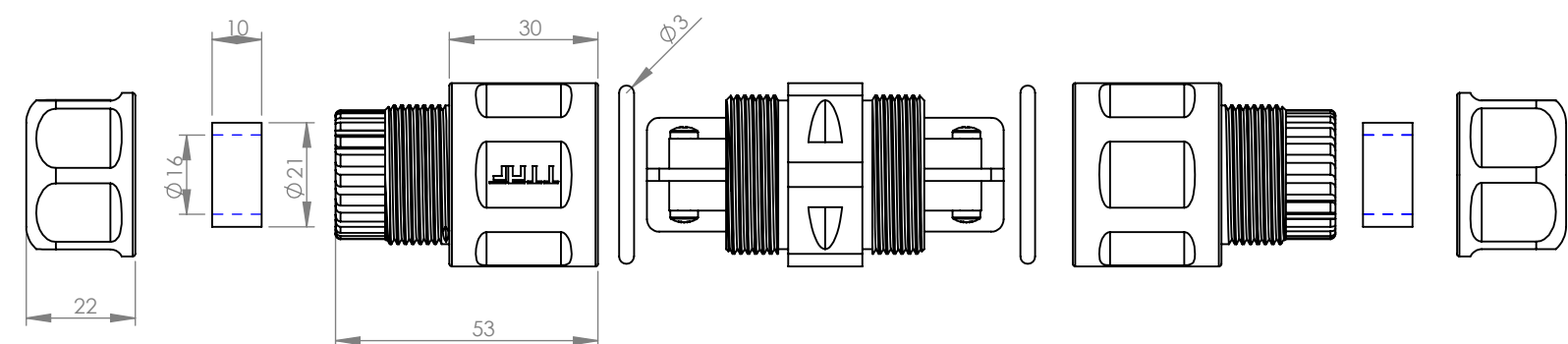
A

A



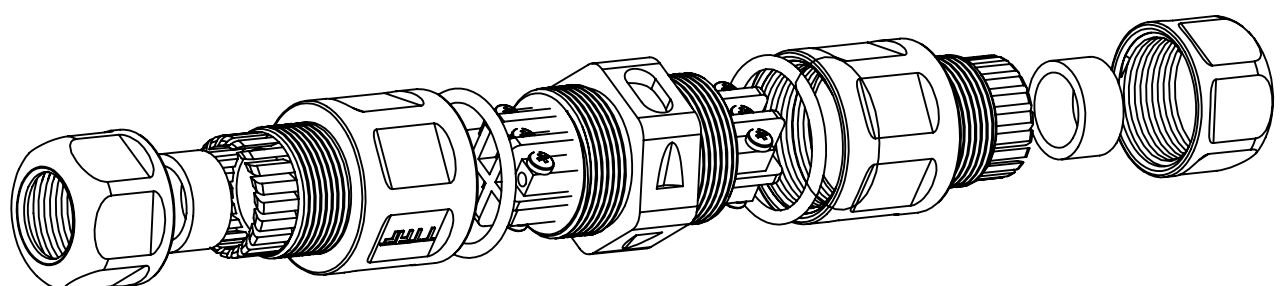
B

B



C

C



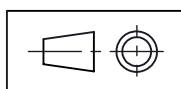
TECHNICAL SPECIFICATIONS

- Number of Poles : 6
- Voltage Rating : 250VAC
- Current Rating : 25A
- Durability Voltage : 1500VAC@60s.
- Insulation Structure : 1000 MΩ@1000VDC
- Contact Resistance : 1 mΩ
- Max.Kablo Kesiti : 4mm²
- Min. Wire Size OD : 10mm
- Max. Wire Size OD : 14mm
- Operating Temperature: -40°C ~ +85°C
- IP Rating : IP68
- Mold Material : PA6
- Contact/Terminal Material : Nickel-Plated Brass
- Seal Material : Silicon

D

D

Date	30.05.2017	Rev.		Revision Detail		Rev.Dt.		Rev.by		Part No/ Name	
Designed by	Ceyda T.		-							6 Pin Düz	
Checked by	Talat S.										
										Drawing Nr.	A4
										Scale	1:1
										Sheet No	1/1



1 2 3 4 5 6

A4