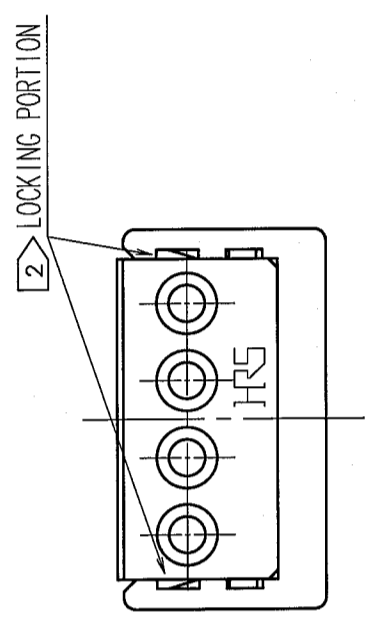
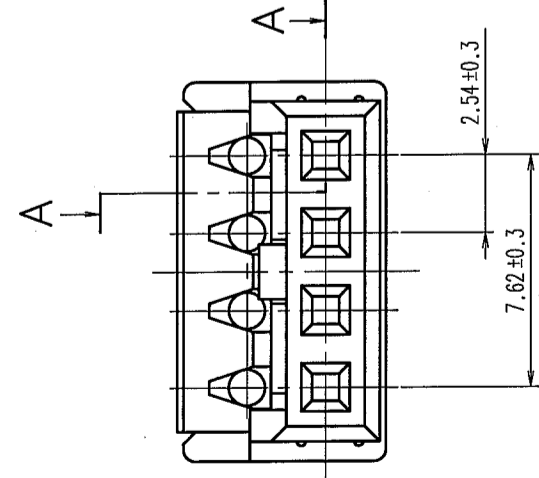
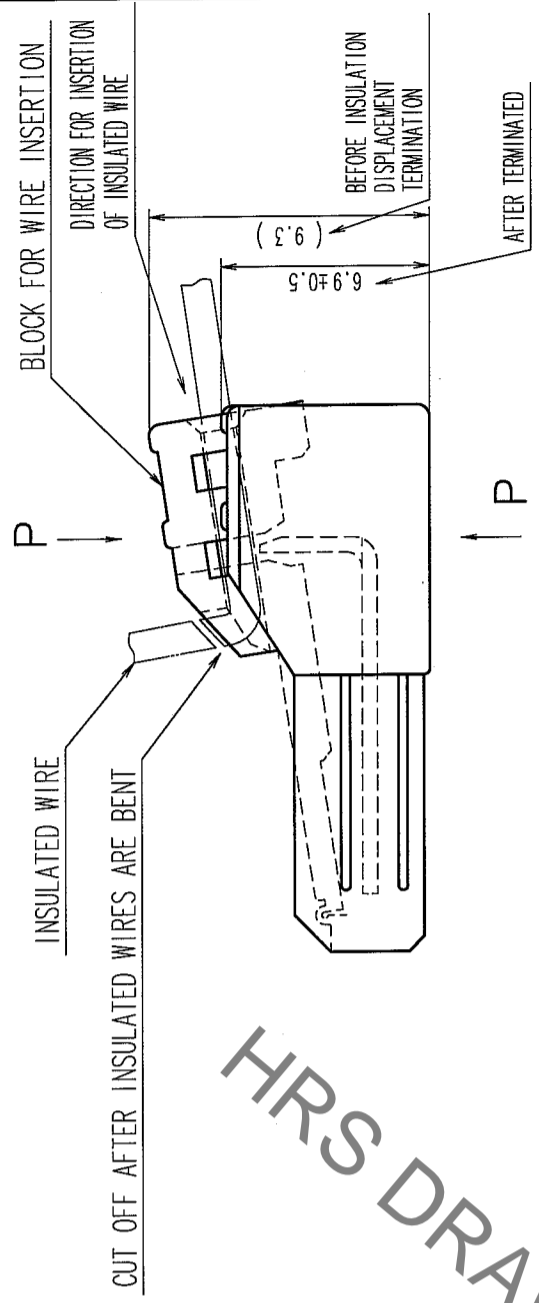
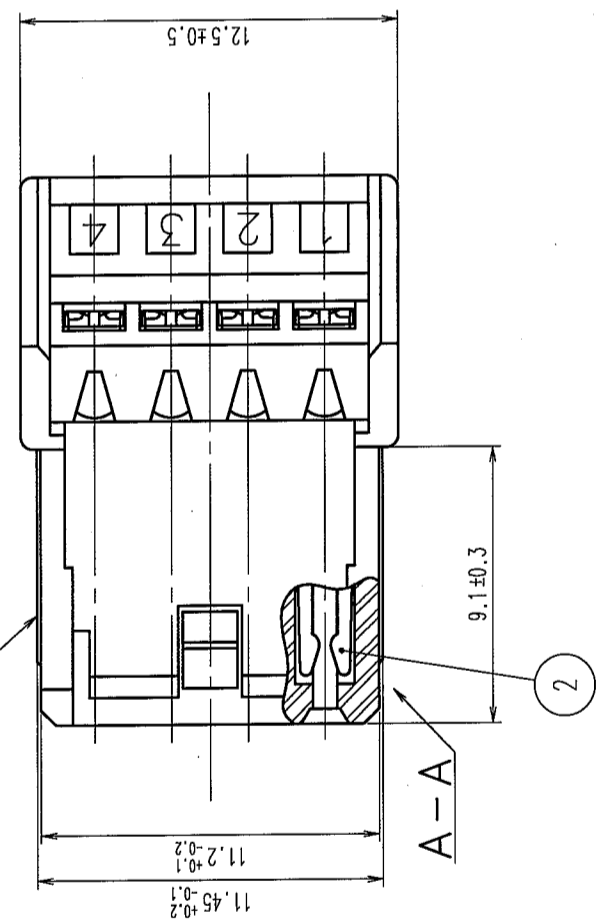


| COUNT | DESCRIPTION OF REVISIONS | BY | CHKD | DATE | COUNT | DESCRIPTION OF REVISIONS | BY | CHKD | DATE |
|-------|--------------------------|----|------|------|-------|--------------------------|----|------|------|
| △     |                          |    |      |      |       |                          |    |      |      |
| △     |                          |    |      |      |       |                          |    |      |      |
| △     |                          |    |      |      |       |                          |    |      |      |

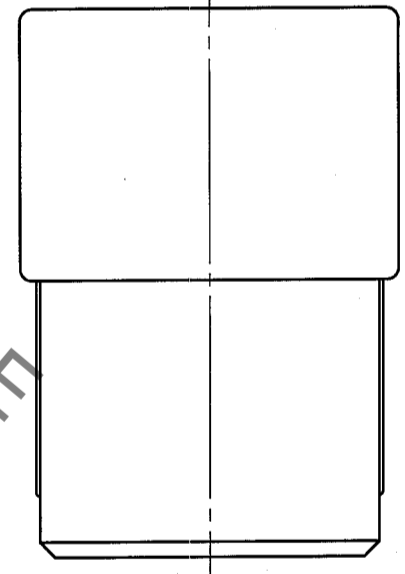
1 > FIG.1 CABLE ASSEMBLY



3 > TABLE -1  
THE APPLICABLE WIRE

| APPLICABLE WIRE    |                 |
|--------------------|-----------------|
| CONDUCTOR DIAMETER | JACKET DIAMETER |
| φ 0.4              | φ 0.66          |
| φ 0.5              | φ 0.8           |
| φ 0.65             | φ 1.05          |

- NOTES
- 1 > WHEN THIS PRODUCT ARE DELIVERED, BLOCK FOR WIRE INSERTION TO BE TEMPORARILY POSITIONED (UNLOCKED) SHOWN AS FIG.1.
  - 2 > THE TERMINATION METHOD SHALL CONFOR TO FIG.1 TO BEGIN WITH INSERT WIRES TO GO THROUGH AND BEND WIRES. AFTER THAT CUT OFF INSULATED WIRES WITH NIPPER. AND CRAMP IT WITH PLIERS IN THE 'P' DIRECTION, SHOWN AS FIG.1. (PLEASE MAKE SURE LOCKING PORTION ARE LOCKED.)
  - 3 > THE APPLICABLE WIRE IS SHOWN IN TABLE-1.



| NO. | MATERIAL  | FINISH, REMARKS | NO. | MATERIAL        | FINISH, REMARKS                                   |
|-----|-----------|-----------------|-----|-----------------|---|
| 1   | POLYAMIDE | BLACK UL94V-0   | 2   | PHOSPHOR BRONZE | TIN-COPPER PLATING 3μm<br>OVER NICKEL PLATING 2μm |

| CODE NO. (OLD) | CL | DRAWN              | DESIGNED           | CHECKED          | APPROVED         | RELEASED |
|----------------|----|--------------------|--------------------|------------------|------------------|----------|
|                |    | <i>J. Watanabe</i> | <i>T. Watanabe</i> | <i>H. Minato</i> | <i>H. Minato</i> |          |
|                |    | 05.09.27           | 05.09.27           | 05.09.27         | 05.09.27         |          |

| DRAWING NO.    | PART NO.        |
|----------------|-----------------|
| EDC3-041062-01 | MQ115-4S-1A(21) |

| SCALE | UNITS | CODE NO.        |
|-------|-------|-----------------|
| 4 : 1 | mm    | CL206-5131-0-21 |

|    |  |
|----|--|
| TO |  |
| Q  |  |