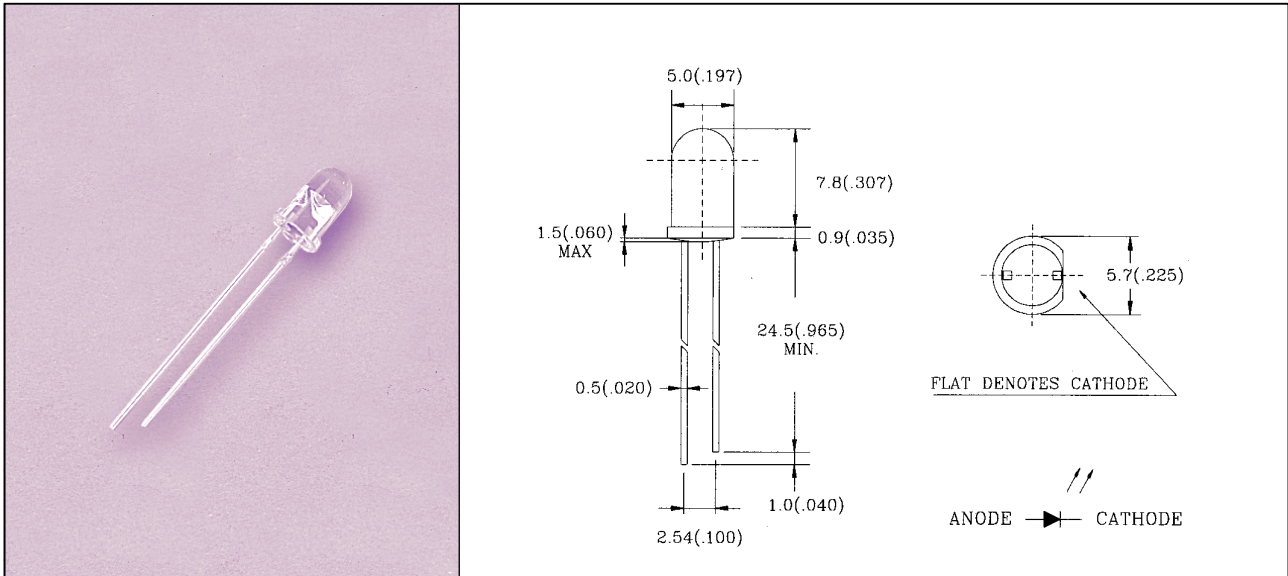


**L-51XXIR1C 5.0mm INFRARED EMITTING DIODE**



◆ **ABSOLUTE MAXIMUM RATING:(Ta=25°C)**

Part No.	P <sub>D</sub> (mw)	V <sub>R</sub> (V)	Topr	Tstg
L-51XXIR1C	100	5	-35°C to 85°C	-35°C to 85°C
<b>PARAMETER</b>	<b>Power Dissipation</b>	<b>Reverse Voltage</b>	<b>Operating Temperature Range</b>	<b>Storage Temperature Range</b>
<b>Lead Soldering Temperature {1.6mm(0.063 inch)From Body}250°C ±5°C For 3 Seconds</b>				

◆ **ELECTRO-OPTICAL CHARACTERISTICS:(Ta=25°C)**

Part No.	V <sub>F</sub> (V)			I <sub>R</sub> (μA)			λ <sub>p</sub> (nm)			2 θ <sub>1/2</sub> (dgc)			I <sub>e</sub> (mw/sr)		
	MIN	TYP	MAX	MIN	TYP	MAX	MIN	TYP	MAX	MIN	TYP	MAX	MIN	TYP	MAX
L-514EIR1C		1.2 1.4	1.6			10		940			20		17	30	
L-515EIR1C		1.2 1.4	1.6			10		940			25		14	25	
L-516EIR1C		1.2 1.4	1.6			10		940			30		12	23	
L-517EIR1C		1.2 1.4	1.6			10		940			35		10	20	
L-518EIR1C		1.2 1.4	1.6			10		940			40		8	18	
L-51AEIR1C		1.2 1.4	1.6			10		940			50		6	12	
L-514CIR1C		1.3 1.6	1.8			10		940			20		13	25	
<b>TEST CONDITION</b>	I <sub>F</sub> =20mA I <sub>F</sub> =100mA			V <sub>R</sub> =5V			I <sub>F</sub> =20mA			I <sub>F</sub> =20mA			I <sub>F</sub> =20mA		

- 1.All dimension are in millimeters (inches).
- 2.Tolerance is ± 0.25 mm (0.01") unless otherwise specified.