

## Data sheet

### OpDAT Industry IP67 V14 bulkhead normative mounting + SC-RJ/2SC MM adapter insert

Page 1/5

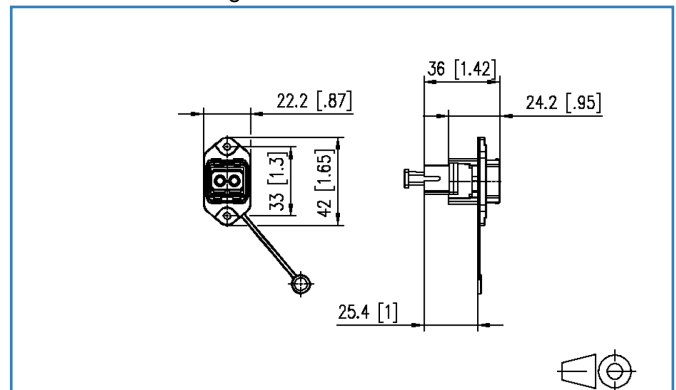
P/N  
1402193320ME  
EAN 4250184123620

2015-19-06

## Illustrations



Dimensional drawing



See enlarged drawings at the end of document

## Product specification

- flange with push-pull-lock acc. to ISO/IEC 24702 and IEC 61076-3-106 var. 14
- fiber optic cable coupler made of plastic
- slotted zirconium oxide ceramics sleeve (ZrO<sub>2</sub>) for single mode applications
- slotted metal sleeve (Ph-Br) for multi mode applications
- compliance with EN 50173-1:2011-09 and ISO/IEC 24702 with regard to limit values for insertion loss
- flame-retardant and halogen-free plastic housing and coupler dust covers
- easy to mount due to standard fastening by means of two screws (M3)
- mounting from the front
- industry-compatible metal housing with improved durability
- flammability class as per UL 94V-0
- improved resistance to chemical substances

variants:

LC-D	blue (SM), beige (MM)
SC-RJ/2SC	blue (SM), beige (MM)

# OpDAT Industry IP67 V14 bulkhead normative mounting + SC-RJ/2SC MM adapter insert

P/N  
1402193320ME  
EAN 4250184123620

2015-19-06

## Technical Data

### General Data

Fields of application	Harsh environment
Design	Adapter
Mounting style	front side
Transmission technology	Fiber optic
Color protective housing	metallike
Dimensions	
Dimension (L x W x H)	27.70 x 22.20 x 42.00 mm
Dimension (L x W x H)	1.09 x 0.87 x 1.65 in.
Mode type of the fiber	Multimode

### Connections/interfaces

Connector technology interface 1	SC-RJ/2SC
Connector technology interface 2	SC-RJ/2SC
Number of ports interface 1	1
Number of ports interface 2	1
Number of equipped ports interface 1	1
Number of ports interface 2 equipped	1
Number of ports with dust protection interface 1	1
Number of ports with dust protection interface 2	1
Protective housing interface 1	V14
Protective housing interface 2	V14

### Mechanical characteristics

Cut-out	SC, LC-D, E2000
Locking method (protective housing)	Push Pull
Mounting method	with screws
Mounting style	front side
Life - Number of mating cycles	min. 500

# OpDAT Industry IP67 V14 bulkhead normative mounting + SC-RJ/2SC MM adapter insert

P/N

1402193320ME

EAN 4250184123620

2015-19-06

## Technical Data

### Materials and material properties

Material - Housing	Plastics
Material - Protective housing	metal
Material - Sleeve	PhBr, slotted
Material - Dust protection	flame-retardant and halogen free

### Environmental conditions

Particulate ingress	IP6X with protective housing
Liquid ingress/immersion	IPX7 with protective housing
Increased chemical resistance	yes

### Certifications

Gost Certification	yes
--------------------	-----

### Approvals

RoHS	compliant
------	-----------

### The product meets the following standards

Generic cabling systems	
General requirements	DIN EN 50173-1:2011-09
Industrial area	ISO/IEC 24702 AMD 1   DIN EN 50173-3: 2011-09 TIA/EIA 1005
Degrees of Protection Provided by Enclosures	IEC 60529:2014-09
Connectors for electronic equipment	
Rectangular connectors	DIN EN 61076-3-117

### Classifications

ETIM 5.0	EC002597
----------	----------

### Packing details

Type of packaging	10 pc(s) / box
Packaging unit - Weight (gram)	636.00 g
Packaging unit - Weight (pound)	1.40 lb
Packaging dimension (D x W x H)	58.00 x 247.00 x 161.00 mm
Packaging dimension (D x W x H)	2.28 x 9.72 x 6.34 in.

Data sheet

Page 4/5

# OpDAT Industry IP67 V14 bulkhead normative mounting + SC-RJ/2SC MM adapter insert

P/N

1402193320ME

EAN 4250184123620

2015-19-06

## Accessories

P/N	Designation
1401088102KI	E-DAT Industry IP67 V14 bulkhead protection cap



Data sheet

Page 5/5

**OpDAT Industry IP67 V14 bulkhead normative mounting  
+ SC-RJ/2SC MM adapter insert**

P/N

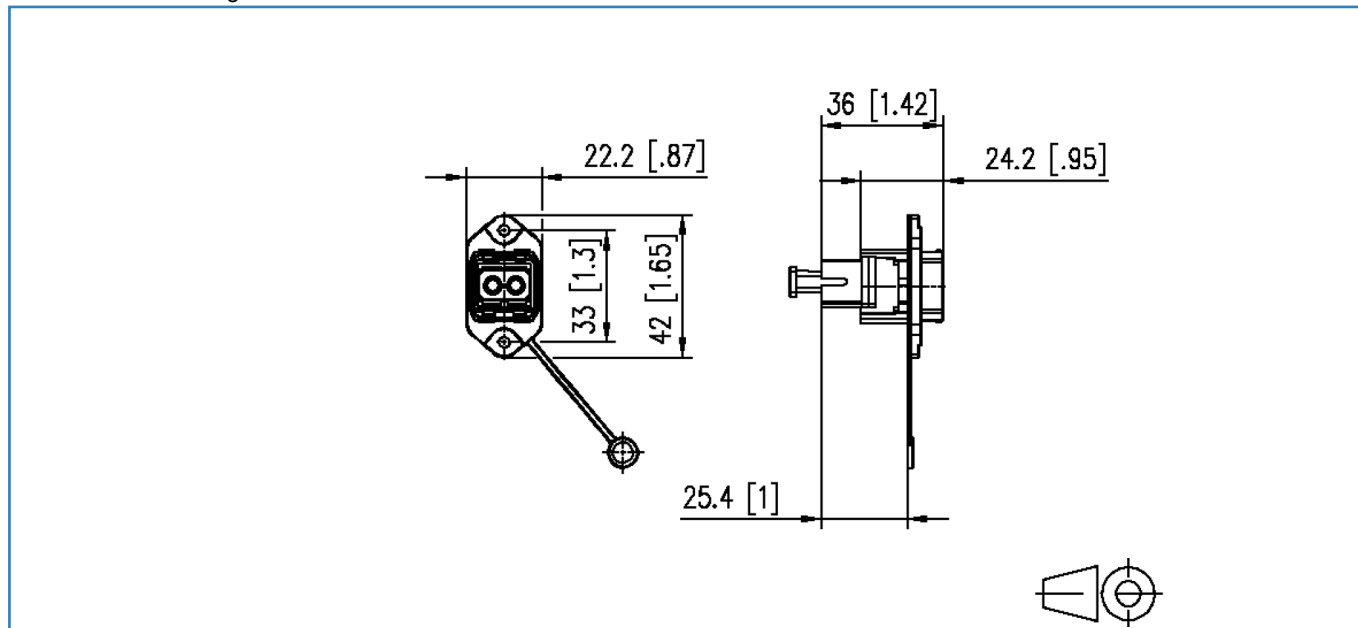
1402193320ME

EAN 4250184123620

2015-19-06

**Illustrations**

Dimensional drawing



© 2015 METZ CONNECT - Technische Änderungen vorbehalten! Subject to modifications! Sous réserve de modifications techniques!

