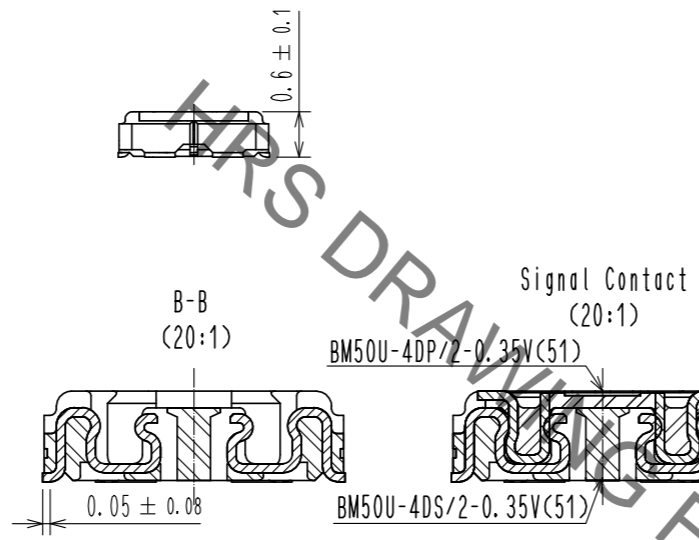
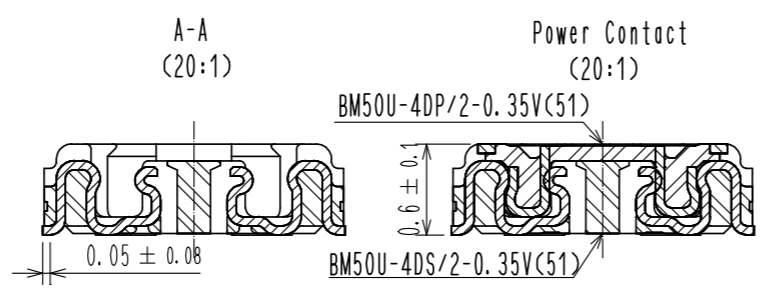
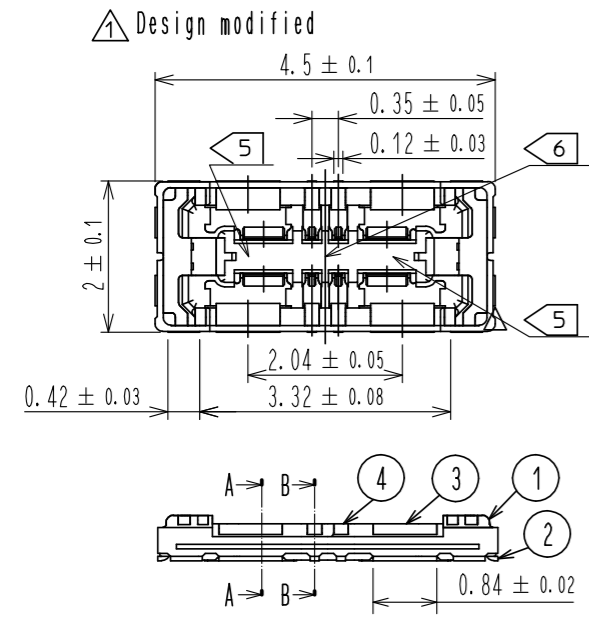
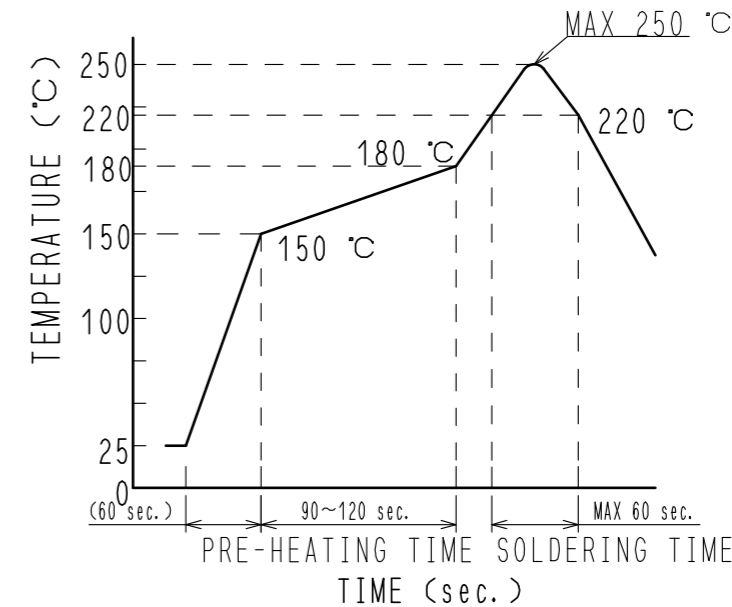
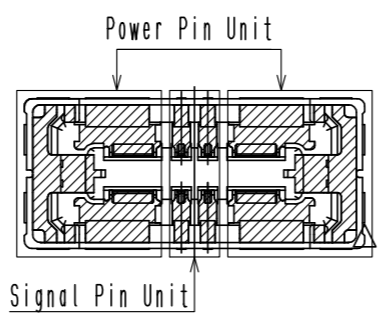
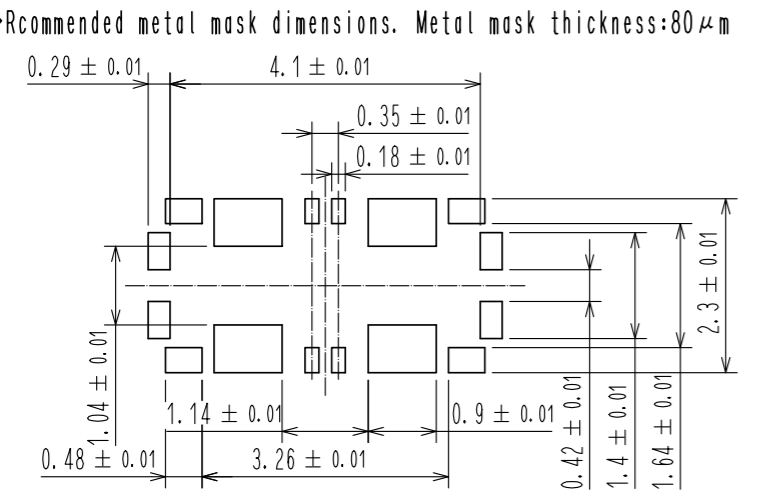
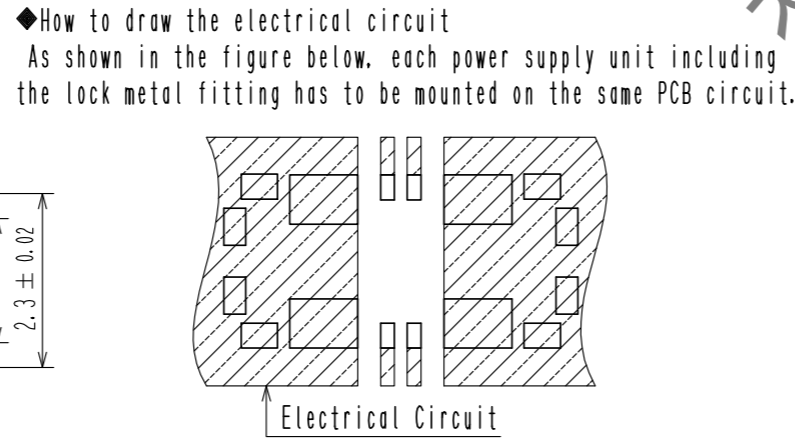
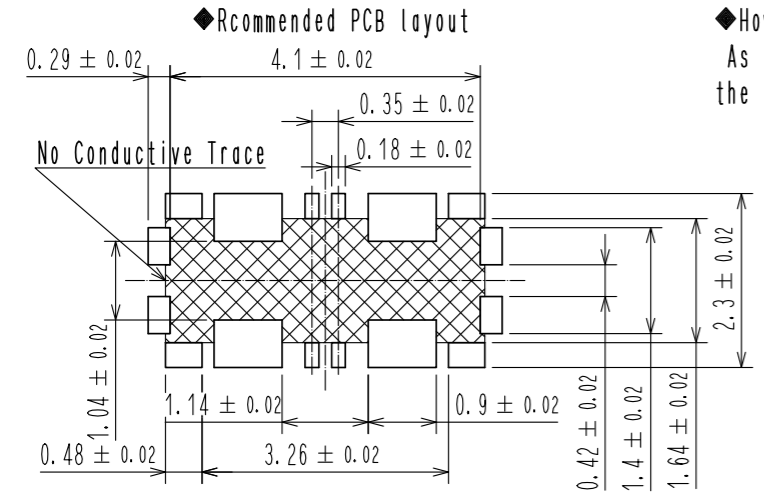


Nov.1.2021 Copyright 2021 HIROSE ELECTRIC CO., LTD. All Rights Reserved.
 In case of consideration for substantial equipment / device which demand high reliability, kindly contact our sales window 0687-9088-37-35 TY. MORISHITA

7 ◆ Recommended reflow temperature profile using lead-free solder paste.

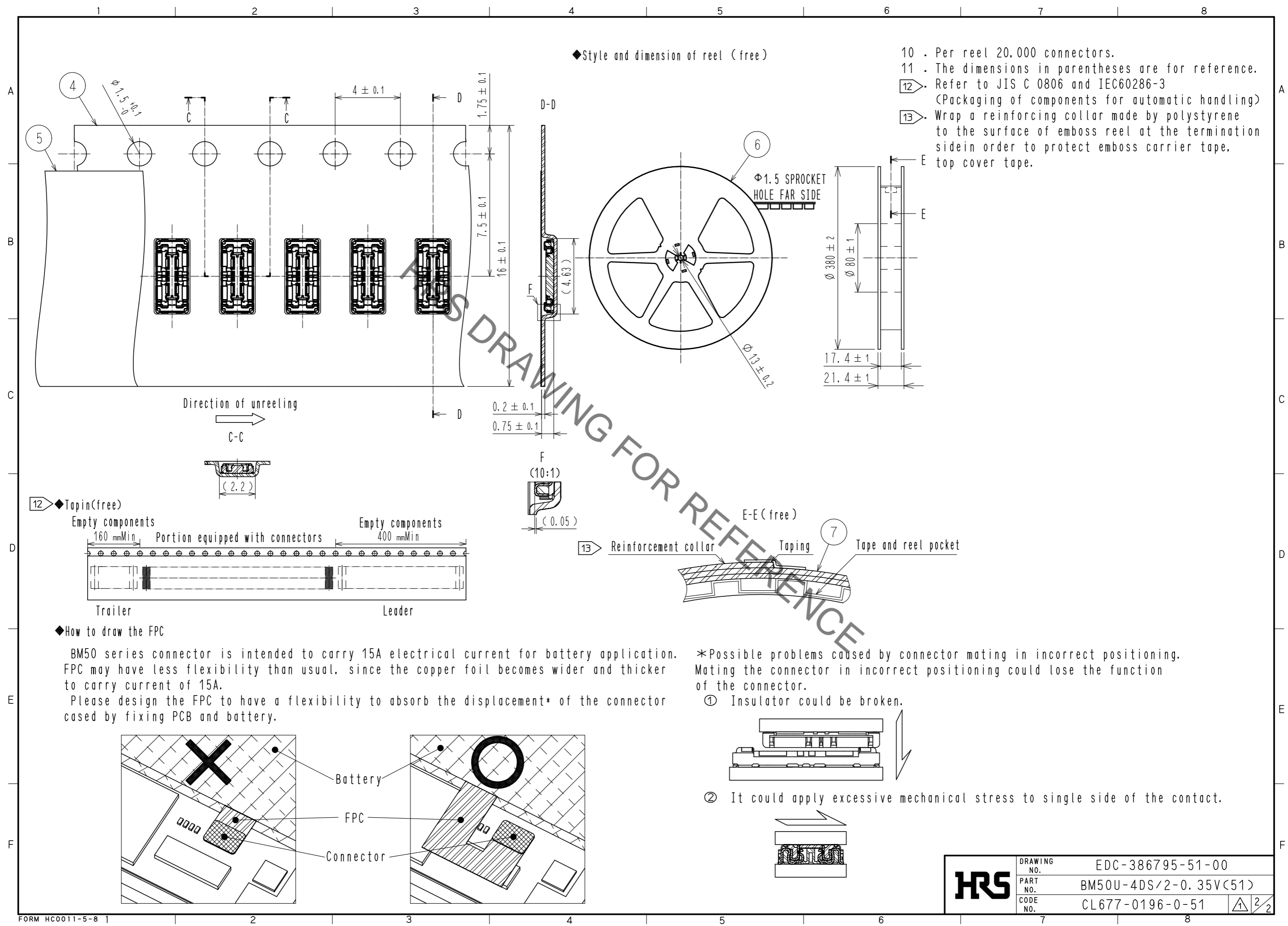


- NOTE
- All lead co-planarity shall be 0.08mm MAX. 8. Please contact us in case you will make different settings from our recommendation. For the routing on the indicated PCB surface, apply solder resist in order for the insulation treatment.
 - Plating specifications
 - Contact area : Gold 0.1μm MIN
 - SMT lead : Gold 0.076μm MIN
 - Under plating : Nickel 2μm MIN (Surface : Sealing)
 - Product color : Black
 - Manufacturing process : Insertion molding.
 - HRS mark and cavity No. are indicated.
 - Lot No. are indicated.
 - Reflow method: IR reflow
 - Number of reflow cycles: 2 cycles MAX.
 - 1) Reflow time
 - Duration above 220°C: 60 sec MAX. (Peak temperature: 250°C MAX)
 - 2) Pre-heat time
 - Pre-heat temperature(MIN): 150°C
 - Pre-heat temperature(MAX): 180°C
 - Pre-heat time: 90-120 sec.
- △ 9 No gold plating is acceptable for this area.

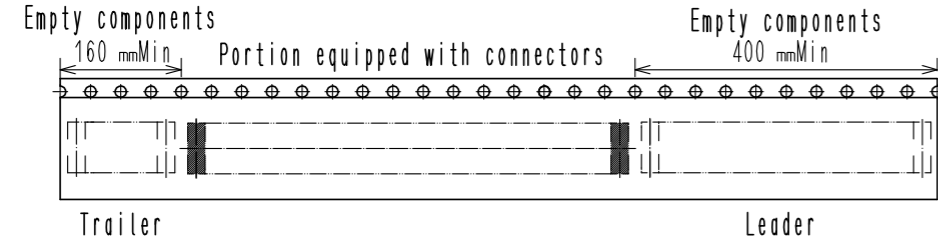


4	COPPER ALLOY	2	8	PS	CLEAR, REINFORCEMENT COLLAR	
3	COPPER ALLOY	2	7	PS	BLACK, PLASTIC REEL	
2	COPPER ALLOY	2	6	Polyester	CLEAR, COVER TAPE	
1	LCP		5	PS	CLEAR, EMBOSSED CARRIER TAPE	
NO.	MATERIAL	FINISH, REMARKS	NO.	MATERIAL	FINISH, REMARKS	
UNITS	mm	SCALE	10:1	COUNT	3	
APPROVED			WR. FUKUCHI	20190610	DESIGNED	ST. HIRONAKA
CHECKED			TY. OOI	20190610	CHECKED	TY. OOI
DESIGNED			ST. HIRONAKA	20190607	DATE	20190927
DRAWN			ST. HIRONAKA	20190607	DRAWING NO. EDC-386795-51-00	
PART NO. BM50U-4DS/2-0.35V(51)						
CODE NO. CL677-0196-0-51						

Nov.1.2021 Copyright 2021 HIROSE ELECTRIC CO., LTD. All Rights Reserved.
 In case of consideration for using Automotive equipment / device which demand high reliability, kindly contact our sales window 03-6879-0837/5 TY. MORISHITA



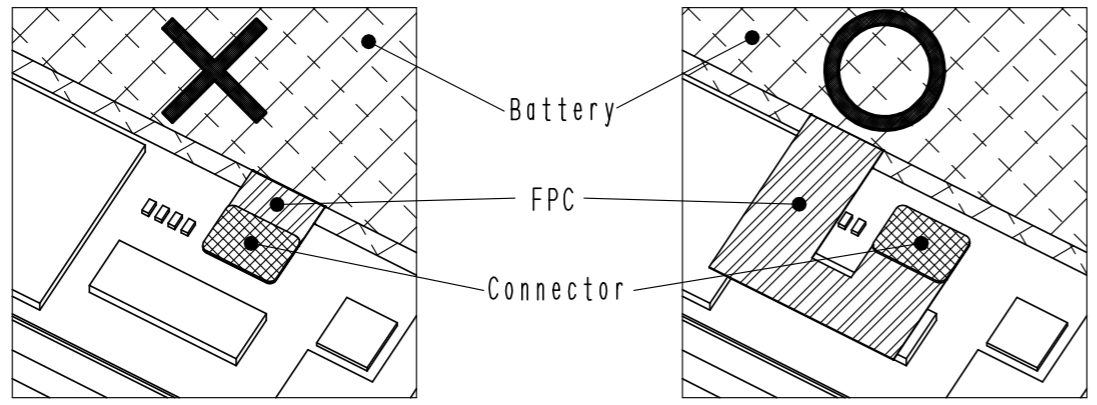
12 Tapin (free)



◆How to draw the FPC

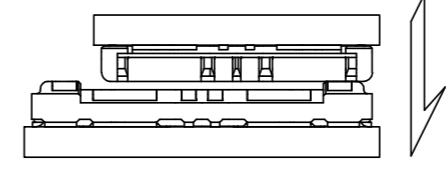
BM50 series connector is intended to carry 15A electrical current for battery application. FPC may have less flexibility than usual, since the copper foil becomes wider and thicker to carry current of 15A.

Please design the FPC to have a flexibility to absorb the displacement* of the connector caused by fixing PCB and battery.

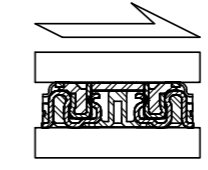


*Possible problems caused by connector mating in incorrect positioning. Mating the connector in incorrect positioning could lose the function of the connector.

① Insulator could be broken.



② It could apply excessive mechanical stress to single side of the contact.



HRS	DRAWING NO.	EDC-386795-51-00	2/2
	PART NO.	BM50U-4DS/2-0.35V(51)	
	CODE NO.	CL677-0196-0-51	