

Part number	LVDS-FI-X30HL-DF13-40DS-PHR-10-120-80-685624.068
Type	LVDS for G121EAN01.0 and client board
Length	120 mm and 80 mm
Connector 1	FI-X30HL
Connector 2	DF13-40DS
Connector 3	PHR-10

Connector 1 FI-X30HL	
1	12V
2	12V
3	12V
4	12V
5	BL EN
6	BL DIM
7	
8	
9	Vcc
10	Vcc
11	GND BL
12	GND BL
13	RX00-
14	RX00+
15	GND
16	RX01-
17	RX01+
18	GND
19	RX02-
20	RX02+
21	GND
22	RXOC-
23	RXOC+
24	GND
25	RX03-
26	RX03+
27	GND
28	SEL
29	GND
30	

length = 120 mm

Connector 2 PHDR-40	
Connector 2 DP2.0-2x15P	
1	Vcc
2	Vcc
3	
4	GND
5	
6	
7	RX00-
8	
9	RX00+
10	
11	GND
12	
13	RX01-
14	
15	RX01+
16	
17	
18	
19	RX02-
20	
21	RX02+
22	
23	
24	
25	RXOC-
26	
27	RXOC+
28	
29	GND
30	
31	
32	
33	GND
34	
35	RX03-
36	
37	RX03+
38	
39	
40	SEL

length = 80 mm

Connector 3 PHR-6	
1	BL DIM
2	BL EN
3	12V
4	12V
5	12V
6	12V
7	GND BL
8	GND BL
9	GND BL
10	GND BL



Цепь	Конт.
NC	7
NC	8
NC	30
VCC	9
VCC	10
RX0-	13
RX0+	14
GND	15
GND	18
RX1-	16
RX1+	17
GND	21
GND	24
RX2-	19
RX2+	20
GND	27
GND	29
RXCLK-	22
RXCLK+	23
RX3-	25
RX3+	26
SEL6/8	28
Dimming	6
ENLED	5
12V	1
12V	2
12V	3
12V	4
GND	11
GND	12

Вилка FI-X30HL

"LVDS1"

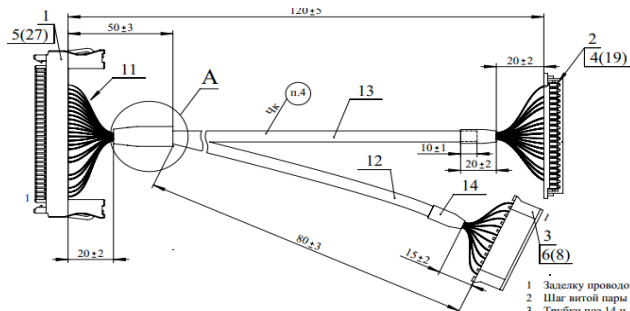
Конт.	Цепь
1	VDD PANEL
2	VDD PANEL
7	LVDS A DATA0-
9	LVDS A DATA0+
4	GND
11	GND
13	LVDS A DATA1-
15	LVDS A DATA1+
17	GND
23	GND
19	LVDS A DATA2-
21	LVDS A DATA2+
29	GND
33	GND
25	LVDS A CLK-
27	LVDS A CLK+
35	LVDS A DATA3-
37	LVDS A DATA3+
40	GND

Розетка DF13-40DS.

"XP22"

Конт.	Цепь
1	BKL_CTRL
2	BKL_EN
3	VBKL
4	VBKL
5	VBKL
6	VBKL
7	GND
8	GND
9	GND
10	GND

Розетка PHR-10



- 1 - Заднюю проволоку
- 2 - Шаг винтовой пары
- 3 - Трубки поз.14 и 1.