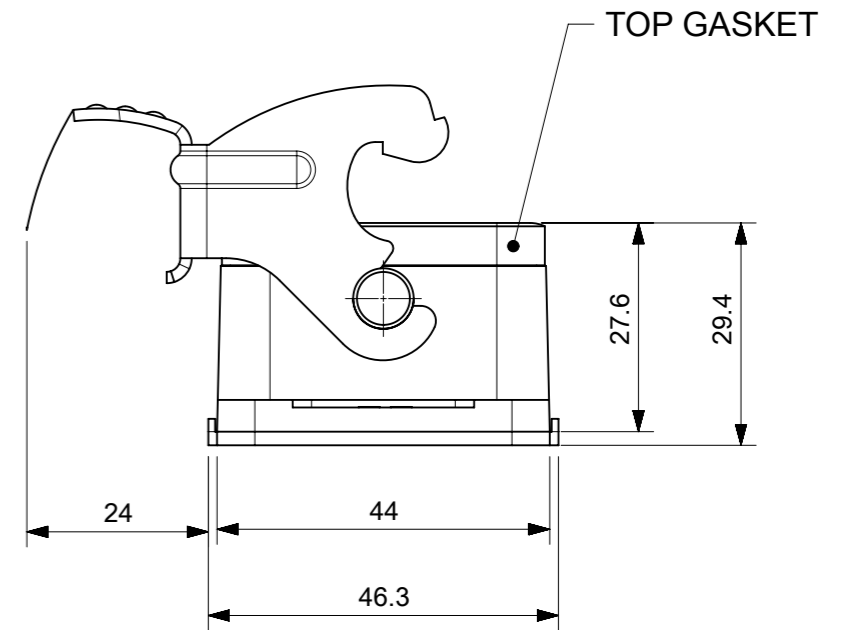
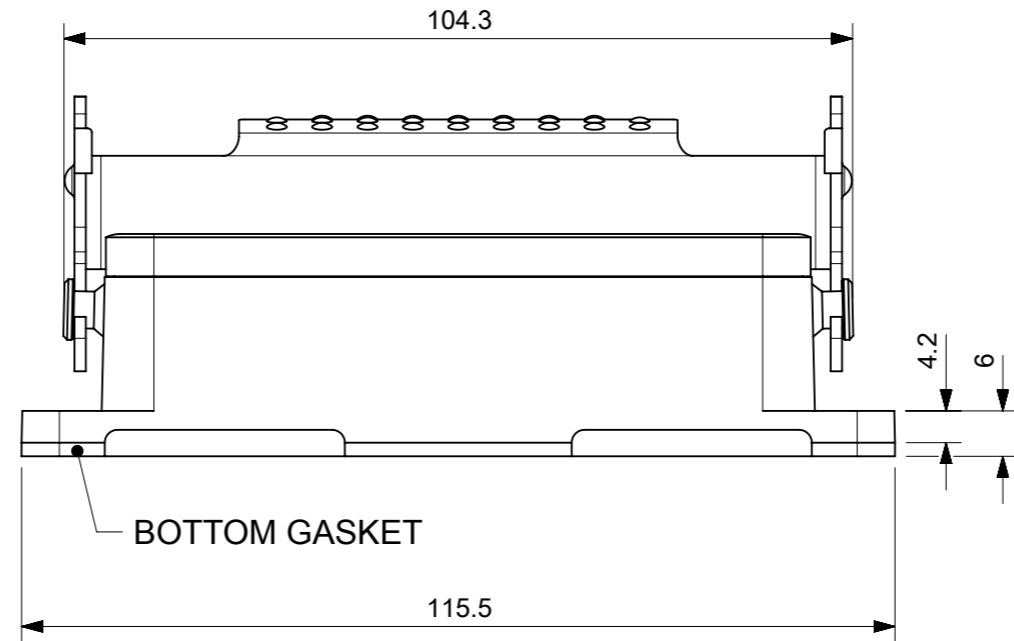
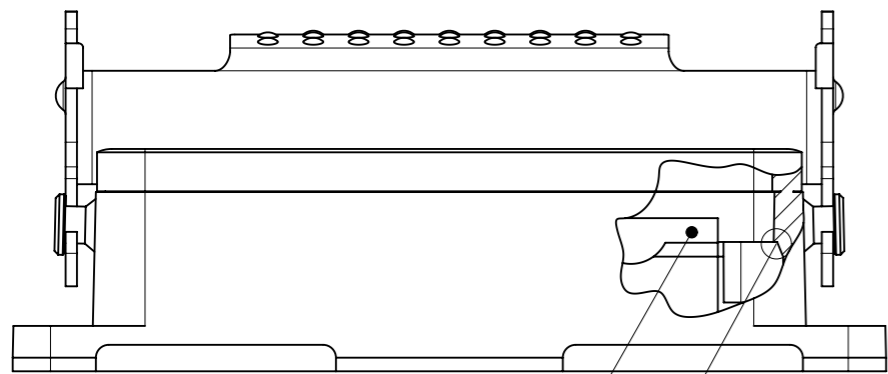


STANDARD HIGH VOLTAGE VERSION

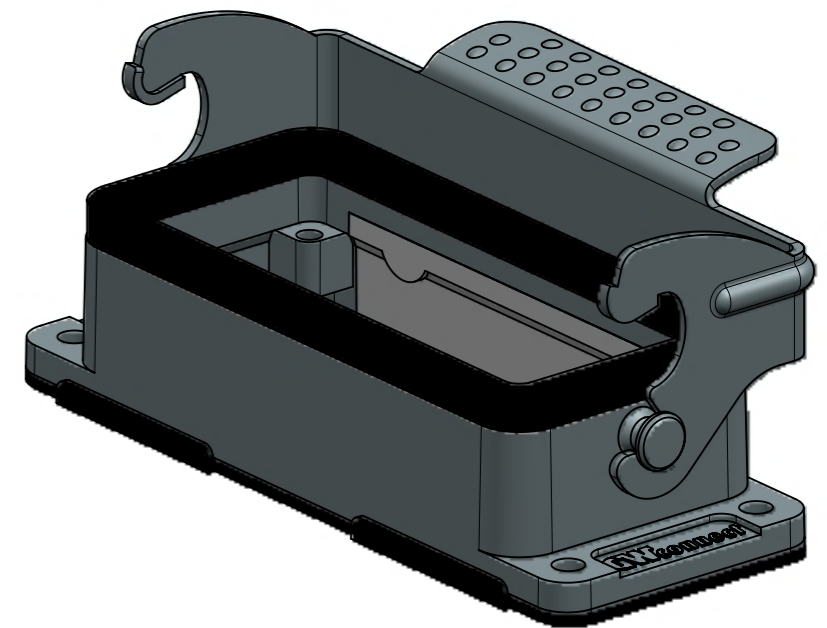
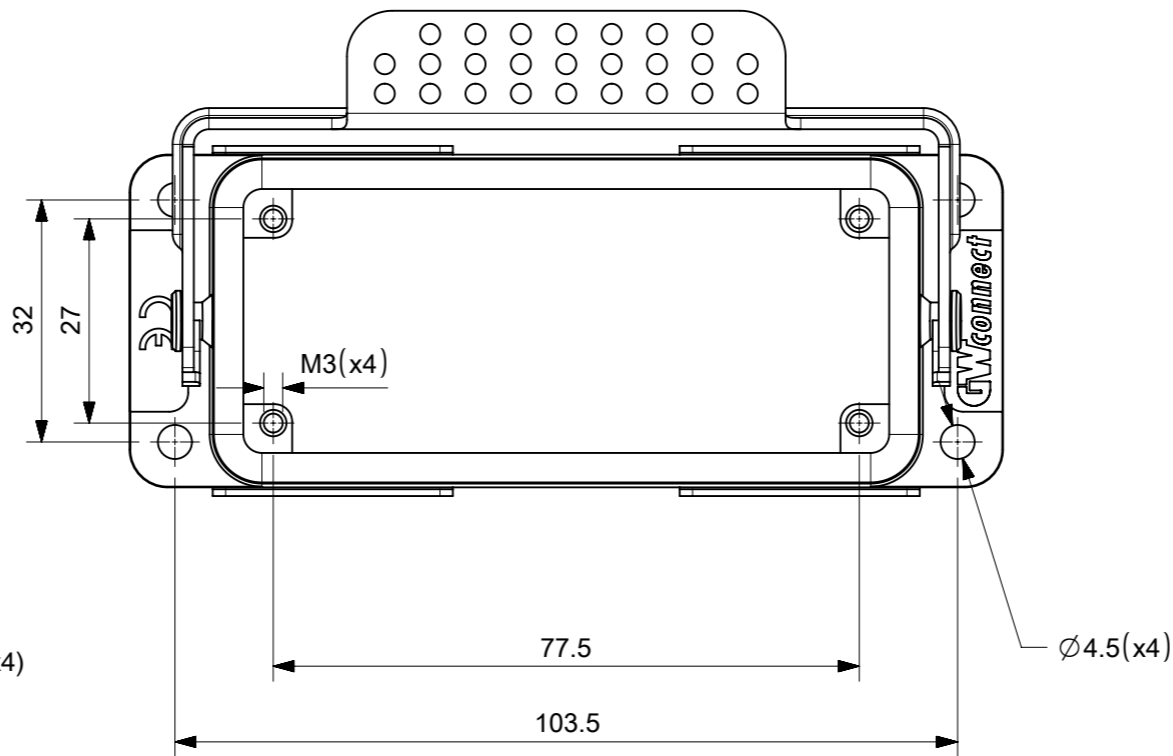
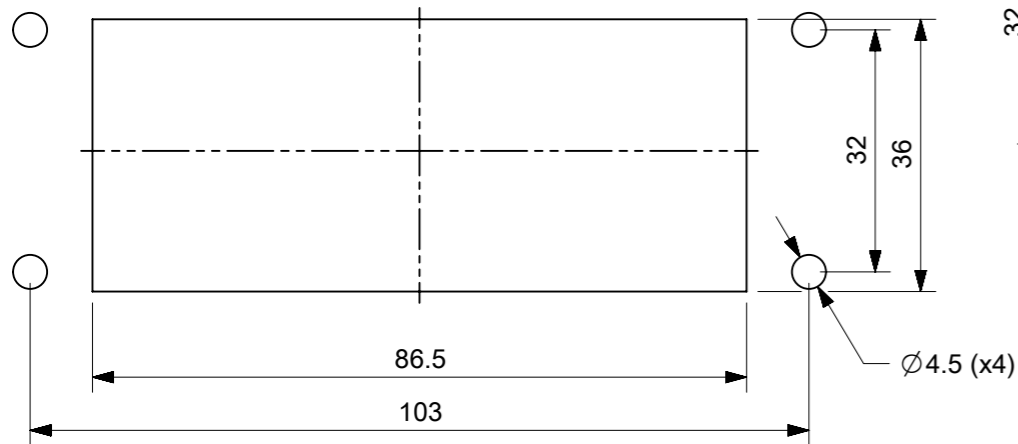
STANDARD VERSION



ISULATING ADHESIVE TAPE ON BOTH SIDES

SUITABLE FOR HIGH VOLTAGE INSERTS

PANEL CUT OUT



SAP.No.	Eng.No.	TYPE
936012571	7816.6405.0	STANDARD
936012573	7816.6405.2	STANDARD HIGH VOLTAGE

SYMBOLS ▽ = 0 ▽ = 0 ▽ = 0 ▽ = 0 ▽ = 0 ▽ = 0 ▽ = 0 ▽ = 0 ▽ = 0 ▽ = 0 ▽ = 0 ▽ = 0 ▽ = 0 ▽ = 0 ▽ = 0	THIS DRAWING CONTAINS INFORMATION THAT IS PROPRIETARY TO MOLEX ELECTRONIC TECHNOLOGIES, LLC AND SHOULD NOT BE USED WITHOUT WRITTEN PERMISSION DIMENSION UNITS: mm SCALE: 1:1 GENERAL TOLERANCES (UNLESS SPECIFIED) ANGULAR TOL: ± °	CURRENT REV DESC: EC NO: 177920 DRWN: AKHEMIRI 2018/06/11 CHK'D: DMERONI 2018/06/11 APPR: AMELZI 2018/06/12 INITIAL REVISION: DRWN: AKHEMIRI 2018/06/08 APPR: AMELZI 2018/06/12	
	16B STANDARD AND HIGH VOLTAGE BULKHEAD MOUNTING HOUSING 1 LEVER		
	PRODUCT CUSTOMER DRAWING		
DOCUMENT NUMBER: 936012573		DOC TYPE: PSD DOC PART: 000 REVISION: A	SHEET NUMBER: 1 OF 1
DRAFT WHERE APPLICABLE MUST REMAIN WITHIN DIMENSIONS	FIRST ANGLE PROJECTION	DRAWING: A3-SIZE SERIES: 93601	MATERIAL NUMBER: SEE TABLE CUSTOMER: GENERAL MARKET