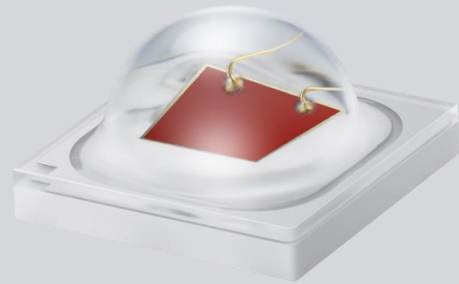


High Power LED Series 3535 Ceramic

LH351H

660nm Red



Features & Benefits

- Package : 2pad design package with Al₂O₃
- Dimension : 3.5 mm X 3.5 mm
- Technology : AlGaInP
- Operates at a maximum current of up to 1.0 A

Applications

- Horticulture



Table of Contents

| | | | |
|-----|-------------------------------------|-------|----|
| 1. | Characteristics | ----- | 3 |
| 2. | Product Code Information | ----- | 4 |
| 3. | Typical Characteristics Graphs | ----- | 6 |
| 4. | Outline Drawing & Dimension | ----- | 8 |
| 5. | Reliability Test Items & Conditions | ----- | 9 |
| 6. | Soldering Conditions | ----- | 10 |
| 7. | Tape & Reel | ----- | 11 |
| 8. | Label Structure | ----- | 13 |
| 9. | Packing Structure | ----- | 14 |
| 10. | Precautions in Handling & Use | ----- | 16 |

1. Characteristics

a) Absolute Maximum Rating

| Item | Symbol | Rating | Unit | Condition |
|-------------------------------------|-----------|------------|---------|-----------|
| Ambient / Operating Temperature | T_a | -40 ~ +105 | °C | Note 1)* |
| Storage Temperature | T_{stg} | -40 ~ +105 | °C | - |
| LED Junction Temperature | T_j | 125 | °C | - |
| Forward Current (T_j : 25 °C) | I_F | 1000 | mA | Note 2)*- |
| Reverse Voltage (@ 10 mA) | V_r | 1.1 | V | - |
| Assembly Process Temperature | | 280 <10 | °C s | - |
| ESD (HBM) | - | ±8 | kV | - |

Notes:

- 1) Refer to the derating curve, '3. Typical Characteristics Graph', for proper driving current that maintained below maximum junction temperature.
- 2) Unpredictable performance may be resulted by driving the product at above Max. I_F . But there will be no damage to the product.

b) Electro-optical Characteristics

| Item | Unit | Condition | | Value Typ. |
|--------------------------------------------------|--------|------------|------------|---------------|
| | | I_F (mA) | T_j (°C) | |
| Radiant Power (Φ_E) | mW | 350 | 25 | 425 |
| Forward Voltage (V_F) | V | 350 | 25 | 2.1 |
| Thermal Resistance (junction to solder point) | °C/W | 350 | 25 | 2.5 |
| Beam Angle | ° | 350 | 25 | 120 |
| Peak wavelength (λ_p) | nm | 350 | 25 | 660 |
| Dominant wavelength (λ_D) | nm | 350 | 25 | 643 |
| Photosynthetic Photon Flux | µmol/s | 350 | 25 | 2.32 |

Notes:

- 1) Samsung maintains measurement tolerance of: Radiant Power = ±7 %, forward voltage = ±0.1 V, Wavelength = ±2 nm
- 2) Characteristics @ 25 °C are for reference only

2. Product Code Information

| | | | | | | | | | | | | | | | | | |
|---|---|---|---|---|---|---|---|---|----|----|----|----|----|----|----|----|----|
| 1 | 2 | 3 | 4 | 5 | 6 | 7 | 8 | 9 | 10 | 11 | 12 | 13 | 14 | 15 | 16 | 17 | 18 |
|---|---|---|---|---|---|---|---|---|----|----|----|----|----|----|----|----|----|

S P H R D 1 L 3 D H 0 0 A 4 R 2 D 2

| Digit | PKG Information | Code | Specification |
|-------|----------------------------|------------|---------------|
| 1 2 3 | Samsung Package High Power | SPH | |
| 4 5 | Color | RD | Red |
| 6 | Product Version | 1 | |
| 7 8 | Product | L3 | LH351 Series |
| 9 | Lens Type | D | Dome lens |
| 10 | Internal Code | H | |
| 11 | Not Defined | 0 | Default |
| 12 | CRI & Sorting Temperature | 0 | Default 25 °C |
| 13 14 | Forward Voltage (V) | A 4 | 1.9 ~ 2.4 |
| 15 16 | Wavelength (nm) | R 2 | 650 ~ 670 |
| 17 18 | Radiant Power (mW) | D 2 | 390 ~ |

a) Voltage Bins ($I_F = 350 \text{ mA}$, $T_j = 25 \text{ }^\circ\text{C}$)

| Product Code | Voltage Rank | Voltage Bin | Voltage Range (V) |
|--------------------|--------------|-------------|-------------------|
| SPHRD1L3DH00A4R2D2 | A4 | A4 | 1.9 ~ 2.4 |

b) Wavelength Bins ($I_F = 350 \text{ mA}$, $T_j = 25 \text{ }^\circ\text{C}$)

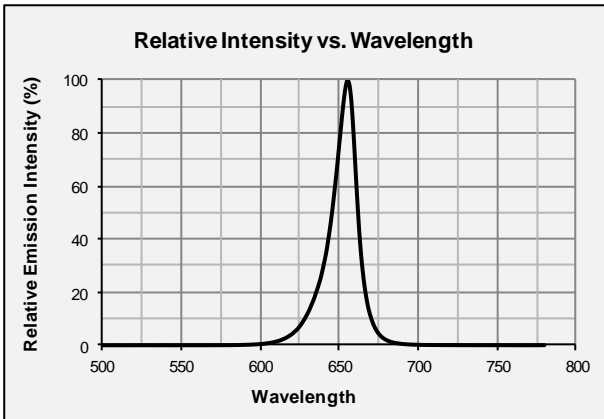
| Product Code | Wavelength Rank | Wavelength Bin | Wavelength Range (nm) |
|--------------------|-----------------|----------------|-----------------------|
| SPHRD1L3DH00A4R2D2 | R2 | R2 | 650 ~ 670 |

c) Radiant Power Bins ($I_F = 350 \text{ mA}$, $T_j = 25 \text{ }^\circ\text{C}$)

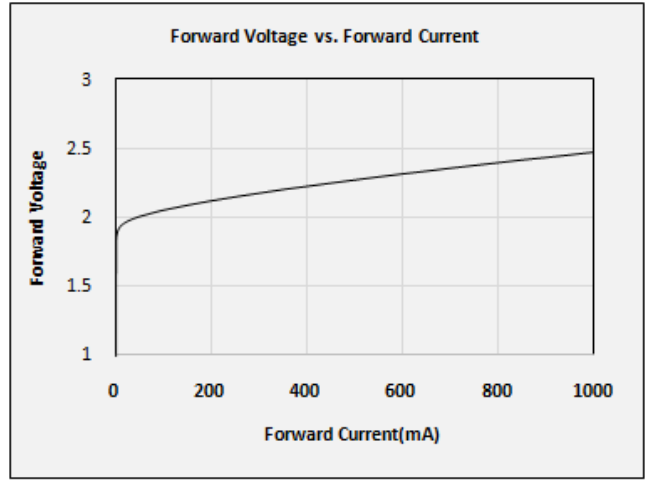
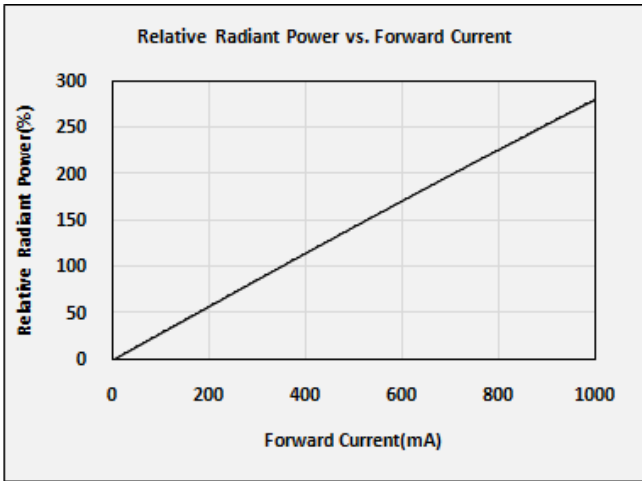
| Product Code | Power Rank | Power Bin | Power Range (mW) |
|--------------------|------------|-----------|------------------|
| SPHRD1L3DH00A4R2D2 | D2 | D2 | 390 ~ |

3. Typical Characteristics Graphs

a) Spectrum Distribution ($I_f = 350 \text{ mA}$, $T_j = 25 \text{ }^\circ\text{C}$)

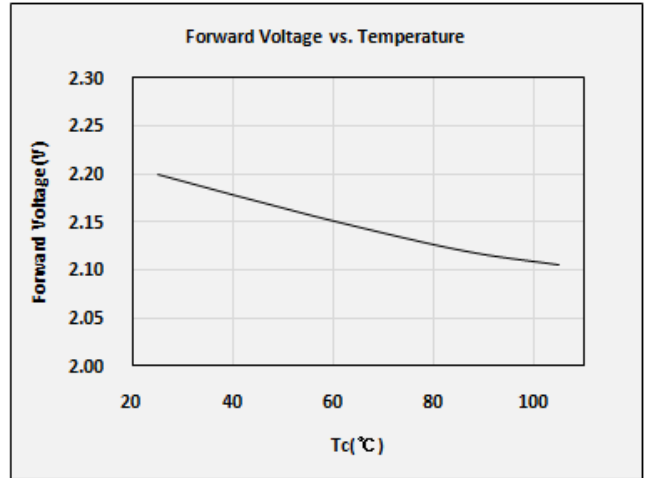
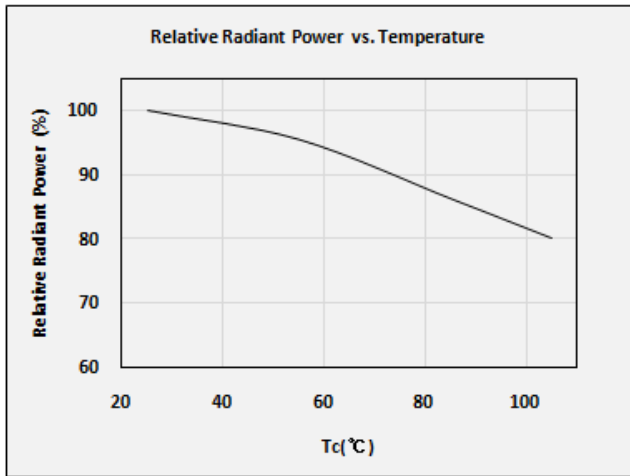


b) Forward Current Characteristics ($T_j = 25 \text{ }^\circ\text{C}$)

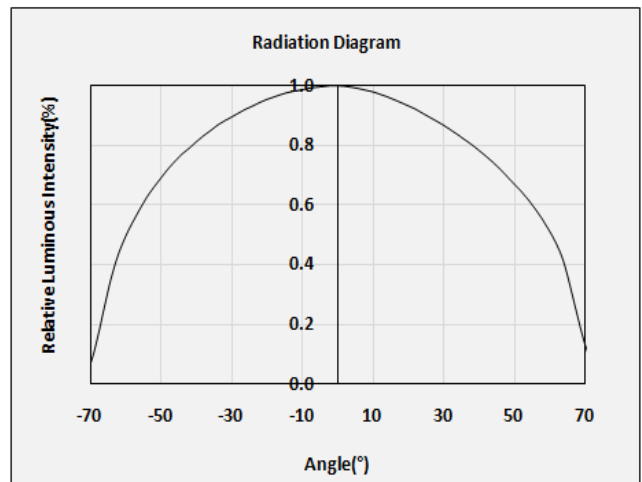
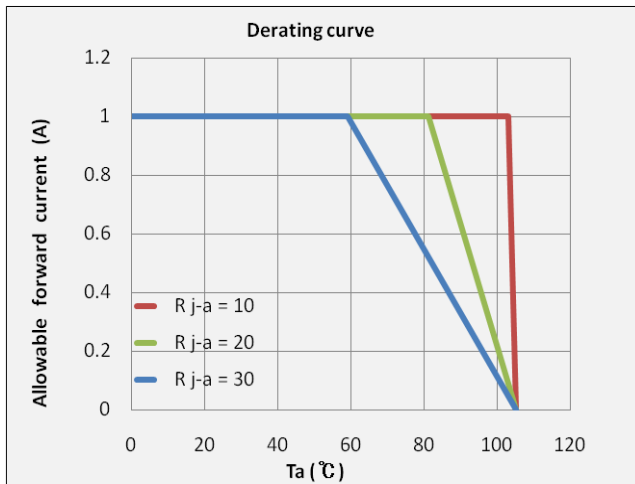


3. Typical Characteristics Graphs

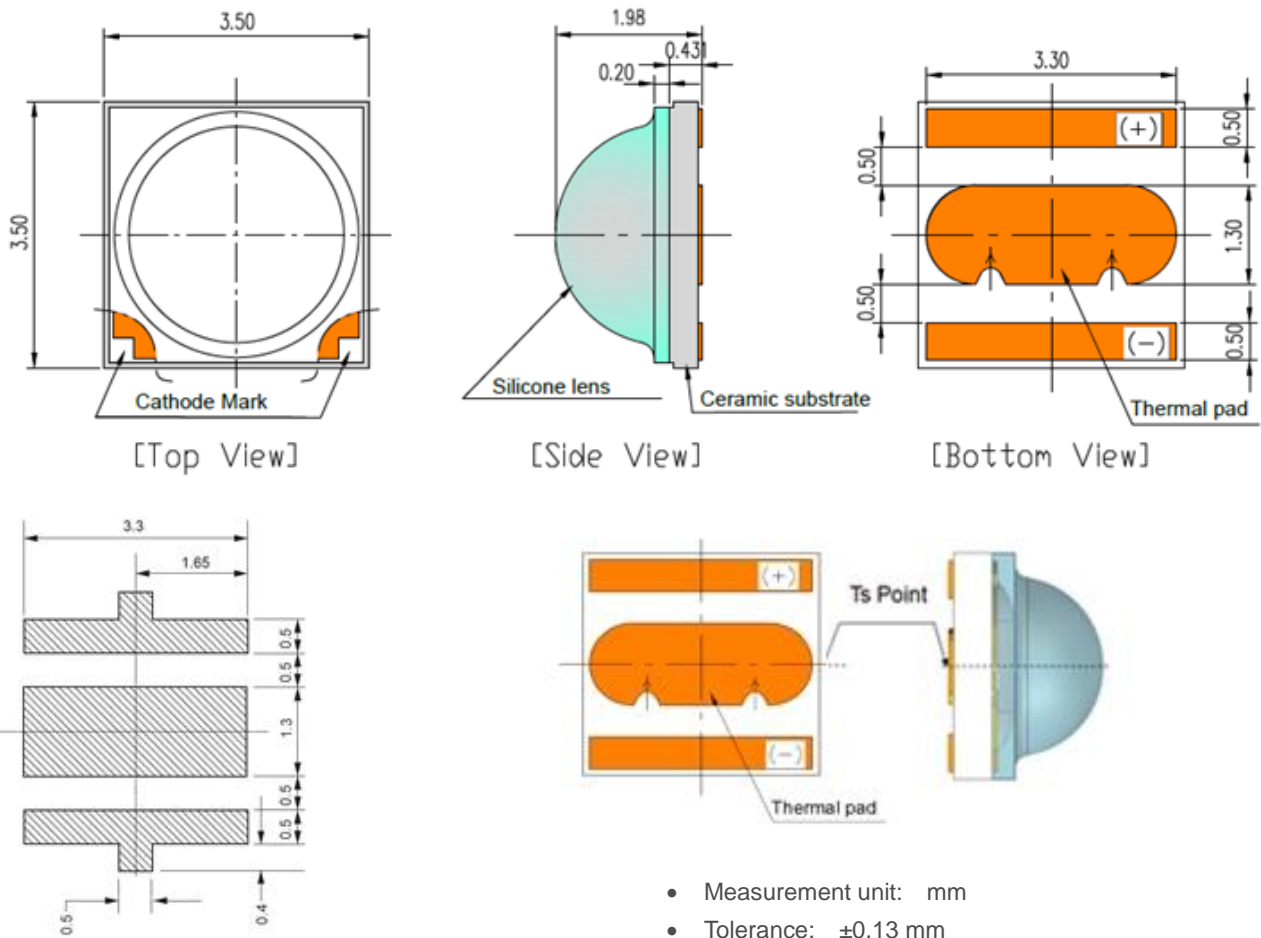
c) Temperature Characteristics ($I_F = 350 \text{ mA}$)



e) Derating Curve and Beam Angle Characteristics ($I_F = 350 \text{ mA}$)



4. Outline Drawing & Dimension



Recommended Soldering Pattern

Notes:

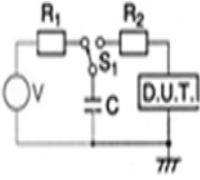
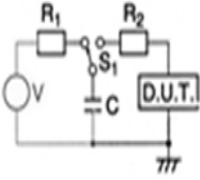
- 1) This LED has built-in ESD protection device(s) connected in parallel to LED chip(s).
- 2) The thermal pad is electrically isolated from the anode and cathode contact pads.
- 3) T_s point and measurement method:
 - ① Measure the nearest point to thermal pad as shown above. If necessary, remove PSR of PCB to reach T_s point.
 - ② All pads must be soldered to the PCB to dissipate heat properly, otherwise the LED can be damaged.

Precautions:

- 1) Pressure on the LEDs will influence to the reliability of the LEDs. Precautions should be taken to avoid strong pressure on the LEDs. Do not put stress on the LEDs during heating.
- 2) Re-soldering should not be done after the LEDs have been soldered. If re-soldering is unavoidable, LED's characteristics should be carefully checked before and after such repair.
- 3) Do not stack assembled PCBs together. Since materials of LEDs is soft, abrasion between two PCB assembled with LED might cause catastrophic failure of the LEDs.

5. Reliability Test Items & Conditions

a) Test Items

| Test Item | Test Condition | Test Hour / Cycle | Sample Size |
|-------------------------------------|------------------------------------------------------------------------------------|----------------------------------------------------------------------------|---------------|
| High Temperature Life Test | 85 °C, Maximum Rated Drive Current | 1000 h | 22 |
| High Temperature Humidity Life Test | 85 °C, 85 % R.H., Maximum Rated Drive Current | 1000 h | 22 |
| Low Temperature Life Test | -40 °C, Maximum Rated Drive Current | 1000 h | 22 |
| Temperature Cycling | -45 °C / 15 min ↔ 125 °C / 15 min temperature change within 5 min | 500 cycles | 100 |
| High Temperature Storage | 120 °C | 1000 h | 11 |
| High Temperature Humidity Storage | 85 °C, 85 % R.H. | 1000 h | 11 |
| ESD (HBM) |  | R ₁ : 10 MΩ R ₂ : 1.5 kΩ C: 100 pF V: ±8 kV | 5 times 30 |
| ESD (MM) |  | R ₁ : 10 MΩ R ₂ : 0 C: 200 pF V: ±0.5 kV | 5 times 30 |

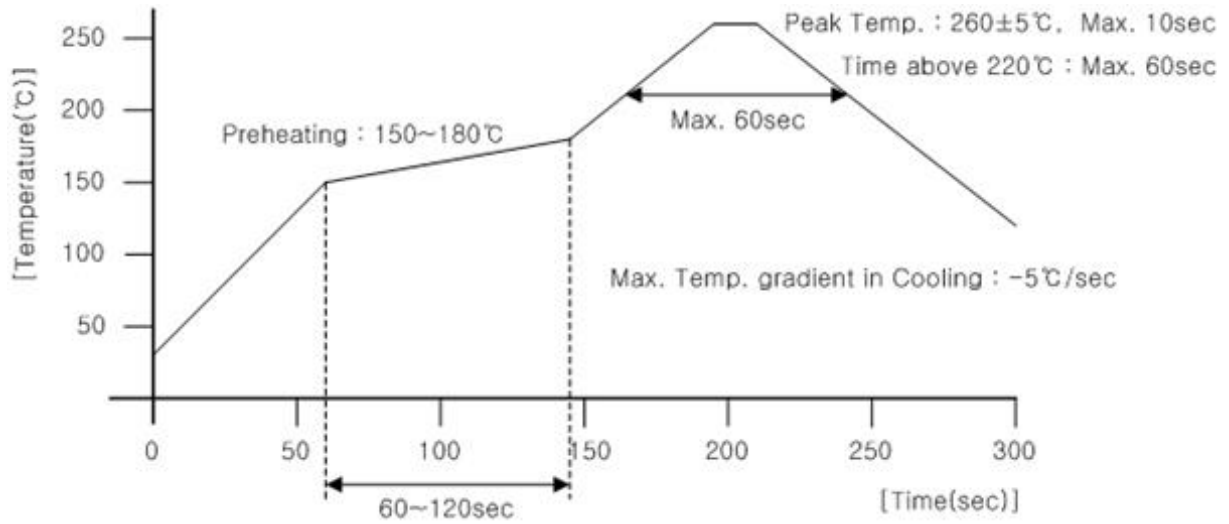
b) Criteria for Judging the Damage

| Item | Symbol | Test Condition (T _J = 25 °C) | Limit | |
|-----------------|----------------|--------------------------------------------|-------------------|-------------------|
| | | | Min. | Max. |
| Forward Voltage | V _F | I _F = 350 mA | Init. Value * 0.9 | Init. Value * 1.1 |
| Luminous Flux | Φ _v | I _F = 350 mA | Init. Value * 0.7 | Init. Value * 1.1 |

6. Soldering Conditions

a) Reflow Conditions (Pb free)

Reflow frequency: 2 times max.



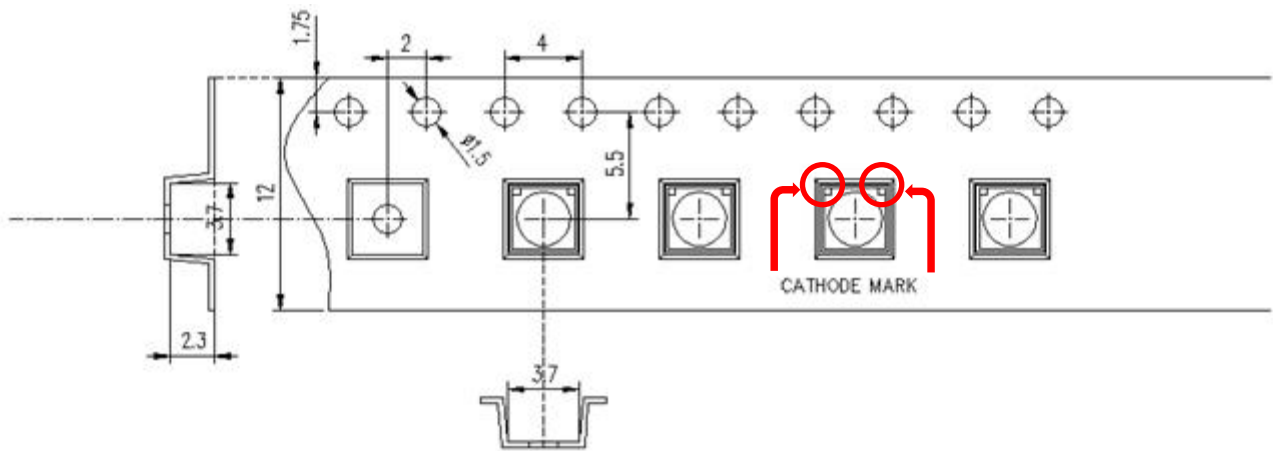
b) Manual Soldering Conditions

Not more than 5 seconds @ max. 300 °C, under soldering iron.

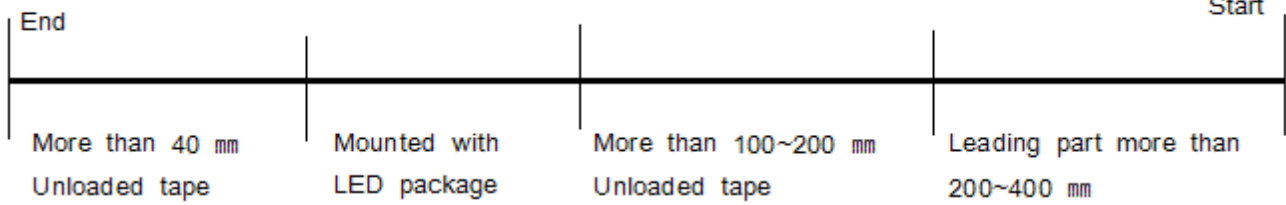
7. Tape & Reel

a) Taping Dimension

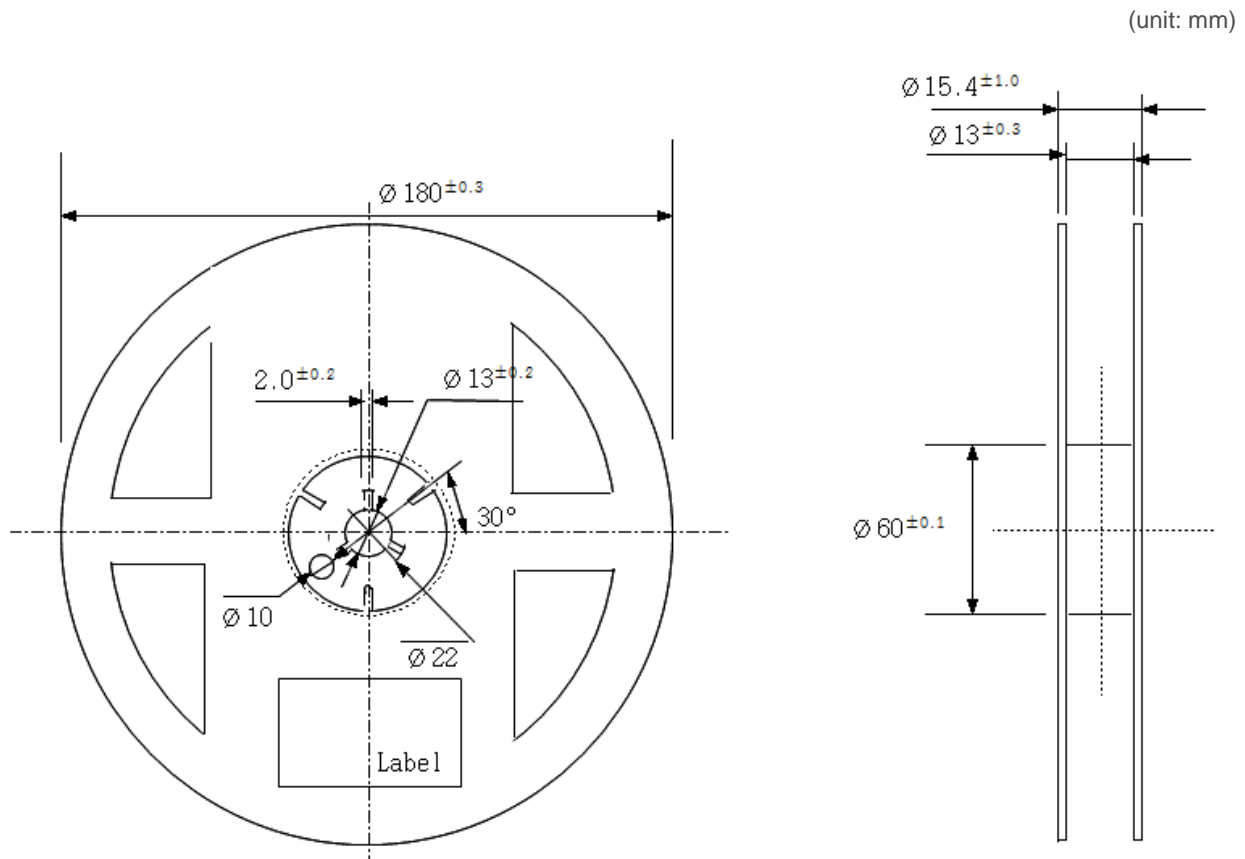
(unit: mm)



Taping Direction



b) Reel Dimension

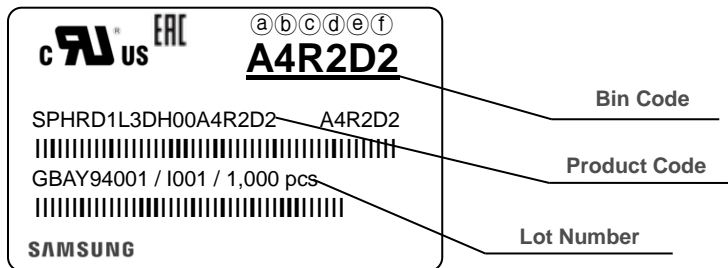


Notes:

- 1) Quantity: The quantity/reel is 1,000 pcs
- 2) Cumulative tolerance: Cumulative tolerance / 10 pitches is ± 0.2 mm
- 3) Adhesion strength of cover tape: Adhesion strength is 0.1-0.7 N when the cover tape is turned off from the carrier tape at 10° angle to the carrier tape
- 4) Packaging: P/N, Manufacturing data code no. and quantity are indicated on the aluminum packing bag

8. Label Structure

a) Label Structure



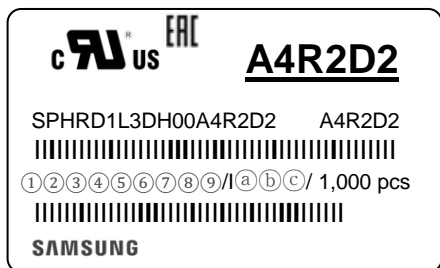
Note: Denoted bin code and product code above is only an example (see description on page 4)

Bin Code:

- ⒶⒷ: Forward Voltage bin (refer to page 5)
- ⒸⒹ: Wavelength bin (refer to page 5)
- ⒺⒻ: Radiant Power bin (refer to page 5)

b) Lot Number

The lot number is composed of the following characters:




①②③④⑤⑥⑦⑧⑨ / IⒶⒷⒸ / 1,000 pcs

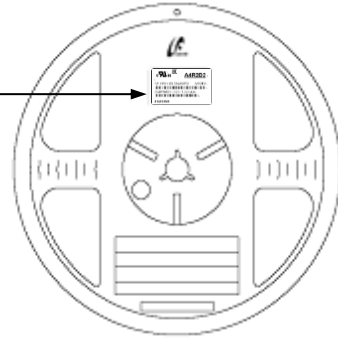
- ①, ② : Production site (GB : Nanchang, China)
- ③ : Product state (A: Normal, B: Bulk, C: First Production, R: Reproduction, S: Sample)
- ④ : Year (C: 2018, D: 2019, E: 2020, ...)
- ⑤ : Month (1~9, A, B, C)
- ⑥ : Day (1~9, A, B~V)
- ⑦⑧⑨ : Product serial number (001 ~ 999)
- ⒶⒷⒸ : Reel number (001 ~ 999)

9. Packing Structure


a) Packing Process

Reel


A4R2D2
 SPHRD1L3DH00A4R2D2 A4R2D2
 GBAY94001 / I001 / 1,000 pcs
SAMSUNG



Aluminum Vinyl Packing Bag



A4R2D2
 SPHRD1L3DH00A4R2D2 A4R2D2
 GBAY94001 / I001 / 1,000 pcs
SAMSUNG

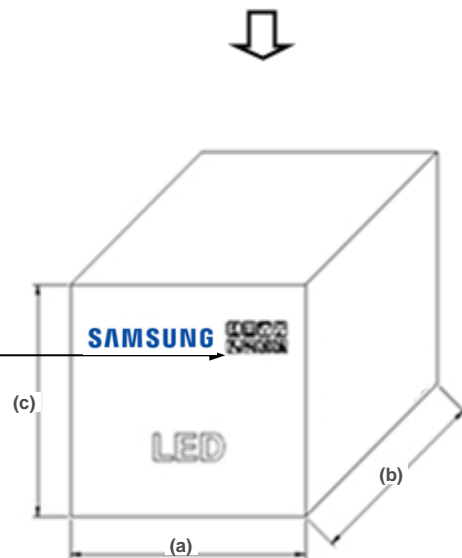


Outer Box

Material: Paper SW(B)

| Type | Size (mm) | | | Note |
|------------|-----------|---------|---------|---------------|
| | (a) | (b) | (c) | |
| 7 inch (L) | 245 ± 5 | 220 ± 5 | 182 ± 5 | Up to 8 reels |
| 7 inch (S) | 245 ± 5 | 220 ± 5 | 86 ± 5 | Up to 4 reels |


A4R2D2
 SPHRD1L3DH00A4R2D2 A4R2D2
 GBAY94001 / I001 / 8,000 pcs
SAMSUNG



b) Aluminum Vinyl Packing Bag



CAUTION

This bag contains
MOISTURE SENSITIVE DEVICES

LEVEL

2a

1. Shelf life in sealed bag: 12 months at <40°C and <90% relative humidity (RH)
2. Peak package body temperature: 240 °C
3. After this bag is opened, devices that will be subjected to reflow solder or other high temperature processes must be:
 - a. Mounted within 672 hours at factory conditions of equal to or less than 30°C /60% RH, or
 - b. Stored at <10% RH
4. Devices require bake, before mounting, if:
 - a. Humidity Indicator Card is >65% when read at 23±5°C, or
 - b. 2a is not met.
5. If baking is required, devices must be baked for 1 hours at 60±5°C

Note: If device containers cannot be subjected to high temperature or shorter bake times are desired, reference IPC/JEDEC J-STD-033 for bake procedure.

Bag seal due date: _____
(If blank, see code label)

Note: Level and body temperature by IPC/JEDEC J-STD-020




A4R2D2

SPHRD1L3DH00A4R2D2 A4R2D2

GBAY94001 / I001 / 1,000 pcs

SAMSUNG





ATTENTION

OBSEVE PRECAUTIONS
FOR HANDLING
ELECTROSTATIC
SENSITIVE
DEVICES



주의 사항

이 알루미늄 지퍼 백은 습기 및 정전기로부터 제품을 보호하기 위하여 제작되었습니다. 개봉 후에는 즉시 솔더 작업을 실시하는 것을 권장합니다.

습기 및 정전기로부터 제품을 보호 하기 위해서 개봉 후 사용하지 않는 자재는 본 팩에 넣어 보관 하시기 바랍니다. 사용하지 않는 자재를 본 팩에 넣을 때는 반드시 동봉된 드라이 팩과 함께 넣고 지퍼부분을 완전하게 밀봉하여 주시기 바랍니다.

Important

This Al Zipper bag is designed to protect the enclosed products from moisture and ESD. Once opened, the products should be soldered onto the printed circuit board immediately. When not in use, please do not leave the products unprotected by the Al Zipper Bag. To repack unused products., please ensure the zip-lock is completely sealed with the dry pack left inside.

c) Silica Gel & Humidity Indicator Card inside Aluminum Vinyl Bag

DESICCANT
SILICA
DO NOT
DE
SIL

HUMISAFE™

10% 20% 30% 40% 50% 60%



READ AT TOP OF GREEN COLOR
CHANGE BETWEEN YELLOW AND GREEN

**HUMIDITY INDICATOR
COBALT-FREE**

Warning if Green
Change Desiccant

GP&E Co., Ltd.
6CF-60NS

10. Precautions in Handling & Use

- 1) For over-current protection, users are recommended to apply resistors connected in series with the LEDs to mitigate sudden change of the forward current caused by shift of forward voltage.
- 2) This device should not be used in any type of fluid such as water, oil, organic solvent, etc. When cleaning is required, IPA is recommended as the cleaning agent. Some solvent-based cleaning agent may damage the silicone resins used in the device.
- 3) When the device is in operation, the forward current should be carefully determined considering the maximum ambient temperature and corresponding junction temperature.
- 4) LEDs must be stored in a clean environment. Shelf life of sealed bags is 12 months at temperature 0~40 °C, 0~90 % RH.
- 5) After storage bag is opened, device subjected to soldering, solder reflow, or other high temperature processes must be:
 - a. Mounted within 672 hours (28 days) at an assembly line with a condition of no more than 30 °C / 60 % RH, or
 - b. Stored at <10 % RH
- 6) Repack unused devices with anti-moisture packing, fold to close any opening and then store in a dry place.
- 7) Devices require baking before mounting, if humidity card reading is >60 % at 23 ± 5 °C.
- 8) Devices must be baked for 1 hour at 60 ± 5 °C, if baking is required.
- 9) The LEDs are sensitive to the static electricity and surge current. It is recommended to use a wrist band or anti-electrostatic glove when handling the LEDs. If voltage exceeding the absolute maximum rating is applied to LEDs, it may cause damage or even destruction to LED devices. Damaged LEDs may show some unusual characteristics such as increase in leakage current, lowered turn-on voltage, or abnormal lighting of LEDs at low current.
- 10) VOCs (Volatile Organic Compounds) can be generated from adhesives, flux, hardener or organic additives used in luminaires (fixtures). Transparent LED silicone encapsulant is permeable to those chemicals and they may lead to a discoloration of encapsulant when they exposed to heat or light. This phenomenon can cause a significant loss of light emitted (output) from the luminaires. In order to prevent these problems, we recommend users to know the physical properties of materials used in luminaires and they must be carefully selected.

Legal and additional information.

[About Samsung Electronics Co., Ltd.](#)

Samsung Electronics Co., Ltd. inspires the world and shapes the future with transformative ideas and technologies, redefining the worlds of TVs, smartphones, wearable devices, tablets, cameras, digital appliances, printers, medical equipment, network systems and semiconductors.

We are also leading in the Internet of Things space through, among others, our Digital Health and Smart Home initiatives. We employ 307,000 people across 84 countries. To discover more, please visit our official website at www.samsung.com and our official blog at global.samsungtomorrow.com.

Copyright © 2016 Samsung Electronics Co., Ltd. All rights reserved.
Samsung is a registered trademark of Samsung Electronics Co., Ltd.
Specifications and designs are subject to change without notice. Non-metric weights and measurements are approximate. All data were deemed correct at time of creation. Samsung is not liable for errors or omissions. All brand, product, service names and logos are trademarks and/or registered trademarks of their respective owners and are hereby recognized and acknowledged.

Samsung Electronics Co., Ltd.
1, Samsung ro
Giheung-gu
Yongin-si, Gyeonggi-do, 17113
KOREA

www.samsungled.com