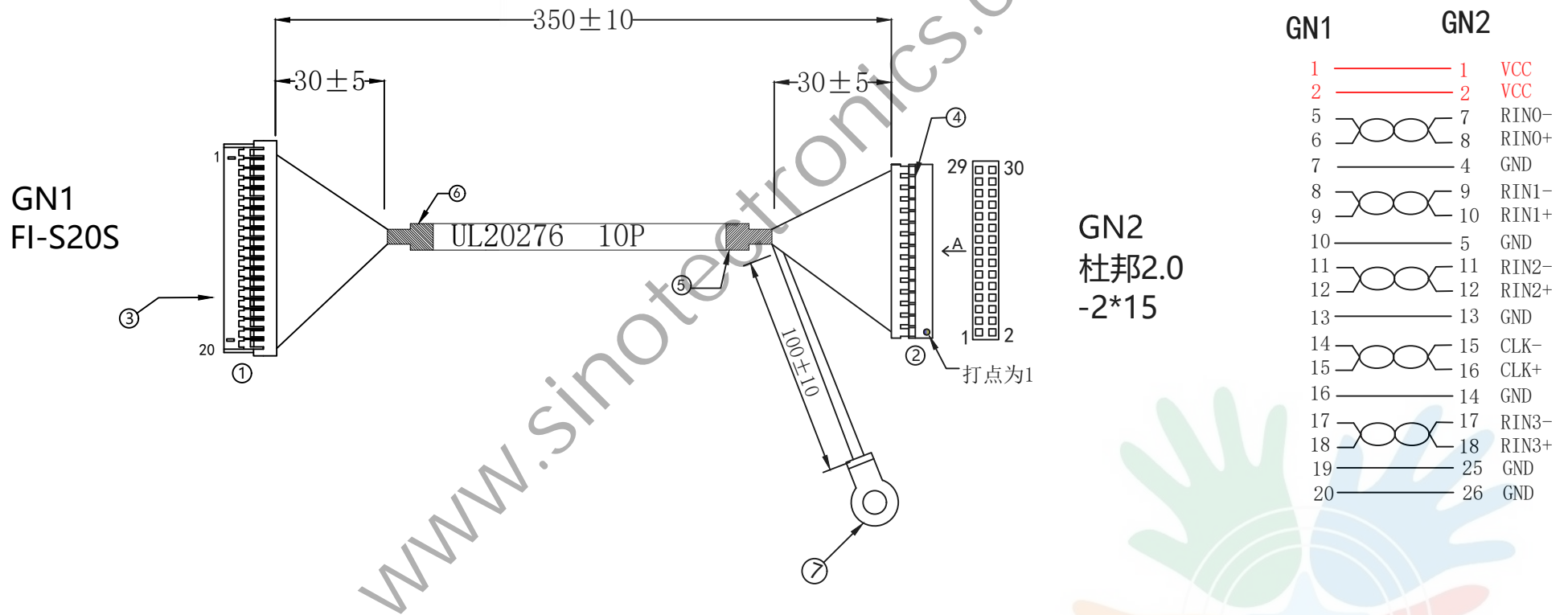


P/N:LVDS-FI-S20S-DP2.0-2x15P-350-P121-SNT



GN1	GN2
1	1 VCC
2	2 VCC
5	7 RIN0-
6	8 RIN0+
7	4 GND
8	9 RIN1-
9	10 RIN1+
10	5 GND
11	11 RIN2-
12	12 RIN2+
13	13 GND
14	15 CLK-
15	16 CLK+
16	14 GND
17	17 RIN3-
18	18 RIN3+
19	25 GND
20	26 GND