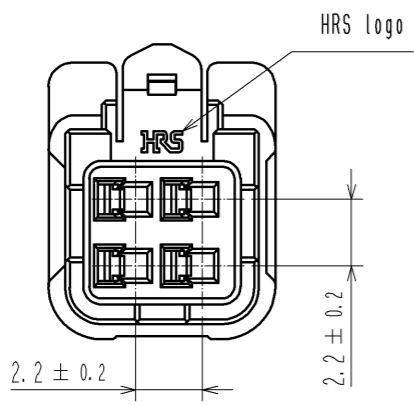
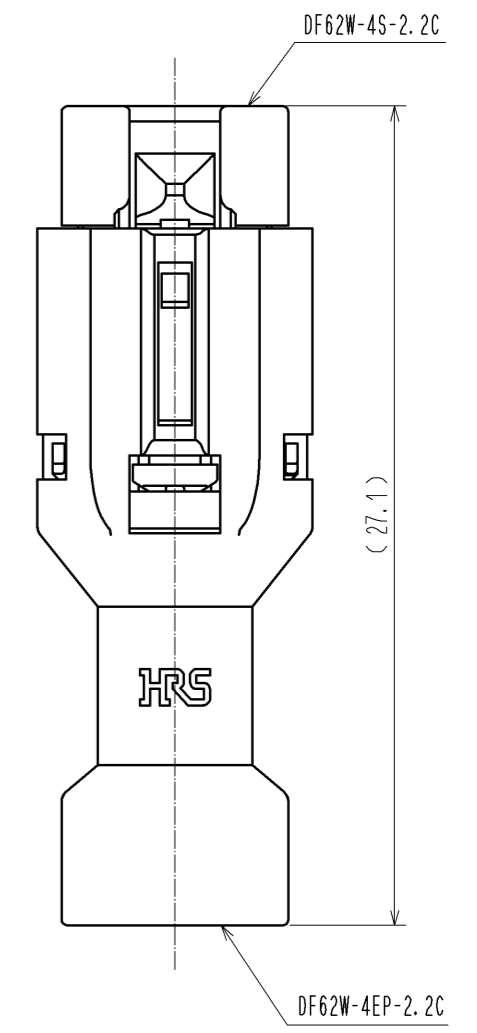
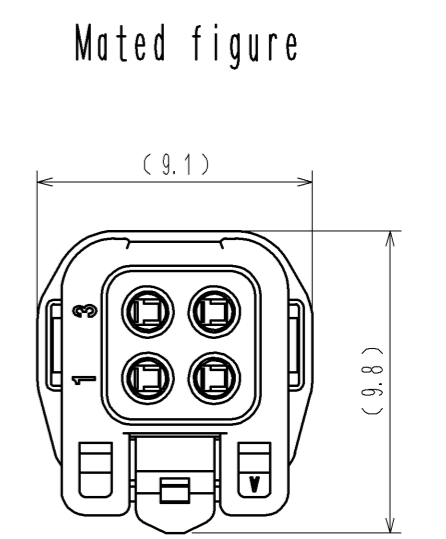
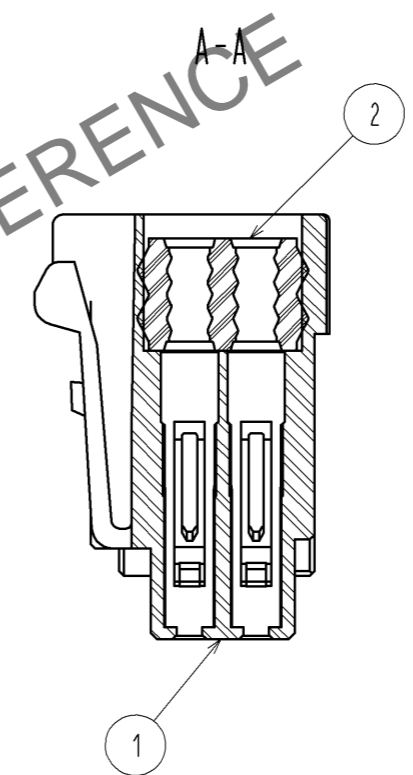
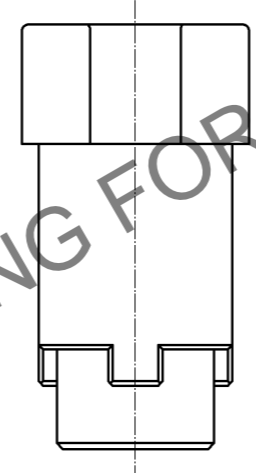
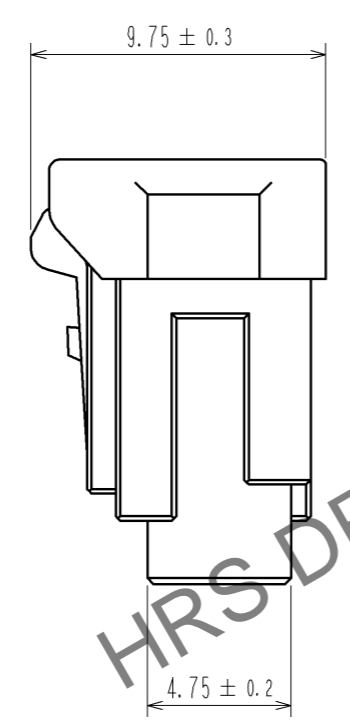
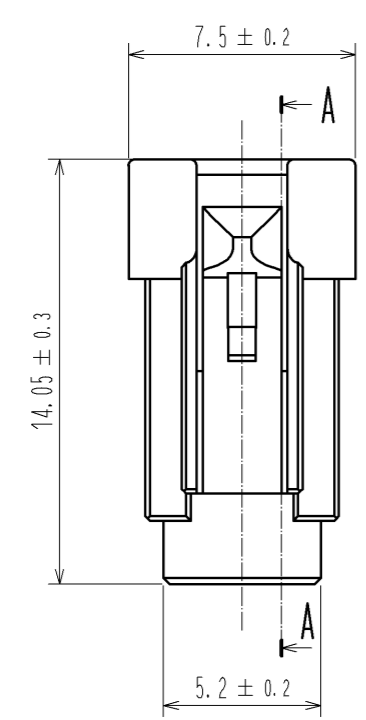
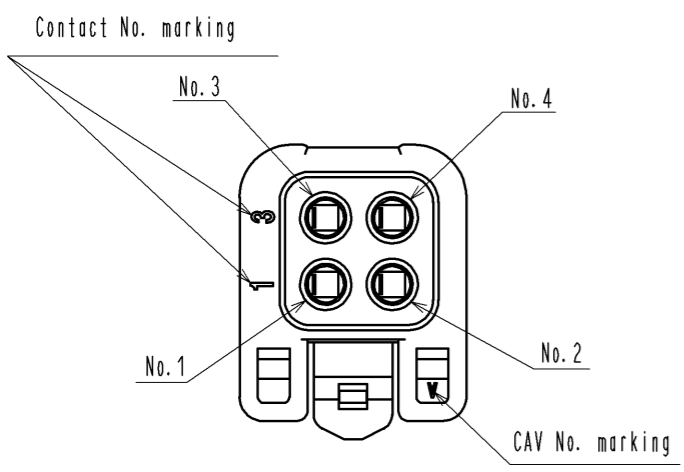


Apr.1.2024 Copyright 2024 HIROSE ELECTRIC CO., LTD. All Rights Reserved.  
 In case of consideration for using Automotive equipment / device which demand high reliability, kindly contact our sales window correspondents.



Notes.  
 1. 100 pcs. / bag  
 2. The dimensions in parenthesis are reference dimensions.  
 3. Always refer to the manuals below for operation of this product.  
 For cable assembly / Cable assembly procedure ETAD-H0760  
 For mating/unmating / Operation manual ETAD-H0761

1	PBT	UL94V-0 (White)	2	Silicone rubber	Bengala
NO.	MATERIAL	FINISH . REMARKS	NO.	MATERIAL	FINISH . REMARKS
UNITS		SCALE	COUNT	DESCRIPTION OF REVISIONS	
mm		4 : 1		DESIGNED	CHECKED
<b>HRS</b> HIROSE ELECTRIC CO., LTD.		APPROVED : KI. AKIYAMA	14. 05. 15	DRAWING NO. EDC3-353725-00	
		CHECED : HK. UMEHARA	14. 05. 15	PART NO. DF62W-4S-2. 2C	
		DESIGNED : KT. ISHII	14. 05. 14	CODE NO. CL544-1006-8-00	
		DRAWN : KT. ISHII	14. 05. 14		