

Series 300

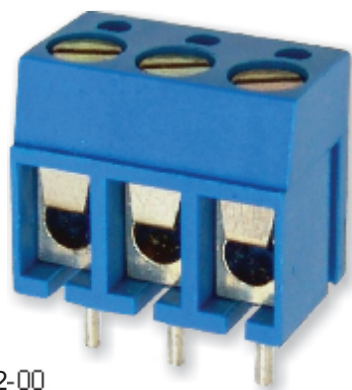
SPECIFICATIONS

技術資料

Terminal Blocks for PC-Boards Machined Type Insert (300系列)

印刷線路板用接線端子座 - 車床銅柱

Front Wire Inlet Type - Top Screw, Spacing 5.0mm or 10.0mm,
Height Over PC-Board 12.5mm
前方入線型 - 頂部操作 · 間距5.0mm或10.0mm · 殼體高度12.5mm



300-031-12-00



MATERIAL 材料

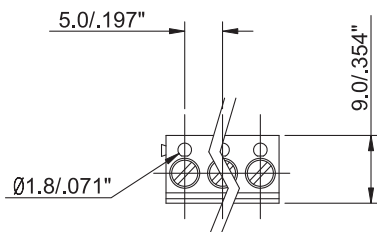
- **Contact 觸點(metal housing 金屬殼體):**
Brass, Tin plated / 黃銅 · 銅錫電鍍
- **Terminal Screw 螺絲:**
Steel galvanized and chromated / 鋼 · 五彩電鍍
- **Wire Guard 保護片:**
Brass, Tin plated / 黃銅 · 鍍錫
- **Surface of Solder Tail 針腳電鍍:**
Tin plated / 鍍錫
- **Insulator Body 絕緣體(housing 殼體)**
Poly Butylene Terephthlene, PBT (30% Glass filled) (UL 94 V-0)

ELECTRICAL 電機方面

- **Current Rating 工作電流:** 16 Amp
- **Dielectric Strength 電介質:** 2500V
- **Rated Voltage 額定電壓:** 250V
- **Rated Cross Range**
 - with wire guard 連保護片的額定線徑: 2.5mm²
 - without wire guard 無保護片的額定線徑: 4.0mm²
- **Resistance to Tracking 絕緣阻值:** 5MΩ
- **Insulation Withstands Voltage 耐電壓:** AC1500V/Min
- **Rated Cross Section 額定線徑:** 2.5mm²
- **AWG 適用線號:** 22 - 14
- **Stripping Length 剝線長度:** 4.5 - 5.0mm

MECHANICAL 機械方面

- **Operating Temperature 工作溫度:** -30°C to +120°C
- **Short Time Peak Temperature 短暫能容溫度:** +200°C max



PITCH	Dimension A	Dimension B
5mm	n x 5	(n - 1) x 5
10mm	n x 10	(n - 1) x 10

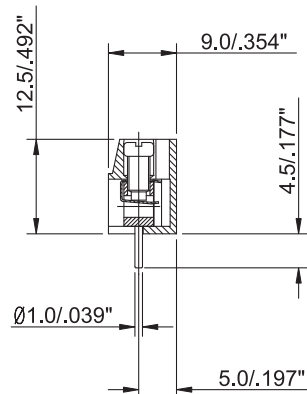
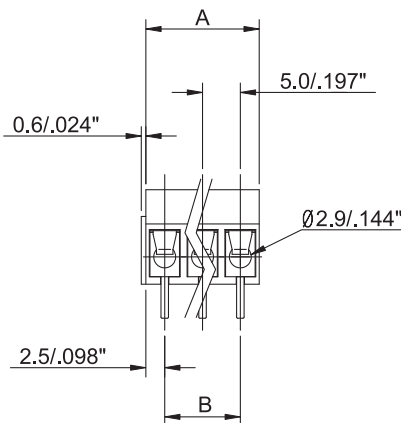
**** Notice:**

To avoid accumulating tolerance-variations of Terminal Blocks, limit the number of contacts to no more than 24 contacts per row

Recommended PC-Board-Holes
diameter : Ø1.2mm to Ø1.4mm
n = number of contacts

** 為防止累積公差過大 · 接線端子座建議每排不超過24位

建議底孔直徑: Ø1.2mm 至 Ø1.4mm
n = 觸點的數量



HOW TO ORDER 排序整理

3 0 0 - X X X - X X - 0 0

Series No. 系列編號	No. of Pole 針腳數目	Pitch 間距	Wire Guard 保護片	Color 顏色
1	5	5.0mm	1 with 有	1 Grey 灰
2	10	10.0mm	2 without 沒有	2 Blue 藍
3				3 Black 黑
4				4 Green 綠