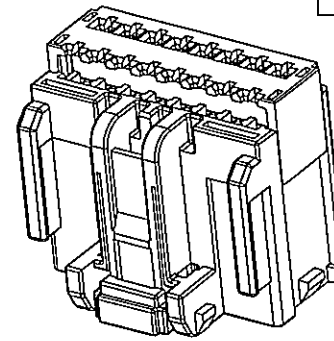
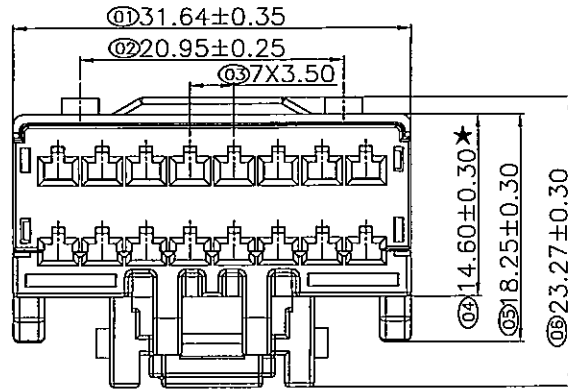
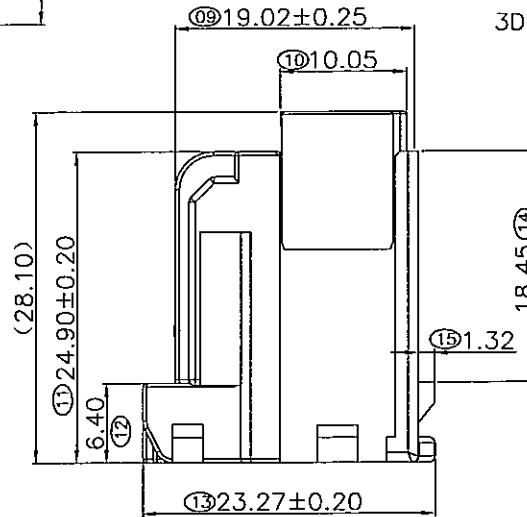
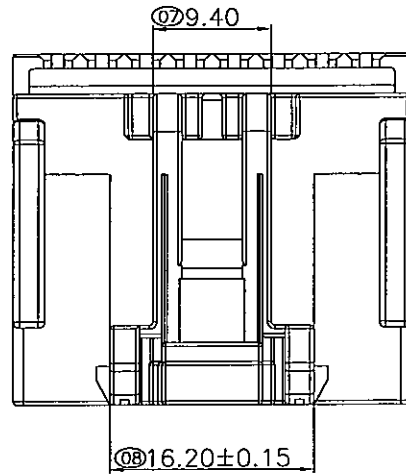


| REV. | LOCAS. | DESCRIPTION | DATE | DRAWN |
|------|--------|--------------------------|------------|-------|
| A | NEW | INTERIM INITIAL RELEASE. | 2024.07.08 | 黄文斌 |



3D VIEW



Specifications:
 Insulation Resistance:100MΩ Min.
 Dielectric Withstanding Voltage:1000V AC
 Operating Temperature:-40°C to +105°C

Materials:
 Housing Material: PBT+GF, UL94-HB, Color: Black
 SPACER Material: PBT+GF, UL94-HB, Color: White
 ☆All materials must meet GREENCONN hazardous substances control standards.

"★": Critical Characteristics.
 indicates product characteristics, functionalities, and manufacturing processes regarding to customer's specifications.
 "☆": Safety Features
 indicates product characteristics, functionalities, and manufacturing processes complying to legal regulations stated by local government.

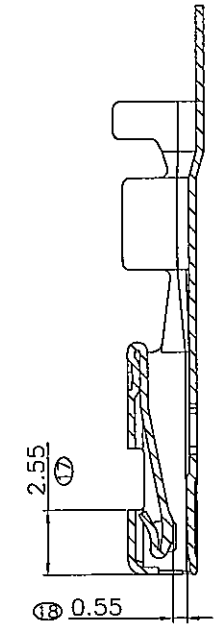
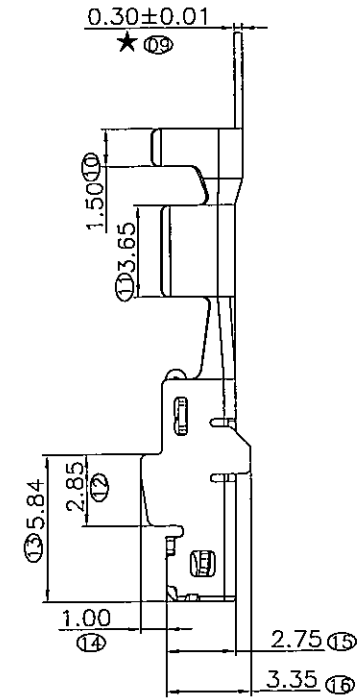
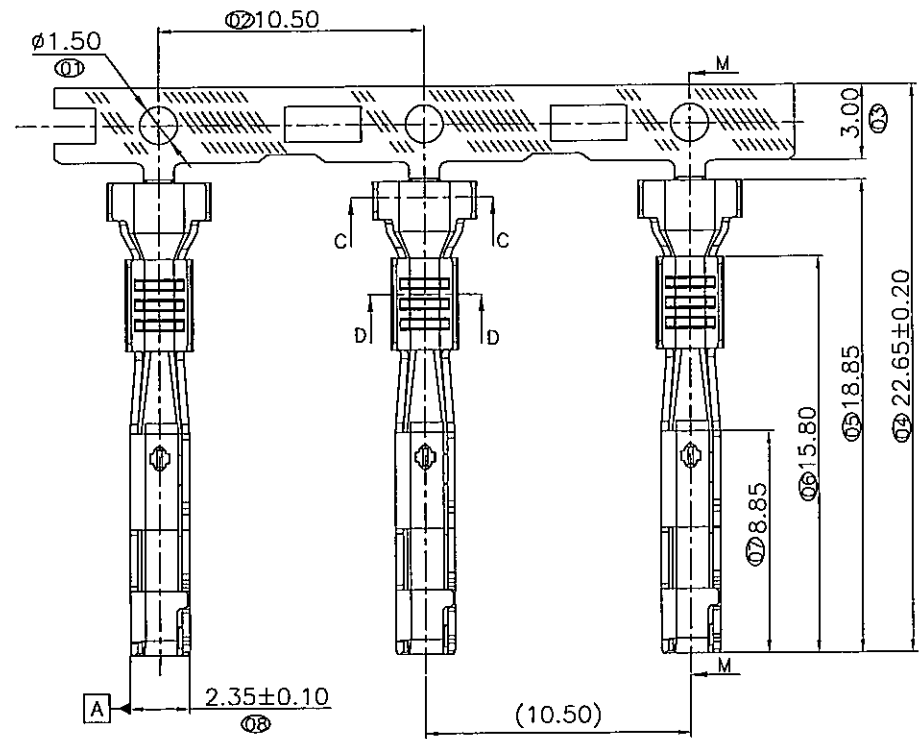
Ordering Information

MCZ3A201 - XX XX A 001 K X X X

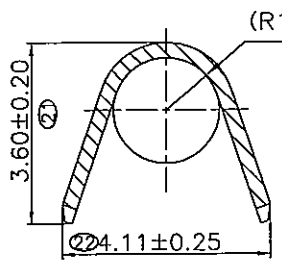
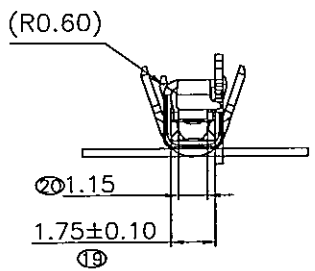
No. of Pins per Row 08
 Standard Plating P4=Nickel underplated over all 50~100u". tin plated 40~100u"
 Insulator Material K=PBT
 Color J=Blend
 Contact Material 9=High conductivity copper
 Standard Packing B=Tray

| | | | | | | | | |
|---|-------------------|-------------------|-----------|---------------|------------------|----------------|-----------------|-----------------------|
| Website: www.greenconn.com E-mail: sales@greenconn.com | 3RD.ANG PROJ. | GENERAL TOLERANCE | | DESIGNED: 黄文斌 | DATE: 2024.07.08 | DWG. NO. | TITLE. | |
| | | X.±5.0' | X.±0.30 | CHECKED: 黄文斌 | DATE: 2024.7.10 | MCZ3A201-CA001 | | 3.50 PITCH CONNECTOR |
| REV. A | UNIT. mm | SCALE. 2:1 | PAGE. 1/2 | .XX'±3.0' | .X±0.25 | APPROVED: 黄文斌 | DATE: 2024.7.10 | |
| | | | | .XX'±2.0' | .XX±0.20 | | | MCZ3A201-XXXXA001KJ9X |
| | | | | .XXX'±1.0' | .XXX±0.15 | | | |

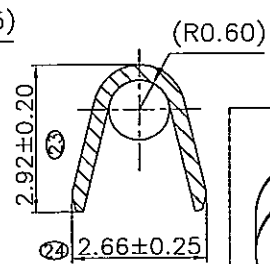
| REV. | LOCAS. | DESCRIPTION | DATE | DRAWN |
|------|--------|--------------------------|------------|-------|
| A | NEW | INTERIM INITIAL RELEASE. | 2024.07.08 | 黄文斌 |



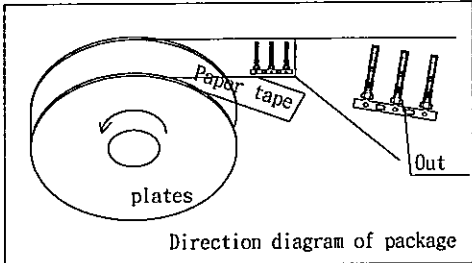
SECTION M-M



SECTION C-C
SCALE 2:1



SECTION D-D
SCALE 2:1



Direction diagram of package

Material :

- Contact Material: Copper alloy, T=0.20±0.01mm.
- Standard Plating: Nickel 50-100u" Tin 40-100u".
- Operating Temperature: -40°C to +130°C
- All materials must comply with GREENCONN hazardous substance control standard.

"★": Critical Characteristics, indicates product characteristics, functionalities, and manufacturing processes regarding to customer's specifications.

"☆": Safety Features indicates product characteristics, functionalities, and manufacturing processes complying to legal regulations stated by local government.

Greenconn
 Website: www.greenconn.com
 E-mail: sales@greenconn.com

3RD.ANG PROJ.
 PAGE. 1/1

| GENERAL TOLERANCE | |
|-------------------|-----------|
| X.'±5.0' | X.±0.25 |
| .X'±3.0' | .X±0.20 |
| .XX'±2.0' | .XX±0.15 |
| .XXX'±1.0' | .XXX±0.10 |

DESIGNED: 黄文斌
 CHECKED: 黄超
 APPROVED: 宋永峰

DATE: 2024.07.08
 DATE: 2024.7.9
 DATE: 2024.7.9

DWG. NO. AR3102-01-R
 PART NO. AR3102-01P4PG-R

TITLE. 3.50 PITCH CONTACT