

# DATASHEET

## IP Module Lens

S01.01.01.220\_IP-173X71-12-30

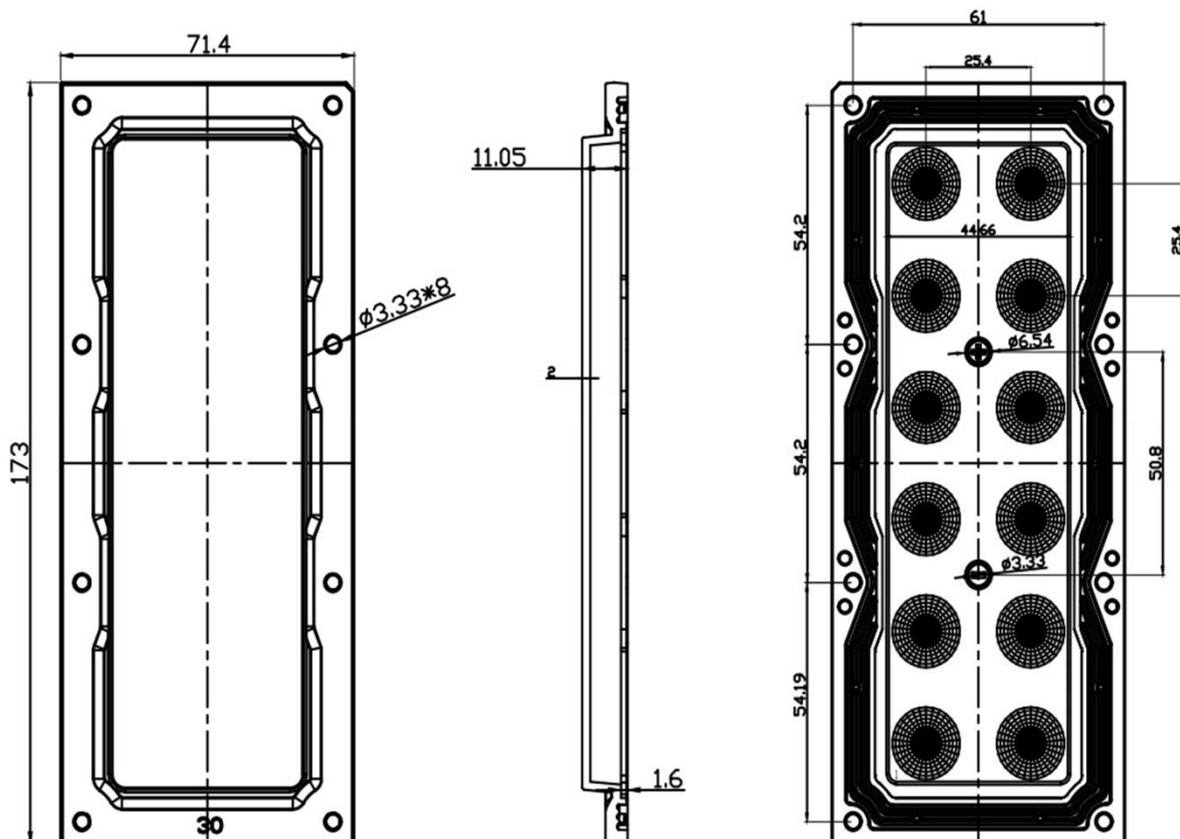
### 1.General Information

- ✓ Material: PC 1250Z100
- ✓ Size: 173X71 (mm)
- ✓ FWHM: 30
- ✓ Design LED: LUMILEDS 5050
- ✓ Compatible LED size: 5050
- ✓ Efficiency: 95%
- ✓ Fasten: Screw
- ✓ IP class: IP66
- ✓ Accessories: Silicon Gasket
- ✓ RoHS: YES
- ✓ Surface: Clear



### 2.MECHANICAL SPECIFICATION

UNIT:MM



## 3.OPTICAL DATA

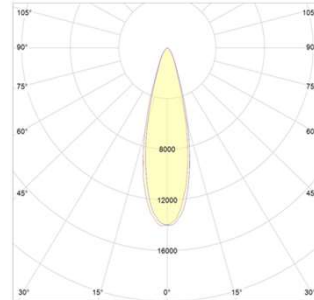
### 1) Simulation Data

LED model: LUMILEDS 5050

Light colour: White

FWTM: H55°,V55.1°

FWHM: H28.5°,V28.7°



### 2) Test Data

LED model: Not simulate

Light colour: Not simulate

FWTM: Not simulate

FWHM: Not simulate

## 4.Usage and Maintenance

- 1) If necessary, clean lenses with mild soap, water and soft cloth.
- 2) Never use any commercial cleaning solvents on lenses, like alcohol.
- 3) Please handle lens with wearing gloves, skin oils may damage lens or its optical characteristic.

## 5.Note

Please test the data again before using. The chart data is for reference only.