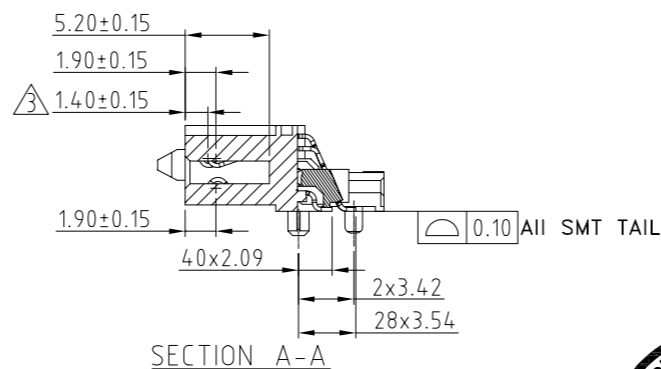
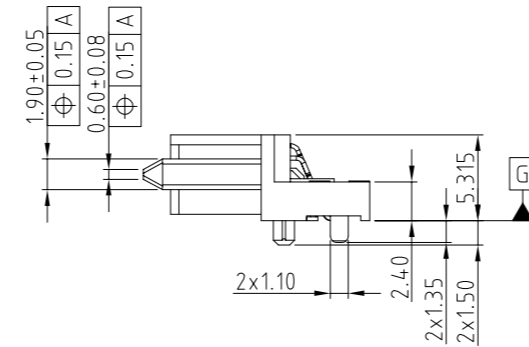
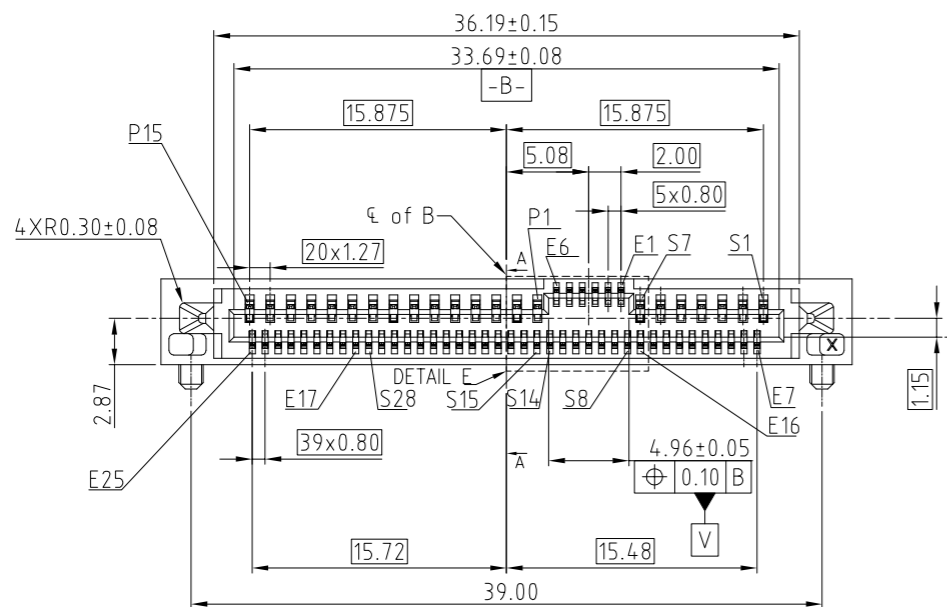
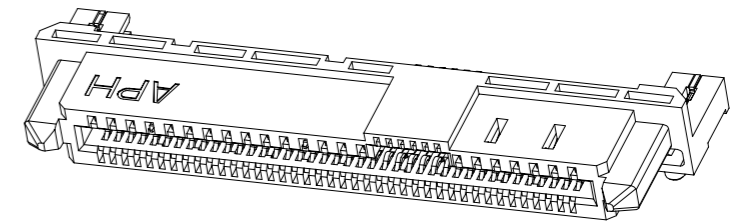
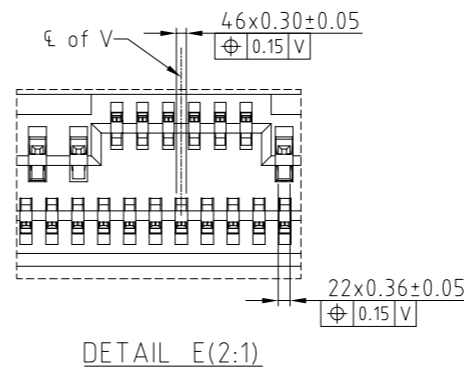
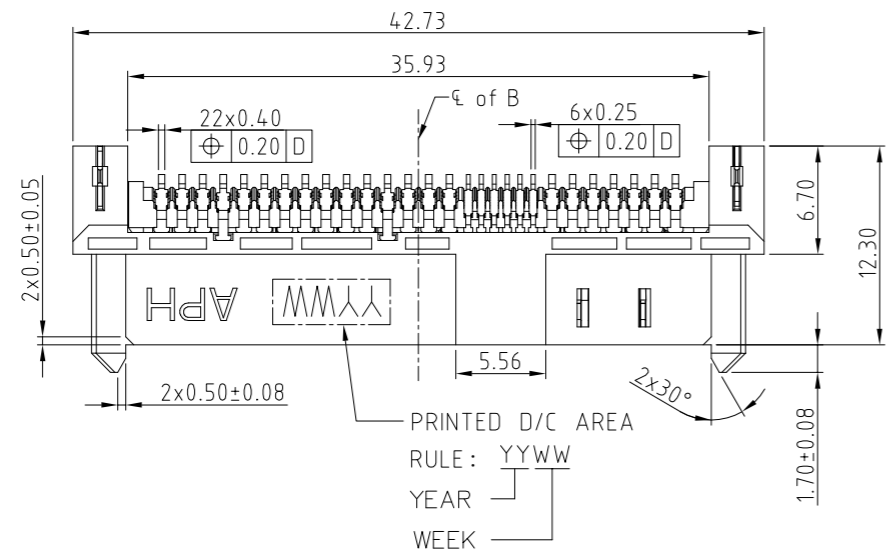


This document is the property of Amphenol Corporation and is delivered on the express condition that it is not to be disclosed, reproduced or used, in whole or in part, for manufacture or sale by anyone other than Amphenol Corporation without its prior consent, & that no right is granted to disclose or to use any information in this document.

REVISIONS

SYM	ECN	DESCRIPTION	DATE	APPROVED
1	HK7902	FIRST RELEASE	08/28/18	IP
2	HK--	ADDED DIMENSIONS BY CUSTOMER'S REQUEST	01/28/19	IP
3	HK--	ADDED PACKING SPEC, UPDATED DIMENSIONING	08/22/19	IP
4	HK10863	UPDATED DIMENSION	10/18'22	XIANG
5	ELX-CD-55783-1	MARKED THE PIN	May.19,2025	YH



NOTES

- MATERIAL
 - HOUSING: HIGH TEMPERATURE THERMOPLASTIC, UL94V-0, COLOR:BLACK.
 - CONTACTS : PHOSPHOR BRONZE
PLATING: REFER TO P/N SYSTEM ON MATING AREA.
1.27um MIN NICKEL UNDER PLATED OVERALL.
2.54um MIN PURE MATTE TIN ON SOLDER TAILS.
 - SOLDER CLIPS: COPPER ALLOY
2.54um MIN PURE MATTE TIN OVER 1.27um MIN NICKEL.
- GENERAL SPECIFICATION
 - CURRENT RATING: 1.5A/PER PIN (POWER SECTION).
 - CONTACT RESISTANCE: 30mΩ MAX (INITIAL).
 - INSULATOR RESISTANCE: 1000MΩ MIN.
 - DIELECTRIC WITHSTANDING VOLTAGE: 500 VAC
 - OPERATION TEMPERATURE: -55°C~+105°C
- PREMATING AT P4 & P12
- SUPPORT PCIe GEN4 AND SAS3.0
- DIMENSIONING SHALL BE INTERPRETED PER ASME Y14.5M 1994.
- MATERIAL SHOULD BE FULFILLED AMPHENOL SPEC.# S-SN-002, FOR HALOGEN FREE PRODUCTS, ALSO NEED TO MEET S-SN-004.
- ORDER P/N SYSTEM: PSAS4F213001XXX

MATING AREA PLATING PACKING STYLE
 1- 0.76um MIN Au. NIL- TRAY WITHOUT PICK-UP CAP
 2- 0.38um MIN Au. C- TRAY WITH PICK-UP CAP
 3- Gold FLASH TR- TAPE AND REEL WITH PICK-UP CAP
 NT- TAPE AND REEL WITHOUT PICK-UP CAP

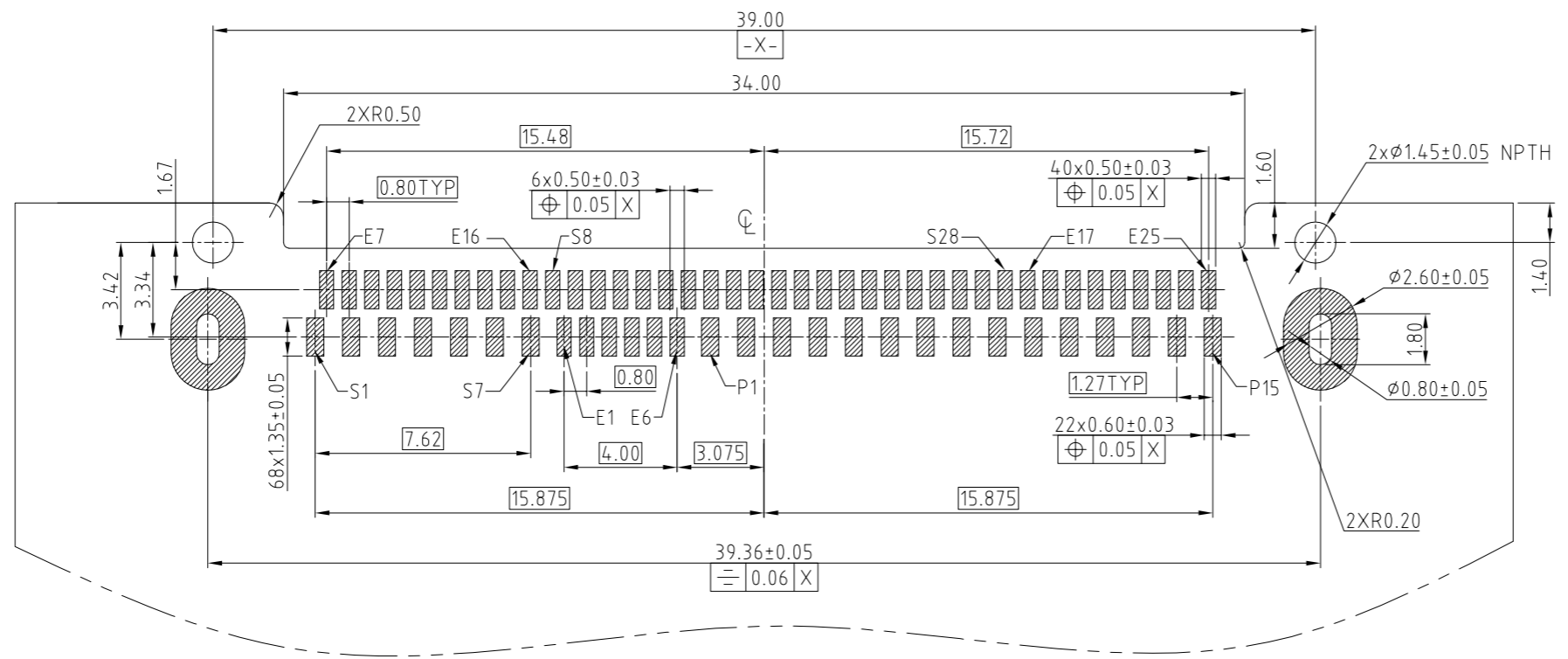
HF(无卤)	√
Non-HF(有卤)	



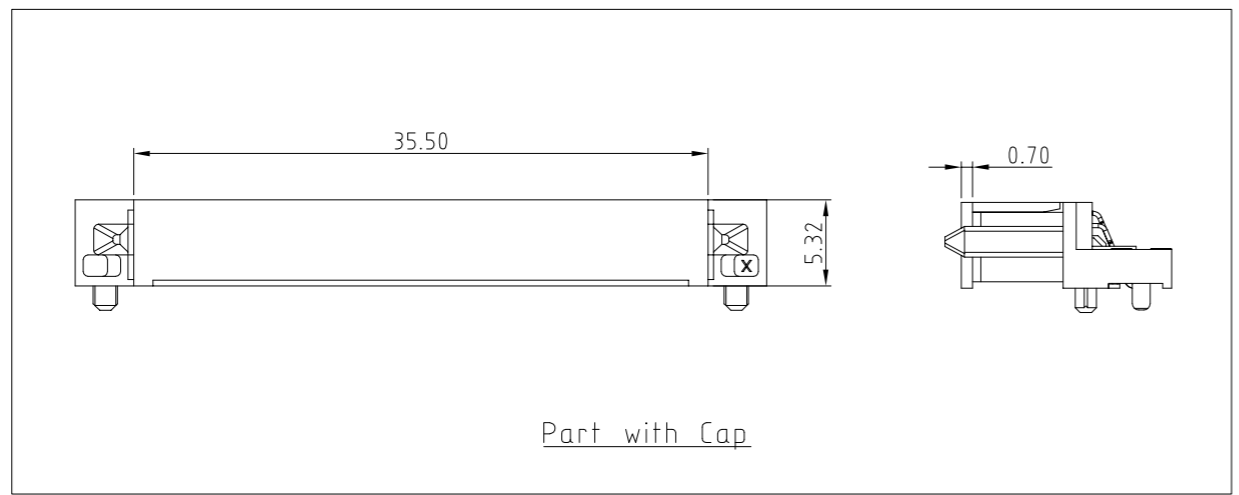
UNLESS OTHERWISE SPECIFIED TOLERANCES		APPROVAL	DATE	Amphenol
U.S. METRIC		DRAWN Alice.feng	May.19,2025	
.X +/-	0.50	CHECKED		TITLE
.XX +/-	0.25	CHECKED		PCIe/SAS R/A SMT RECEPTACLE
.XXX +/-	0.20			
FRACTIONS +/-	3°	DRAWING FILE :		SIZE
ANGLES +/-		\\DRAWING\PSAS\PSAS4F213001XXX-5		DRAWING NO.
REMOVE SHARP EDGES	ANGLE OF PROJECTION			PSAS4F213001XXX
DIMENSIONS				SCALE
U.S. INCHES				NONE
(METRIC) (MM)				SHEET 1 OF 3

This document is the property of Amphenol Corporation and is delivered on the express condition that it is not to be disclosed, reproduced or used, in whole or in part, for manufacture or sale by anyone other than Amphenol Corporation without its prior consent, & that no right is granted to disclose or to use any information in this document.

REVISIONS				
SYM	ECN	DESCRIPTION	DATE	APPROVED
		REFER TO SHEET 1		



RECOMMENDED PCB LAYOUT
GENERAL TOLERANCE ±0.05

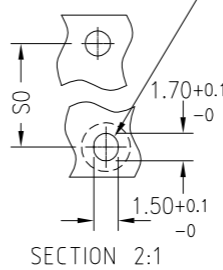
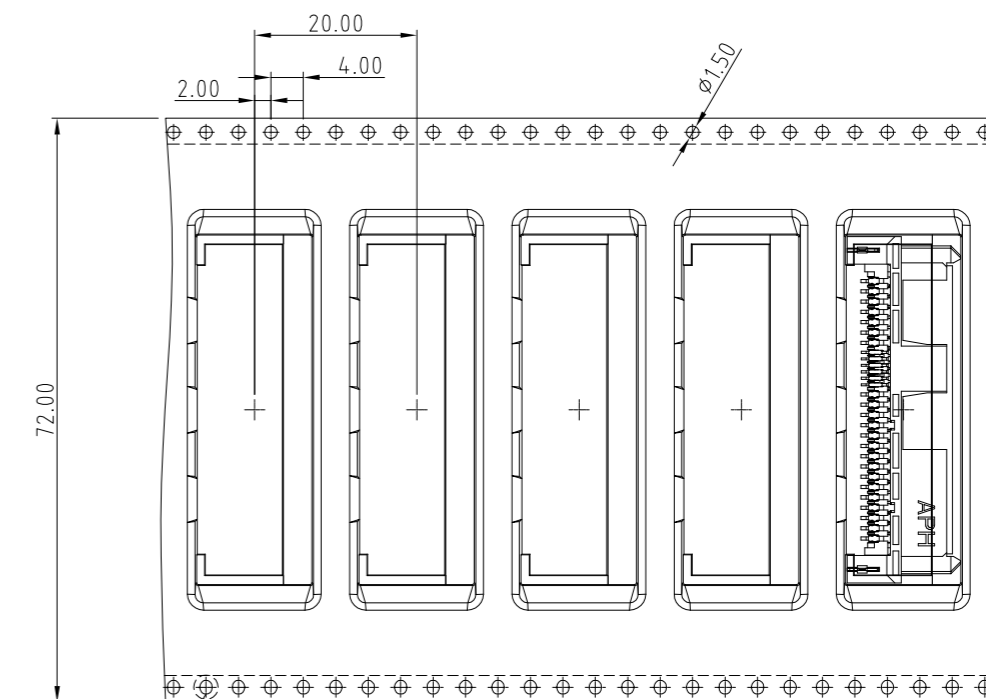
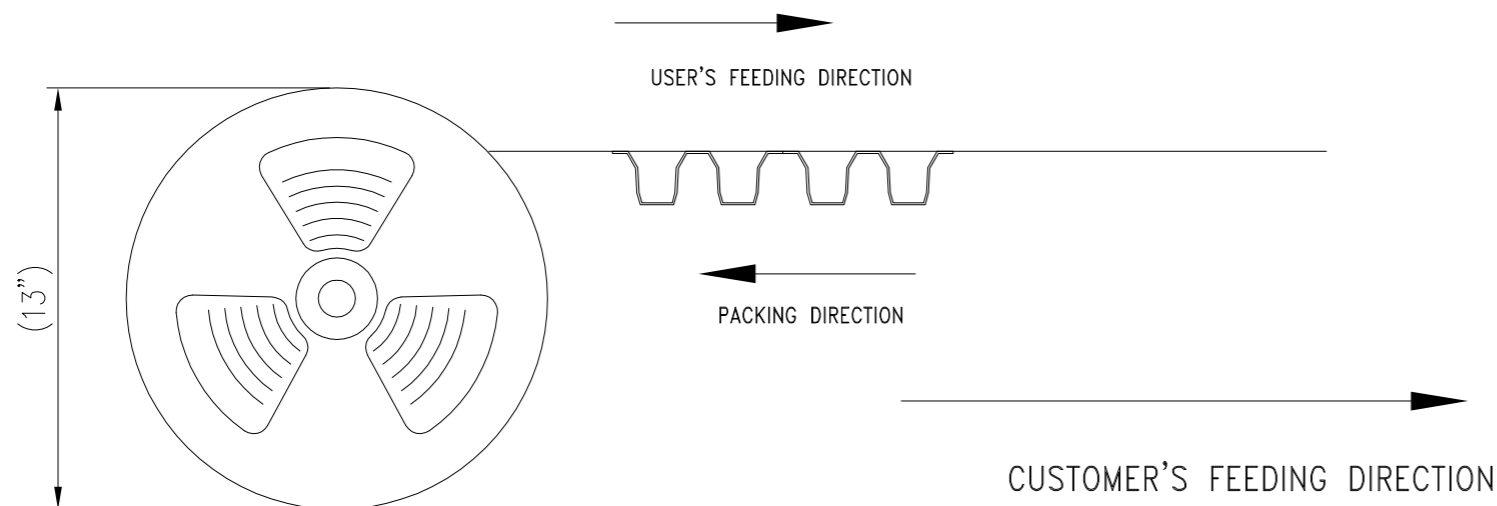
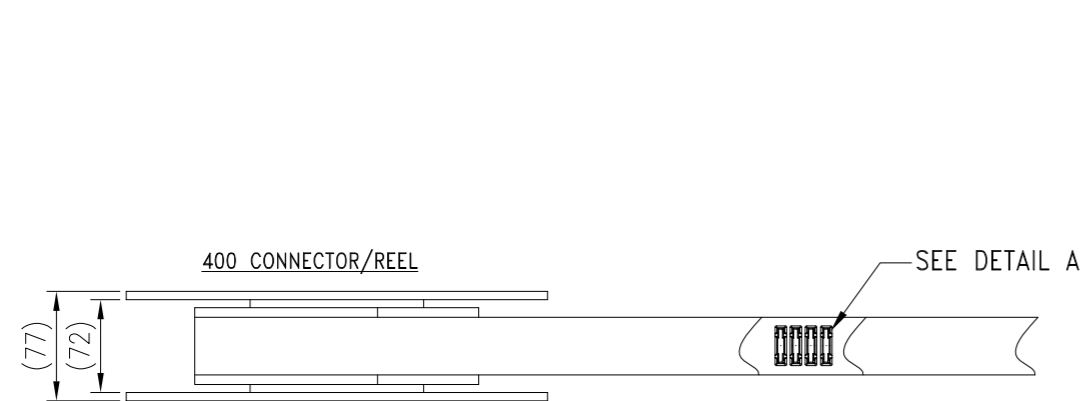


HF(无卤)	√
Non-HF(有卤)	

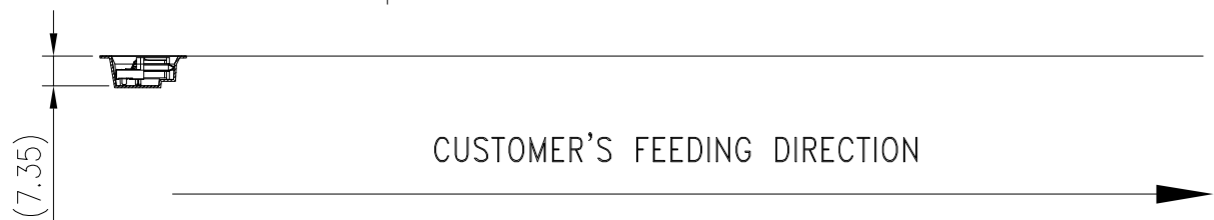
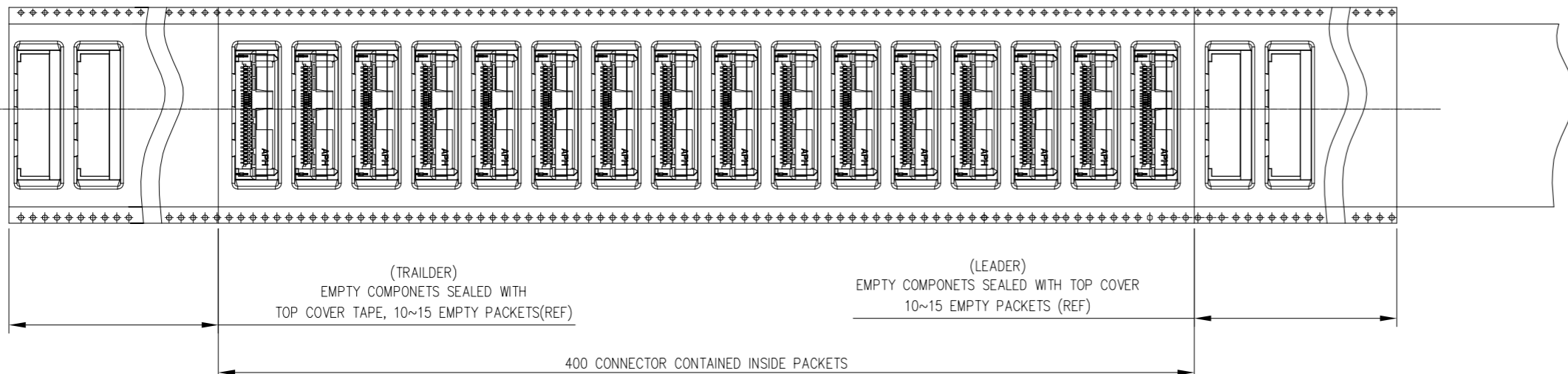
UNLESS OTHERWISE SPECIFIED TOLERANCES U.S. METRIC .X +/- 0.50 .XX +/- 0.25 .XXX +/- 0.20 FRACTIONS +/- ANGLES +/- 3° FOR MATERIALS AND FINISHES SEE NOTES REMOVE SHARP EDGES DIMENSIONS U.S. INCHES (METRIC) (MM)	APPROVAL DRAWN Alice.feng CHECKED CHECKED	DATE May.19.2025	Amphenol TITLE PCIe/SAS R/A SMT RECEPTACLE SIZE DRAWING NO. REV. A3 PSAS4F213001XXX 5 SCALE NONE SHEET 2 OF 3
	DRAWING FILE : \DRAWING\PSAS\PSAS4F213001XXX-5		
	ANGLE OF PROJECTION 		

This document is the property of Amphenol Corporation and is delivered on the express condition that it is not to be disclosed, reproduced or used, in whole or in part, for manufacture or sale by anyone other than Amphenol Corporation without its prior consent, & that no right is granted to disclose or to use any information in this document.

REVISIONS				
SYM	ECN	DESCRIPTION	DATE	APPROVED
REFER TO SHEET 1				



DETAIL A
SCALE 2:1



HF(无卤)	✓
Non-HF(有卤)	

UNLESS OTHERWISE SPECIFIED TOLERANCES U.S. METRIC .X +/- 0.50 .XX +/- 0.25 .XXX +/- 0.20 FRACTIONS +/- 3" ANGLES +/- FOR MATERIALS AND FINISHES SEE NOTES REMOVE SHARP EDGES DIMENSIONS U.S. INCHES (METRIC) (MM)	APPROVAL	DATE	Amphenol
	DRAWN Alice.feng	May.19.2025	
	CHECKED		
	CHECKED		
	DRAWING FILE : Drawing\PSAS\PSAS4F213001XXX-5		TITLE PCIe/SAS R/A SMT RECEPTACLE
	ANGLE OF PROJECTION		SIZE DRAWING NO. REV. A3 PSAS4F213001XXX 5
			SCALE NONE SHEET 3 OF 3