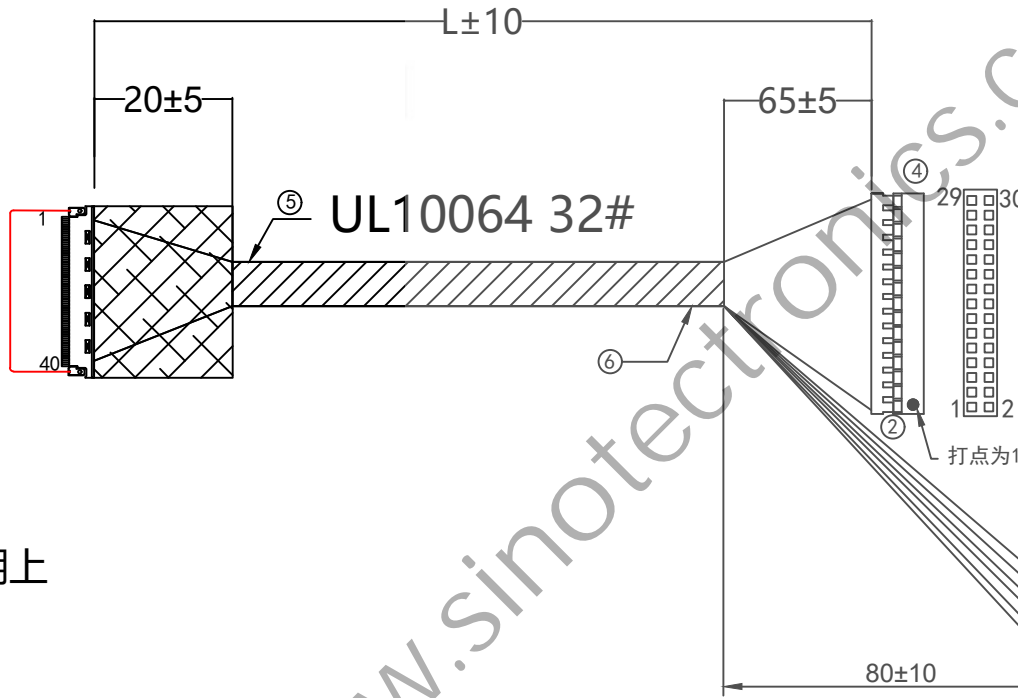


P/N.:LVDS-IPEX20454-40P-DP2.0-2x15P-PHR-6-300-P1010WXF1MA01



GN1
20454-40P
带拉环焊接面朝上

GN2
杜邦2.0
2*15

GN1		GN2	
2	1	1	VCC
4	2	2	VCC
3	3	3	VCC
8	7	7	RIN0-
	8	8	RIN0+
9	9	9	GND
10	10	10	RIN1-
11	11	11	RIN1+
12	6	6	GND
14	11	11	RIN2-
15	12	12	RIN2+
16	13	13	GND
17	15	15	CLK-
18	16	16	CLK+
19	14	14	GND
20	17	17	RIN3-
21	18	18	RIN3+

GN 3
PH2.0-6Y

GN1		GN3	
32	6	6	GND
33	5	5	GND
35	4	4	PWM
36	3	3	EN
38	2	2	VCC
39	1	1	VCC