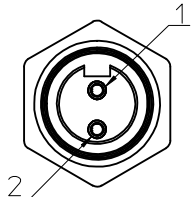
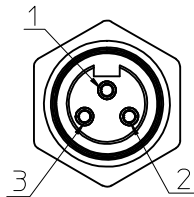


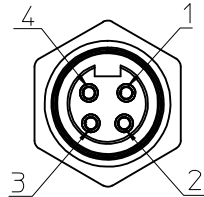
FACE VIEW - FEMALE INSERT SCALE 2 : 1



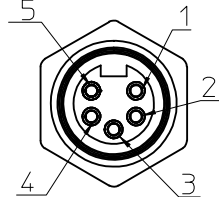
1 WHITE
2 BLACK



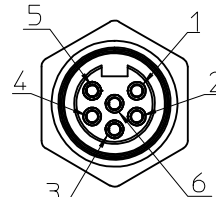
1 GREEN/YELLOW
2 BLACK
3 WHITE



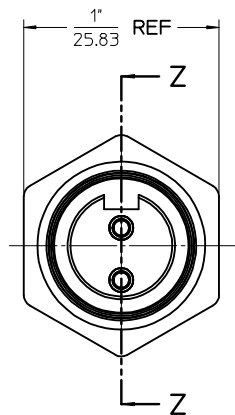
1 BLACK
2 WHITE
3 RED
4 GREEN/YELLOW



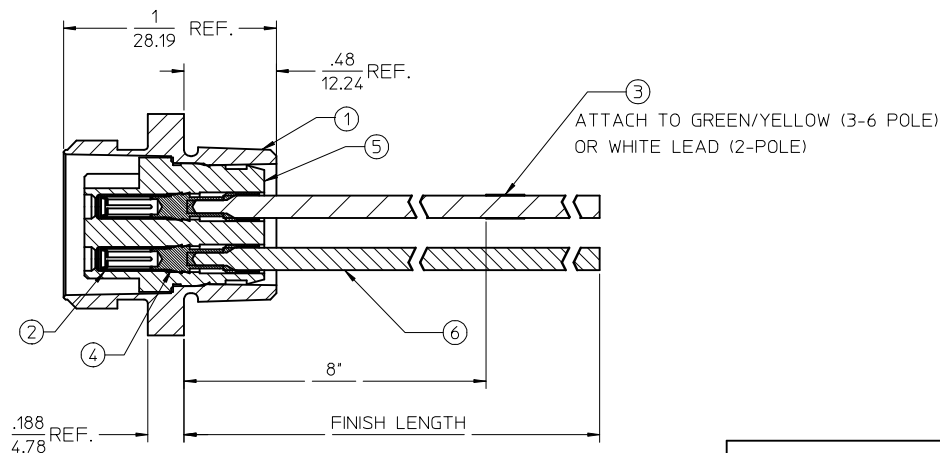
1 WHITE
2 RED
3 GREEN/YELLOW
4 ORANGE
5 BLACK



1 WHITE
2 RED
3 GREEN/YELLOW
4 ORANGE
5 BLACK
6 BLUE



FEMALE INSERT - FRONT VIEW



FINAL ASSEMBLY
1300130060 (SHOWN)

ENTER DESCRIPTION EC NO: MNA2010-0057 DRAWN BY: NKUMAR01 2009/07/13 CHKD: JFMURPHY APPR: JFMURPHY 2009/08/10 REV: A	DESCRIPTION DESCRIPTION	QUALITY SYMBOLS ▽=0 ▽=0	GENERAL TOLERANCES (UNLESS SPECIFIED)		DIMENSION STYLE SECTYON Z-Z	SCALE 2:1	DESIGN UNITS INCH	THIRD ANGLE PROJECTION			
			mm	INCH	DRAWN BY NKUMAR01	DATE 31/07/09	MC 2P FR 12IN 16/1 PVC				
			± ---	± ---	CHECKED BY BWOODMAN	DATE 31/07/09					
			ANGULAR ±1/2°		DRAFT WHERE APPLICABLE MUST REMAIN WITHIN DIMENSIONS		APPROVED BY JFMURPHY	DATE 31/07/09	MOLEX INCORPORATED		SHEET NO. 1 OF 2

SEE SHEET 2

MATERIAL NO. **SD-130013-060**

DOCUMENT NO. **SD-130013-060**

THIS DRAWING CONTAINS INFORMATION THAT IS PROPRIETARY TO MOLEX INCORPORATED AND SHOULD NOT BE USED WITHOUT WRITTEN PERMISSION

FEMALE RECEPTACLE ASSEMBLY

2 POLE	3 POLE	4 POLE	5 POLE	6 POLE
--------	--------	--------	--------	--------

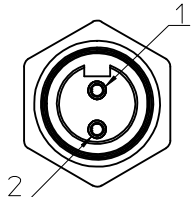
Sl. No.	DESCRIPTION	MATERIAL	FINISH	QUANTITY				
1	RECEPTACLE SHELL	ZINC DIECAST	BLACK E-COAT	1	1	1	1	1
2	SOCKET SLEEVE - TUBE	STAINLESS STEEL	PASSIVATED	2	3	4	5	6
3	LABEL	PLASTIC FILM	BLACK/YELLOW	1	1	1	1	1
4	SOCKET CONTACT 16AWG	COPPER ALLOY	GOLD PLATED	2	3	4	5	6
5	2P FEM INSERT PVC A-SIZE	PVC	YELLOW	1				
	3P FEM INSERT PVC A-SIZE	PVC	YELLOW		1			
	4P FEM INSERT PVC A-SIZE	PVC	YELLOW			1		
	5P FEM INSERT PVC A-SIZE	PVC	YELLOW				1	
6	#16-1 BLK PVC WIRE UL1015	PVC JACKET	BLACK	1	1	1	1	1
	#16-1 BLU PVC WIRE UL1015	PVC JACKET	BLUE					1
	#16-1 GRN/YEL PVC WIRE UL1015	PVC JACKET	GREEN/YELLOW		1	1	1	1
	#16-1 ORN PVC WIRE UL1015	PVC JACKET	ORANGE				1	1
	#16-1 RED PVC WIRE UL1015	PVC JACKET	RED			1	1	1
	#16-1 WHT PVC WIRE UL1015	PVC JACKET	WHITE		1	1	1	1

POLE COUNT	MAX. VOLTAGE RATING	MAX. CURRENT RATING
2 POLE	600 VOLTS	13 AMPS
3 POLE	600 VOLTS	13 AMPS
4 POLE	600 VOLTS	10 AMPS
5 POLE	600 VOLTS	8 AMPS
6 POLE	600 VOLTS	8 AMPS

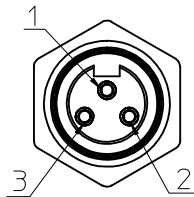
PART NUMBER	DESCRIPTION	FINISHED LENGTH
1300130060	1R2004A20A120	12.0" +.75" -0 [0.3M +19.1MM -0]
1300130067	1R2004A20F060	6.0' +2.19' -0 [1.8M +55.6MM -0]
1300130135	1R3004A20A120	12.0" +.75" -0 [0.3M +19.1MM -0]
1300130148	1R3004A20F060	6.0' +2.19' -0 [1.8M +55.6MM -0]
1300130314	1R4004A20A120	12.0" +.75" -0 [0.3M +19.1MM -0]
1300130325	1R4004A20F060	6.0' +2.19' -0 [1.8M +55.6MM -0]
1300130442	1R5004A20A120	12.0" +.75" -0 [0.3M +19.1MM -0]
1300130452	1R5004A20F060	6.0' +2.19' -0 [1.8M +55.6MM -0]
1300130567	1R6004A20A120	12.0" +.75" -0 [0.3M +19.1MM -0]
1300130576	1R6004A20F060	6.0' +2.19' -0 [1.8M +55.6MM -0]

ENTER DESCRIPTION EC NO: MNA2010-0057 DRWN: NKUMAR01 2009/07/31 CHKD: APPR: JFMURPHY 2009/08/10 REV: A	QUALITY SYMBOLS 	GENERAL TOLERANCES (UNLESS SPECIFIED) <table border="1" style="width: 100%; border-collapse: collapse;"> <tr> <th></th> <th>mm</th> <th>INCH</th> </tr> <tr> <td>4 PLACES</td> <td>± ---</td> <td>± ---</td> </tr> <tr> <td>3 PLACES</td> <td>± ---</td> <td>± ---</td> </tr> <tr> <td>2 PLACES</td> <td>± ---</td> <td>± ---</td> </tr> <tr> <td>1 PLACE</td> <td>± ---</td> <td>± ---</td> </tr> </table>		mm	INCH	4 PLACES	± ---	± ---	3 PLACES	± ---	± ---	2 PLACES	± ---	± ---	1 PLACE	± ---	± ---	DIMENSION STYLE IN/MM	SCALE 2:1	DESIGN UNITS INCH	THIRD ANGLE PROJECTION
			mm	INCH																	
		4 PLACES	± ---	± ---																	
		3 PLACES	± ---	± ---																	
2 PLACES	± ---	± ---																			
1 PLACE	± ---	± ---																			
DRAWN BY: NKUMAR01 DATE: 31/07/09 CHECKED BY: BWOODMAN DATE: 31/07/09 APPROVED BY: JFMURPHY DATE: 31/07/09		MC 2P FR 12IN 16/1 PVC		MOLEX INCORPORATED																	
ANGULAR ±1/2°		SEE CHART		DOCUMENT NO. SD-130013-060																	
DRAFT WHERE APPLICABLE MUST REMAIN WITHIN DIMENSIONS		MATERIAL NO.		SHEET NO. 2 OF 2																	

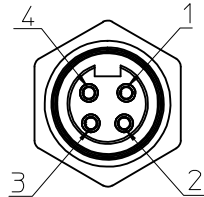
FACE VIEW - FEMALE INSERT SCALE 2 : 1



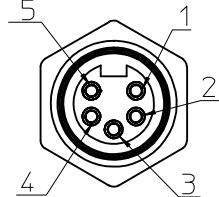
1 WHITE
2 BLACK



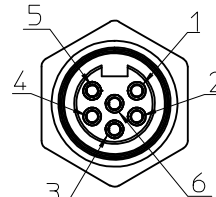
1 GREEN/YELLOW
2 BLACK
3 WHITE



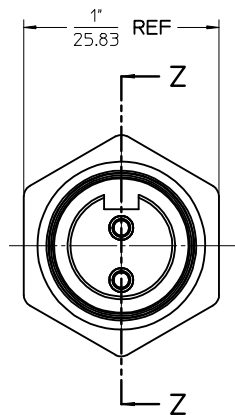
1 BLACK
2 WHITE
3 RED
4 GREEN/YELLOW



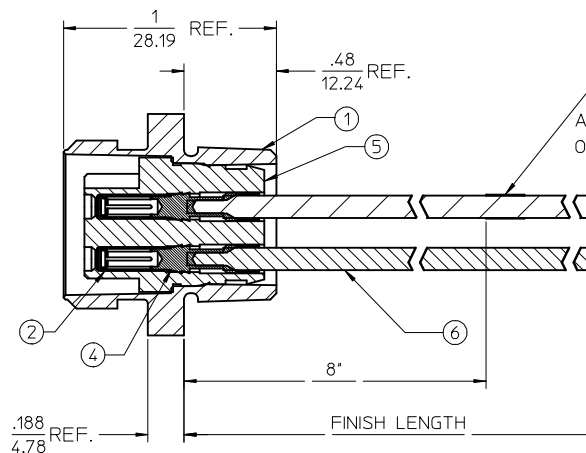
1 WHITE
2 RED
3 GREEN/YELLOW
4 ORANGE
5 BLACK



1 WHITE
2 RED
3 GREEN/YELLOW
4 ORANGE
5 BLACK
6 BLUE



FEMALE INSERT - FRONT VIEW



③ ATTACH TO GREEN/YELLOW (3-6 POLE)
OR WHITE LEAD (2-POLE)

FINAL ASSEMBLY
1300130060 (SHOWN)

ENTER DESCRIPTION EC NO: MNA2010-0057 DRAWN BY: NKUMAR01 2009/07/13 CHKD: JFMURPHY APPR: JFMURPHY 2009/08/10 REV: A	DESCRIPTION DESCRIPTION DESCRIPTION	QUALITY SYMBOLS ▽=0 ▽=0	GENERAL TOLERANCES (UNLESS SPECIFIED)		DIMENSION STYLE SECTION Z-Z	SCALE 2:1	DESIGN UNITS INCH	THIRD ANGLE PROJECTION MC 2P FR 12IN 16/1 PVC	
					DRAWN BY NKUMAR01	DATE 31/07/09			
					CHECKED BY BWOODMAN	DATE 31/07/09			
					APPROVED BY JFMURPHY	DATE 31/07/09			
			ANGULAR ±1/2°		MATERIAL NO.		DOCUMENT NO.		
DRAFT WHERE APPLICABLE MUST REMAIN WITHIN DIMENSIONS			SEE SHEET 2		SD-130013-060		SHEET NO. 1 OF 2		
THIS DRAWING CONTAINS INFORMATION THAT IS PROPRIETARY TO MOLEX INCORPORATED AND SHOULD NOT BE USED WITHOUT WRITTEN PERMISSION									

FEMALE RECEPTACLE ASSEMBLY

2 POLE	3 POLE	4 POLE	5 POLE	6 POLE
--------	--------	--------	--------	--------

Sl. No.	DESCRIPTION	MATERIAL	FINISH	QUANTITY				
1	RECEPTACLE SHELL	ZINC DIECAST	BLACK E-COAT	1	1	1	1	1
2	SOCKET SLEEVE - TUBE	STAINLESS STEEL	PASSIVATED	2	3	4	5	6
3	LABEL	PLASTIC FILM	BLACK/YELLOW	1	1	1	1	1
4	SOCKET CONTACT 16AWG	COPPER ALLOY	GOLD PLATED	2	3	4	5	6
5	2P FEM INSERT PVC A-SIZE	PVC	YELLOW	1				
	3P FEM INSERT PVC A-SIZE	PVC	YELLOW		1			
	4P FEM INSERT PVC A-SIZE	PVC	YELLOW			1		
	5P FEM INSERT PVC A-SIZE	PVC	YELLOW				1	
6	#16-1 BLK PVC WIRE UL1015	PVC JACKET	BLACK	1	1	1	1	1
	#16-1 BLU PVC WIRE UL1015	PVC JACKET	BLUE					1
	#16-1 GRN/YEL PVC WIRE UL1015	PVC JACKET	GREEN/YELLOW		1	1	1	1
	#16-1 ORN PVC WIRE UL1015	PVC JACKET	ORANGE				1	1
	#16-1 RED PVC WIRE UL1015	PVC JACKET	RED			1	1	1
	#16-1 WHT PVC WIRE UL1015	PVC JACKET	WHITE		1	1	1	1

POLE COUNT	MAX. VOLTAGE RATING	MAX. CURRENT RATING
2 POLE	600 VOLTS	13 AMPS
3 POLE	600 VOLTS	13 AMPS
4 POLE	600 VOLTS	10 AMPS
5 POLE	600 VOLTS	8 AMPS
6 POLE	600 VOLTS	8 AMPS

PART NUMBER	DESCRIPTION	FINISHED LENGTH
1300130060	1R2004A20A120	12.0" +.75" -0 [0.3M +19.1MM -0]
1300130067	1R2004A20F060	6.0' +2.19' -0 [1.8M +55.6MM -0]
1300130135	1R3004A20A120	12.0" +.75" -0 [0.3M +19.1MM -0]
1300130148	1R3004A20F060	6.0' +2.19' -0 [1.8M +55.6MM -0]
1300130314	1R4004A20A120	12.0" +.75" -0 [0.3M +19.1MM -0]
1300130325	1R4004A20F060	6.0' +2.19' -0 [1.8M +55.6MM -0]
1300130442	1R5004A20A120	12.0" +.75" -0 [0.3M +19.1MM -0]
1300130452	1R5004A20F060	6.0' +2.19' -0 [1.8M +55.6MM -0]
1300130567	1R6004A20A120	12.0" +.75" -0 [0.3M +19.1MM -0]
1300130576	1R6004A20F060	6.0' +2.19' -0 [1.8M +55.6MM -0]

ENTER DESCRIPTION EC NO: MNA2010-0057 DRAWN BY: DRWINAKUMAR01 2009/07/31 CHKD: APPR: JFMURPHY 2009/08/10 REV: A	QUALITY SYMBOLS ▽=0 ▽=0	GENERAL TOLERANCES (UNLESS SPECIFIED) <table border="1" style="width: 100%; border-collapse: collapse;"> <tr> <td></td> <td>mm</td> <td>INCH</td> </tr> <tr> <td>4 PLACES</td> <td>± ---</td> <td>± ---</td> </tr> <tr> <td>3 PLACES</td> <td>± ---</td> <td>± ---</td> </tr> <tr> <td>2 PLACES</td> <td>± ---</td> <td>± ---</td> </tr> <tr> <td>1 PLACE</td> <td>± ---</td> <td>± ---</td> </tr> </table> ANGULAR ±1/2° DRAFT WHERE APPLICABLE MUST REMAIN WITHIN DIMENSIONS		mm	INCH	4 PLACES	± ---	± ---	3 PLACES	± ---	± ---	2 PLACES	± ---	± ---	1 PLACE	± ---	± ---	DIMENSION STYLE IN/MM DRAWN BY: NKUMAR01 CHECKED BY: BWOODMAN APPROVED BY: JFMURPHY DATE: 31/07/09 DATE: 31/07/09 DATE: 31/07/09	SCALE 2:1 DESIGN UNITS INCH	THIRD ANGLE PROJECTION MC 2P FR 12IN 16/1 PVC MOLEX INCORPORATED SD-130013-060 SHEET NO. 2 OF 2
	mm	INCH																		
4 PLACES	± ---	± ---																		
3 PLACES	± ---	± ---																		
2 PLACES	± ---	± ---																		
1 PLACE	± ---	± ---																		

6

5

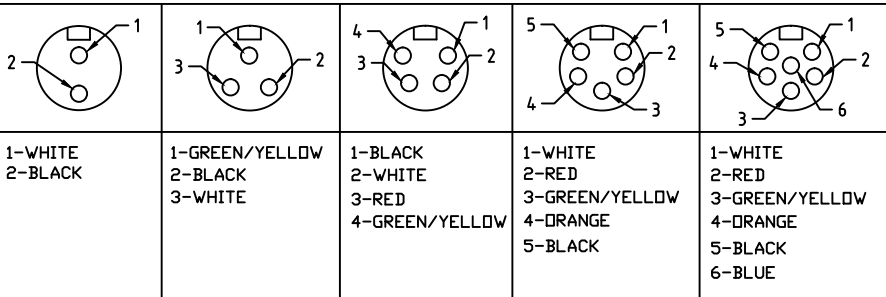
4

3

2

1

FACE VIEW-FEMALE INSERT



NOTES:

- MATERIAL: SEE TABLE
- FINISH: SEE TABLE
- ELECTRICAL:
VOLTAGE: 2P THRU 6P 600V PER UL 2238
3P 500V PER IEC60664
4P 483V PER IEC60664
5 & 6P 400V PER IEC60664

- CURRENT: 2P & 3P: 13A
4P: 10A
5P & 6P: 8A

- TEMP RATING: -20°TO +105°C
- PROTECTION: IP67 (WHEN MATED)
- UL RECOGNIZED, FILE E152210
- ALL DIMS ARE FOR REFERENCE UNLESS NOTED OTHERWISE

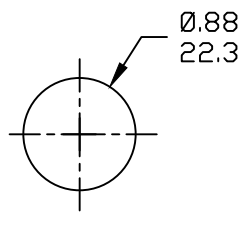
(A1)

CABLE LENGTH TOLERANCES

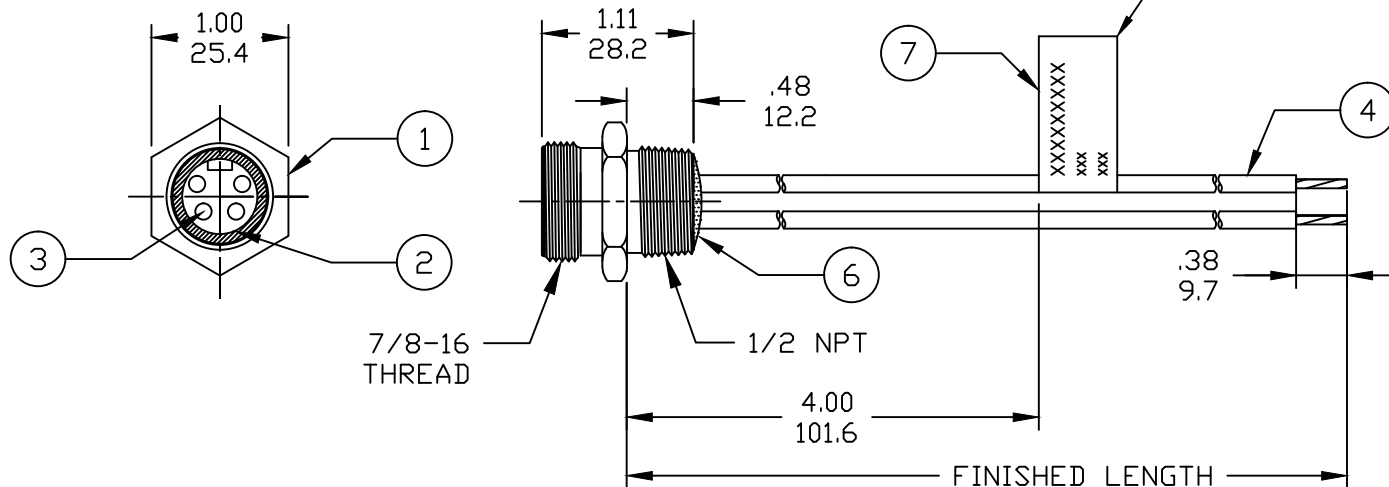
- >.3M [1FT]: +19mm-0 [+.75in-0]
.3 - .9M [1 - 3FT]: +44.5mm-0 [+1.75in-0]
.9 - 1.8M [3 - 6FT]: +55.6mm-0 [+2.19in-0]
1.8 - 3.7M [6 - 12FT]: +88.9mm-0 [+3.50in-0]
3.7 - 7.3M [12 - 24FT]: +165.1mm-0 [+6.50in-0]
7.3-14.6M [24 - 48FT]: +317.5mm-0 [+12.50in-0]
14.6 - 30.5M [48-100FT]: +622.3mm-0 [+24.50in-0]
OVER 30M [100FT] +2% OF FINISHED LENGTH

CHART (A1)

PART NO.	ENGINEERING NO.	FINISHED LENGTH
1300130582	1R6004A20F120	12IN
1300131164	1R5004A20M010	1.0M
1300130328	1R4004A20F080	8.0FT



REF. KNOCKOUT HOLE



PART NUMBER LEGEND

1R3004A20F020

- POLES: 2-6
FINISHED LENGTH:
A120= 12 IN.
F020= 2 FEET
F100= 10 FEET

- M005= 0.5 METER
M010= 1 METER
M100= 10 METER

TABLE

ITEM	DESCRIPTION	MATERIAL	FINISH
6	FLAG LABEL	VINYL	BLACK/YELLOW
5	POTTING MATERIAL	EPDXY	
4	WIRE, 16 AWG UL (1015)	PVC INSULATION	SEE CHART
3	CONTACT SOCKET	COPPER ALLOY	GOLD PLATED
2	FEMALE INSERT	PVC	YELLOW
1	RECEPTACLE SHELL	ZINC DIE-CAST	BLACK

REV'D EC/VOLTS, ADD UL FILE, CHART & TOOLS
EC NO: IPG2017-1018
DRWN: RSTONE 5/1/17
CHKD: M ZIELIN 2017/05/08
APPR: BWOODMAN

QUALITY SYMBOLS
=0
C=0

GENERAL TOLERANCES (UNLESS SPECIFIED)

	mm	INCH
4 PLACES	±---	±---
3 PLACES	±---	±---
2 PLACES	±---	±---
1 PLACE	±---	±---

ANGULAR ±1/2°

DRAFT WHERE APPLICABLE
MUST REMAIN
WITHIN DIMENSIONS

DIMENSION STYLE
INCH/MM

DRAWN BY	DATE
RSTONE	2016/12/05
CHECKED BY	DATE
M ZIELIN	2016/12/12
APPROVED BY	DATE
---	---

MATERIAL NO. --

SIZE A

THIS DRAWING CONTAINS INFORMATION THAT IS PROPRIETARY TO MOLEX INCORPORATED AND SHOULD NOT BE USED WITHOUT WRITTEN PERMISSION

SCALE ---

DESIGN UNITS INCH

THIRD ANGLE PROJECTION

TITLE
MINI-CHANGE RECEPTACLE
2-6P FEMALE
#16-1 PVC WIRES

MOLEX MOLEX INCORPORATED

DOCUMENT NO. SD-130013-121

SHEET NO. 1 OF 1

6

5

4

3

2

1

6

5

4

3

2

1

E

E

D

D

C

C

B

B

A

A

FACE VIEW-FEMALE INSERT

- NOTES:
1. MATERIAL: SEE TABLE
 2. FINISH: SEE TABLE
 3. ELECTRICAL:
 - VOLTAGE: 2P THRU 6P 600V PER UL 2238
 - 3P 500V PER IEC60664
 - 4P 483V PER IEC60664
 - 5 & 6P 400V PER IEC60664
 4. TEMP RATING: -20°TO +105°C
 5. PROTECTION: IP67 (WHEN MATED)
 6. UL RECOGNIZED, FILE E152210
 7. ALL DIMS ARE FOR REFERENCE UNLESS NOTED OTHERWISE

(A1) CABLE LENGTH TOLERANCES

>.3M [1FT]:	+19mm-0 [+.75in-0]
.3 - .9M [1 - 3FT]:	+44.5mm-0 [+1.75in-0]
.9 - 1.8M [3 - 6FT]:	+55.6mm-0 [+2.19in-0]
1.8 - 3.7M [6 - 12FT]:	+88.9mm-0 [+3.50in-0]
3.7 - 7.3M [12 - 24FT]:	+165.1mm-0 [+6.50in-0]
7.3-14.6M [24 - 48FT]:	+317.5mm-0 [+12.50in-0]
14.6 - 30.5M [48-100FT]:	+622.3mm-0 [+24.50in-0]
OVER 30M [100FT]	+2% OF FINISHED LENGTH

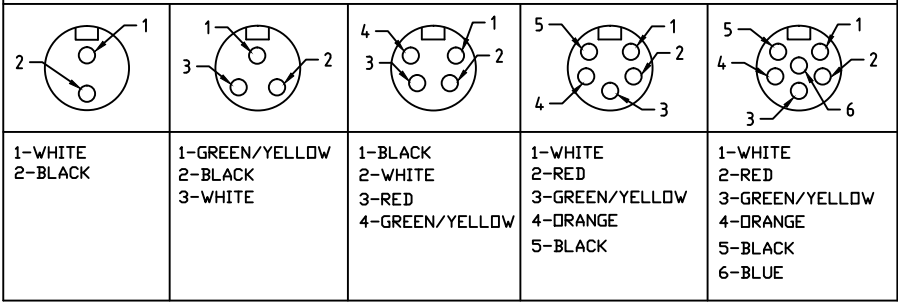
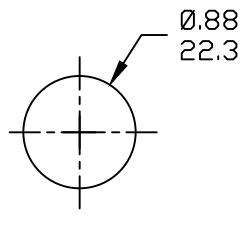
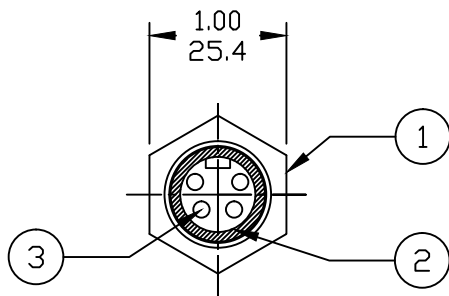


CHART (A1)

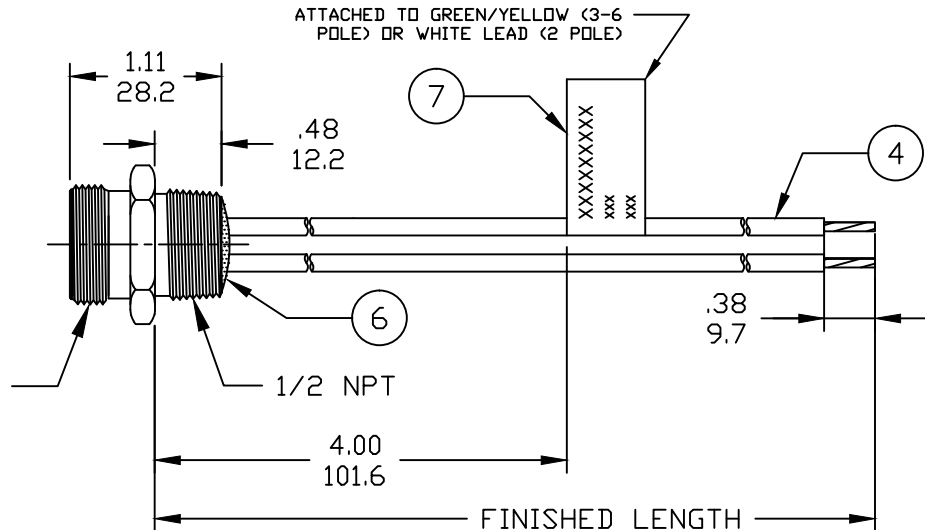
PART NO.	ENGINEERING NO.	FINISHED LENGTH
1300130582	1R6004A20F120	12IN
1300131164	1R5004A20M010	1.0M
1300130328	1R4004A20F080	8.0FT



REF. KNOCKOUT HOLE



7/8-16
THREAD



PART NUMBER LEGEND

1R3004A20F020

POLES 2-6 FINISHED LENGTH:
 A120= 12 IN.
 F020= 2 FEET
 F100= 10 FEET

M005= 0.5 METER
 M010= 1 METER
 M100= 10 METER

TABLE

ITEM	DESCRIPTION	MATERIAL	FINISH
6	FLAG LABEL	VINYL	BLACK/YELLOW
5	POTTING MATERIAL	EPDXY	
4	WIRE, 16 AWG UL (1015)	PVC INSULATION	SEE CHART
3	CONTACT SOCKET	COPPER ALLOY	GOLD PLATED
2	FEMALE INSERT	PVC	YELLOW
1	RECEPTACLE SHELL	ZINC DIE-CAST	BLACK

REV'D EC/VOLTS, ADD UL FILE, CHART & TOOLS
 EC NO: IFC2017-1018
 DRWN: RSTONE 5/1/17
 CHKD: M ZIELIN 2017/05/08
 APPR: BWOODMAN

QUALITY SYMBOLS
 ▽=0
 ▽/C=0

GENERAL TOLERANCES (UNLESS SPECIFIED)

	mm	INCH
4 PLACES	±---	±---
3 PLACES	±---	±---
2 PLACES	±---	±---
1 PLACE	±---	±---

ANGULAR ±1/2°

DRAFT WHERE APPLICABLE
 MUST REMAIN
 WITHIN DIMENSIONS

DIMENSION STYLE INCH/MM

DRAWN BY	DATE
RSTONE	2016/12/05
CHECKED BY	DATE
M ZIELIN	2016/12/12
APPROVED BY	DATE
---	---

MATERIAL NO. --

SIZE A

SCALE --- DESIGN UNITS INCH THIRD ANGLE PROJECTION

TITLE
 MINI-CHANGE RECEPTACLE
 2-6P FEMALE
 #16-1 PVC WIRES

MOLEX MOLEX INCORPORATED

DOCUMENT NO. SD-130013-121 SHEET NO. 1 OF 1

THIS DRAWING CONTAINS INFORMATION THAT IS PROPRIETARY TO MOLEX INCORPORATED AND SHOULD NOT BE USED WITHOUT WRITTEN PERMISSION

6

5

4

3

2

1