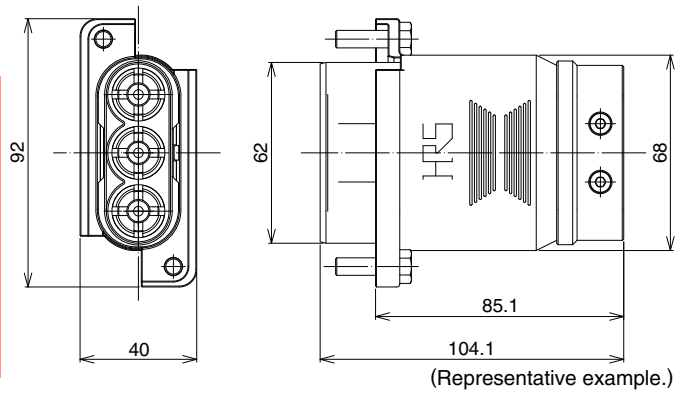


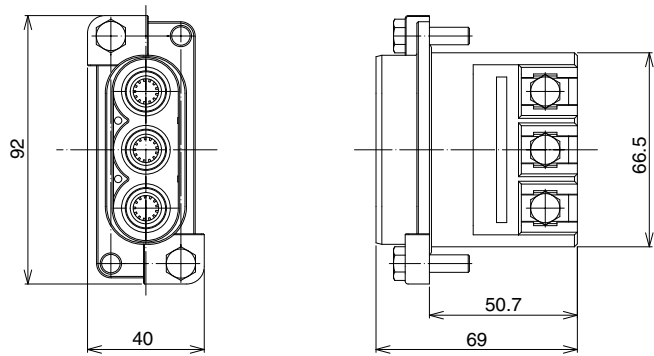
■ Plug



(Representative example.)

Part No.	HRS No.	No. of contacts	Packaging
EV1-62P-3PC	139-0001-0	3	1
EV1-62P-2PC	139-0007-7	2	

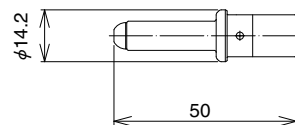
■ Receptacle



(Representative example.)

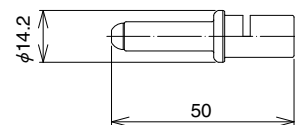
Part No.	HRS No.	No. of contacts	Waterproofing	Packaging
EV1-62R-3SB	139-0002-3	3	Waterproof in mated state	1
EV1-62RA-3SB	139-0003-6		Waterproof as single unit	
EV1-62RA-2SB	139-0008-0	2		

◆ Male Contacts



Part No.	HRS No.	Packaging
EV1-PC-112 *3	139-0004-9	3 pcs/pack
EV1-PC-112 (01)*3	139-0004-9 01	2 pcs/pack

Note3 : EV1-PC-112, EV1-PC-112(01) is the recommended contact when using the electric oil pressure crimping tool.



Part No.	HRS No.	Packaging
EV1-PC1-112 *4	139-0005-1	3 pcs/pack
EV1-PC1-112(01) *4	139-0005-1 01	2 pcs/pack

Note4 : EV1-PC1-112, EV1-PC1-112(01) is the recommended contact when using the manual oil pressure crimping tool.