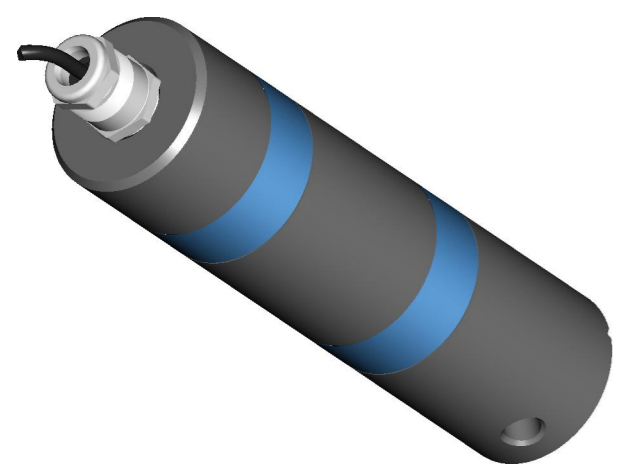
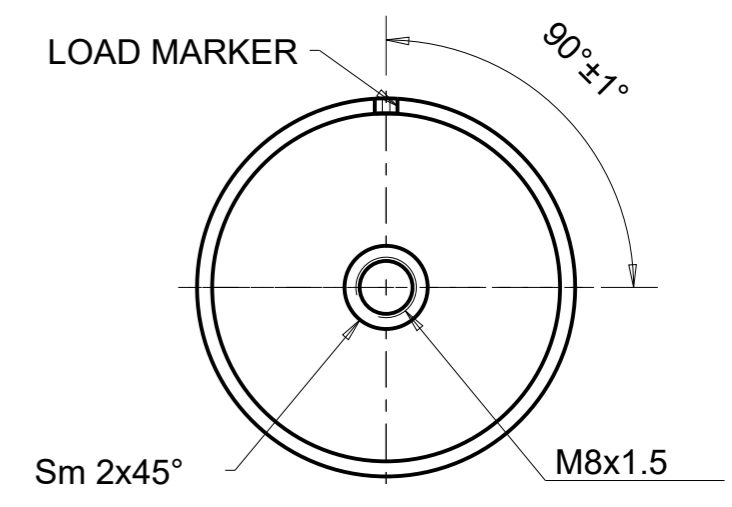
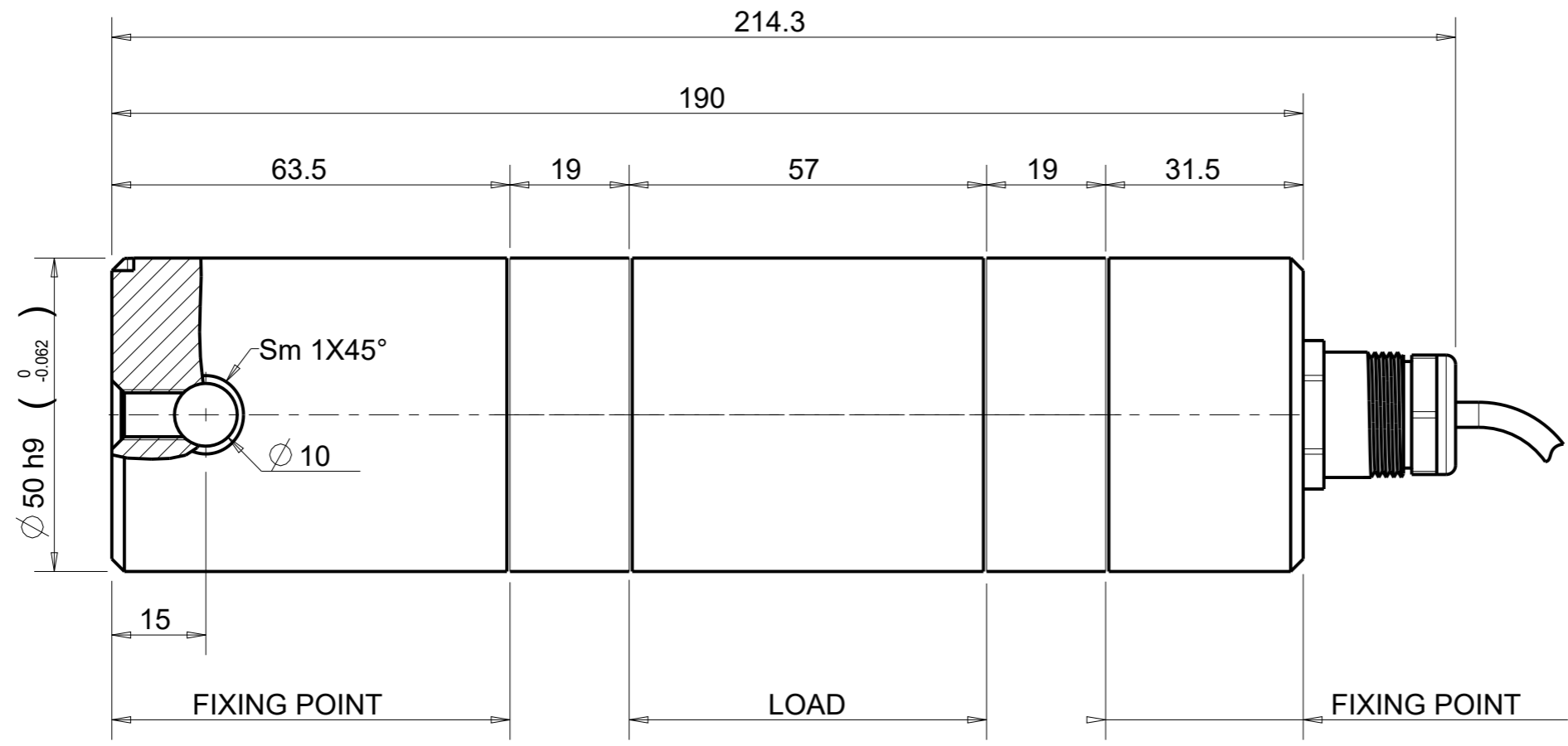


NOTE: Item not painted



INPUT +	RED
INPUT -	BLACK
OUTPUT +	GREEN
OUTPUT -	WHITE

SPECIFICATIONS	MOBILE
RATED LOAD (LBS)	22046
RATED LOAD (Kg)	10000
RATED OUTPUT (mV/V)	0.82

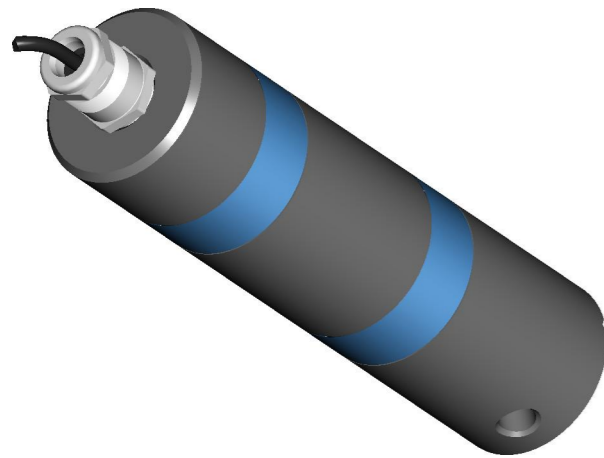
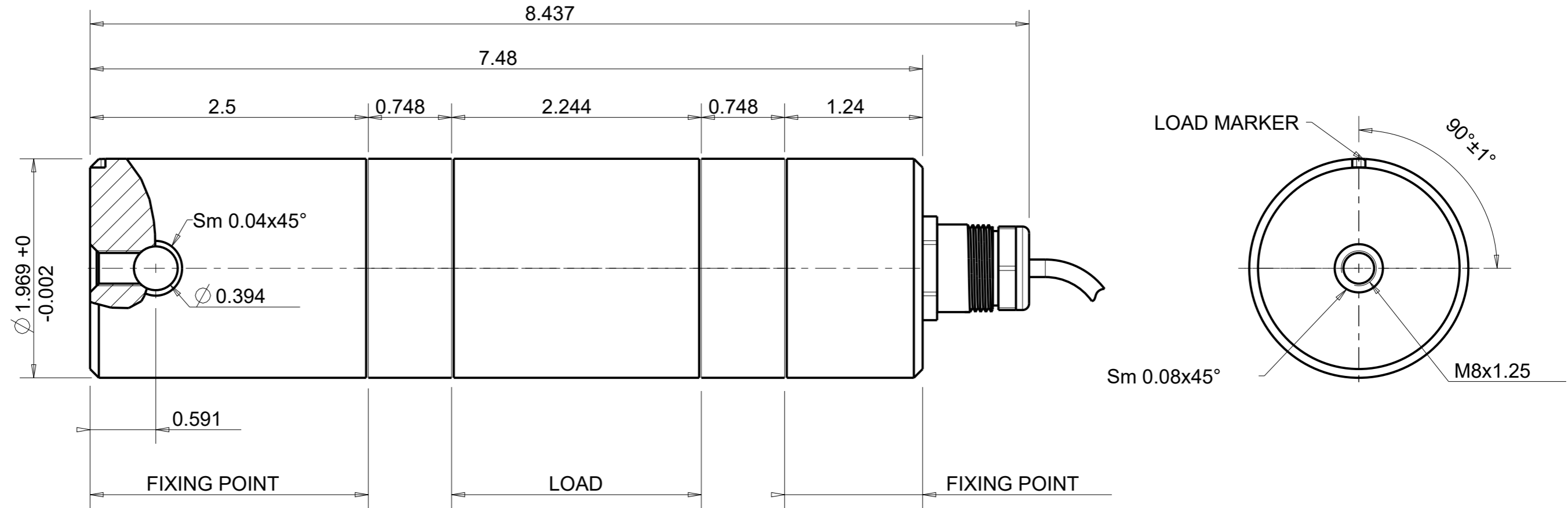
PART CODE	CABLE LENGHT		CABLE TERMINATION
	FT	m	
969-0236	21	6.5	ECP

D	A3	26/05/17	M.B.	Agg. cavo fdm 145/17	 A3		
C	A2	31/05/13	M.B.	Aggiornamento componenti			
B	A1	28/09/12	M.B.	Modificato codice colore			
A	A0	13/07/11	M.B.	Emissione disegno			
REV.	MOD.N.	DATE	SIGNATURE	DESCRIPTION	SCALE		
					1/1		
 DINAMICA GENERALE Weight Systems 46025 Poggio Rusco (MN) Via Mondadori, 15 Tel. ++39 0386.52134 Fax ++39 0386.51523				*DRAWN DATE: 13/07/2011 SIGNATURE: M.BRESCIANI	*CHECKED DATE: 13/07/2011 SIGNATURE: A.ZENNARO	*APPROVED DATE: 13/07/2011 SIGNATURE: M.GILLI	UNSPECIFIED TOLLERANCES ± 0.5 ROUGHNESS
WEIGHT [kg]				*REFER TO ORIGINAL DRAWING IF SIGNATURE ARE PRINTED			
2.703							
DESCRIPTION							
PIN Load Cell DG24500/50-BV C=6.5m + ECP-DG							
CODE				REV.			
969-0236				A3	THE COPY OF THIS DRAWING MUST BE APPROVED BY DINAMICA GENERALE		

This documents is for reference, dimensions are subject to change.  
 ALL RIGHTS OF THE PROJECT STRICTLY RESERVED TO DINAMICA GENERALE. REPRODUCTION OR ISSUE TO THIRD PARTIES IN ANY FORM WHATEVER IS, NOT PERMITTED WITHOUT WRITTEN AUTHORIZATION FROM DINAMICA GENERALE

MEASURES EXPRESSED IN INCHES

NOTE: Item not painted



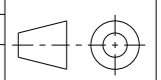

This documents is for reference, dimensions are subject to change.

ALL RIGHTS OF THE PROJECT STRICTLY RESERVED TO DINAMICA GENERALE. REPRODUCTION OR ISSUE TO THIRD PARTIES IN ANY FORM WHATEVER IS, NOT PERMITTED WITHOUT WRITTEN AUTHORIZATION FROM DINAMICA GENERALE

INPUT +	RED
INPUT -	BLACK
OUTPUT +	GREEN
OUTPUT -	WHITE

SPECIFICATIONS	MOBILE
RATED LOAD (LBS)	22046
RATED LOAD (Kg)	10000
RATED OUTPUT (mV/V)	0.82

PART CODE	CABLE LENGHT		CABLE TERMINATION
	FT	m	
969-0236	21	6.5	ECP

D	A3	26/05/17	M.B.	Agg. cavo fdm 145/17	 SCALE <b>1/1</b>		
C	A2	31/05/13	M.B.	Aggiornamento componenti			
B	A1	28/09/12	M.B.	Modificato codice colore			
A	A0	13/07/11	M.B.	Emissione disegno			
REV.	MOD.N.	DATE	SIGNATURE	DESCRIPTION	UNSPECIFIED TOLLERANCES <b>± 0.5</b>		
 DINAMICA GENERALE Weight Systems				*DRAWN DATE: 13/07/2011 SIGNATURE: M.BRESCIANI	*CHECKED DATE: 13/07/2011 SIGNATURE: A.ZENNARO	*APPROVED DATE: 13/07/2011 SIGNATURE: M.GILLI	*REFER TO ORIGINAL DRAWING IF SIGNATURE ARE PRINTED
				WEIGHT [lbs] 5.96	ROUGHNESS		
				DESCRIPTION PIN Load Cell DG24500/50-BV C=6.5m + ECP-DG			
				CODE <b>969-0236</b>	REV. <b>A3</b>	THE COPY OF THIS DRAWING MUST BE APPROVED BY DINAMICA GENERALE	