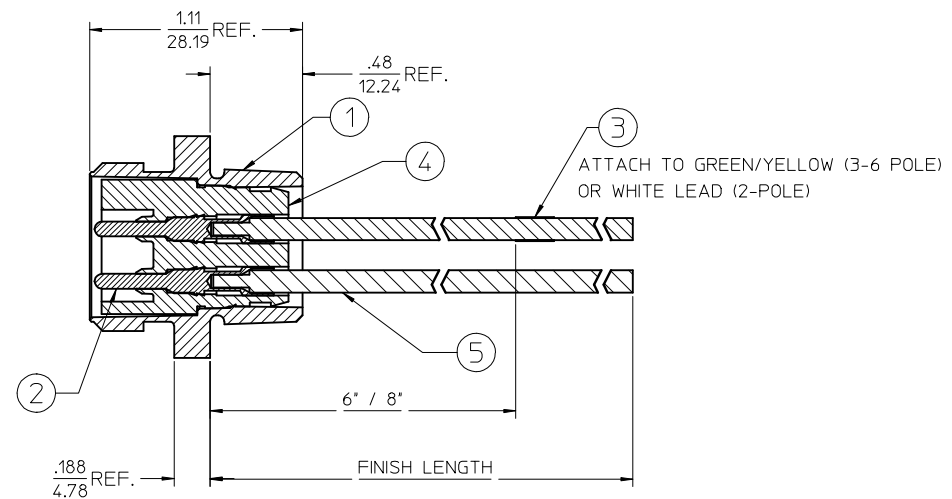
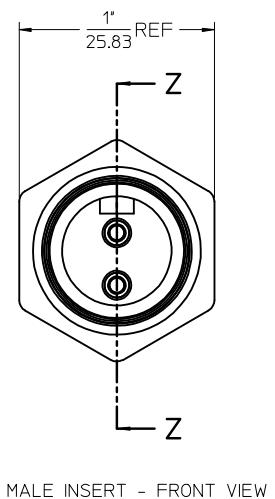


# FACE VIEW - MALE INSERT SCALE 2 : 1

1 WHITE 2 BLACK	1 GREEN/YELLOW 2 BLACK 3 WHITE	1 BLACK 2 WHITE 3 RED 4 GREEN/YELLOW	1 WHITE 2 RED 3 GREEN/YELLOW 4 ORANGE 5 BLACK	1 WHITE 2 RED 3 GREEN/YELLOW 4 ORANGE 5 BLACK 6 BLUE



FINAL ASSEMBLY  
1300130076

ENTER DESCRIPTION EC NO: MNA2010-0057 DRAWN: NKUMAR01 2009/07/31 CHKD: JFMURPHY APPR: JFMURPHY 2009/08/10 REV: A	QUALITY SYMBOLS ▽=0 ▽=0	GENERAL TOLERANCES (UNLESS SPECIFIED) <table border="1" style="width: 100%; border-collapse: collapse;"> <tr> <th></th> <th>mm</th> <th>INCH</th> </tr> <tr> <td>4 PLACES ±</td> <td>---</td> <td>± ---</td> </tr> <tr> <td>3 PLACES ±</td> <td>---</td> <td>± ---</td> </tr> <tr> <td>2 PLACES ±</td> <td>---</td> <td>± ---</td> </tr> <tr> <td>1 PLACE ±</td> <td>---</td> <td>± ---</td> </tr> </table> ANGULAR ±1/2°		mm	INCH	4 PLACES ±	---	± ---	3 PLACES ±	---	± ---	2 PLACES ±	---	± ---	1 PLACE ±	---	± ---	DIMENSION STYLE IN/MM DRAWN BY: NKUMAR01 CHECKED BY: BWOODMAN APPROVED BY: JFMURPHY MATERIAL NO.: 9999999999	SCALE 2:1	DESIGN UNITS INCH THIRD ANGLE PROJECTION	TITLE MC 2P MR 12IN. 16/1 PVC	SHEET NO. 1 OF 2
		mm	INCH																			
	4 PLACES ±	---	± ---																			
	3 PLACES ±	---	± ---																			
2 PLACES ±	---	± ---																				
1 PLACE ±	---	± ---																				
DRAFT WHERE APPLICABLE MUST REMAIN WITHIN DIMENSIONS		DATE: 31/07/09 DATE: 31/07/09 DATE: 31/07/09		DOCUMENT NO.: SD-130013-076		MOLEX INCORPORATED																
THIS DRAWING CONTAINS INFORMATION THAT IS PROPRIETARY TO MOLEX INCORPORATED AND SHOULD NOT BE USED WITHOUT WRITTEN PERMISSION																						

MALE RECEPTACLE ASSEMBLY

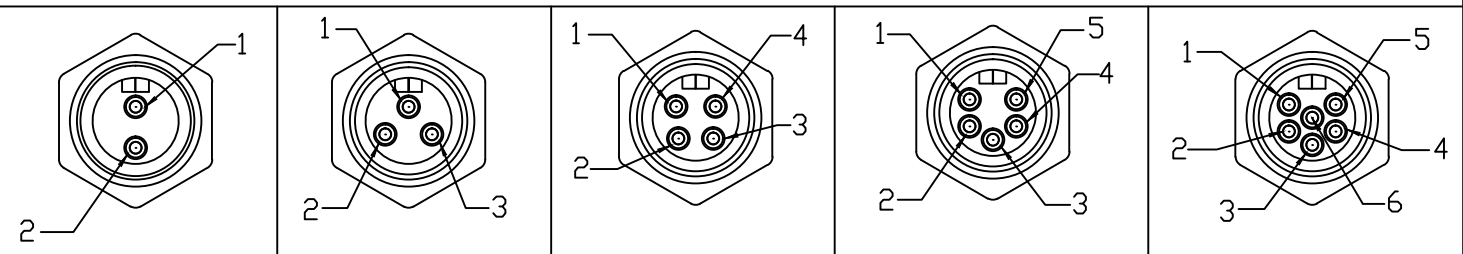
SI. No.	DESCRIPTION	MATERIAL	FINISH	QUANTITY				
				2 POLE	3 POLE	4 POLE	5 POLE	6 POLE
1	RECEPTACLE SHELL	ZINC DIECAST	BLACK E-COAT	1	1	1	1	1
2	PIN CONTACT 16AWG	COPPER ALLOY	GOLD PLATED	2	3	4	5	6
3	LABEL	PLASTIC FILM	BLACK/YELLOW	1	1	1	1	1
4	2P MALE INSERT PVC A SIZE	PVC	YELLOW	1				
	3P MALE INSERT PVC A SIZE	PVC	YELLOW		1			
	4P MALE INSERT PVC A SIZE	PVC	YELLOW			1		
	5P MALE INSERT PVC A SIZE	PVC	YELLOW				1	
	6P MALE INSERT PVC A SIZE	PVC	YELLOW					1
5	#16-1 WHT PVC WIRE UL1015	PVC JACKET	WHITE	1	1	1	1	1
	#16-1 RED PVC WIRE UL1015	PVC JACKET	RED					1
	#16-1 ORN PVC WIRE UL1015	PVC JACKET	ORANGE		1	1	1	1
	#16-1 GRN/YEL PVC WIRE UL1015	PVC JACKET	GREEN/YELLOW				1	1
	#16-1 BLU PVC WIRE UL1015	PVC JACKET	BLUE			1	1	1
	#16-1 BLK PVC WIRE UL1015	PVC JACKET	BLACK	1	1	1	1	1

PART NUMBER	DESCRIPTION	FINISHED LENGTH
1300130076	1R2006A20A120	12.0" +.75" -0 [0.3M +19.1MM -0]
1300130084	1R2006A20F060	6.0' +2.19" -0 [1.8M +55.6MM -0]
1300130202	1R3006A20A120	12.0" +.75" -0 [0.3M +19.1MM -0]
1300130215	1R3006A20F060	6.0' +2.19" -0 [1.8M +55.6MM -0]
1300130353	1R4006A20A120	12.0" +.75" -0 [0.3M +19.1MM -0]
1300130361	1R4006A20F060	6.0' +2.19" -0 [1.8M +55.6MM -0]
1300130493	1R5006A20A120	12.0" +.75" -0 [0.3M +19.1MM -0]
1300130503	1R5006A20F060	6.0' +2.19" -0 [1.8M +55.6MM -0]
1300130593	1R6006A20A120	12.0" +.75" -0 [0.3M +19.1MM -0]
1300130605	1R6006A20F060	6.0' +2.19" -0 [1.8M +55.6MM -0]

POLE COUNT	MAX. VOLTAGE RATING	MAX. CURRENT RATING
2 POLE	600 VOLTS	13 AMPS
3 POLE	600 VOLTS	13 AMPS
4 POLE	600 VOLTS	10 AMPS
5 POLE	600 VOLTS	8 AMPS
6 POLE	600 VOLTS	8 AMPS

<b>ENTER DESCRIPTION</b> EC NO: MNA2010-0057 DRAWN BY: DRWINAKUMAR01 2009/07/31 CHKD: APPR: JFMURPHY 2009/08/10 REV: A	QUALITY SYMBOLS ▽=0 ▽=0	GENERAL TOLERANCES (UNLESS SPECIFIED)		DIMENSION STYLE IN/MM		SCALE 2:1	DESIGN UNITS INCH	THIRD ANGLE PROJECTION		
		4 PLACES ± --- ± ---	3 PLACES ± --- ± ---	2 PLACES ± --- ± ---	1 PLACE ± --- ± ---	DRAWN BY: NKUMAR01 DATE: 31/07/09	CHECKED BY: BWOODMAN DATE: 31/07/09		TITLE MC 2P MR 12IN. 16/1 PVC	
		ANGULAR ±1/2°				APPROVED BY: JFMURPHY DATE: 31/07/09	MOLEX INCORPORATED			
		DRAFT WHERE APPLICABLE MUST REMAIN WITHIN DIMENSIONS				MATERIAL NO. 9999999999	DOCUMENT NO. SD-130013-076		SHEET NO. 2 OF 2	

FACE VIEW - MALE INSERT



- 1 WHITE  
2 BLACK
- 1 GREEN/YELLOW  
2 BLACK  
3 WHITE
- 1 BLACK  
2 WHITE  
3 RED  
4 GREEN/YELLOW
- 1 WHITE  
2 RED  
3 GREEN/YELLOW  
4 ORANGE  
5 BLACK  
6 BLACK
- 1 WHITE  
2 RED  
3 GREEN/YELLOW  
4 ORANGE  
5 BLACK  
6 BLUE

PART NUMBER LEGEND

1R3006A20F020

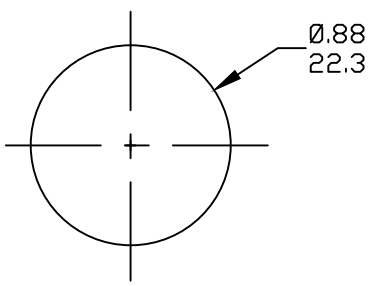
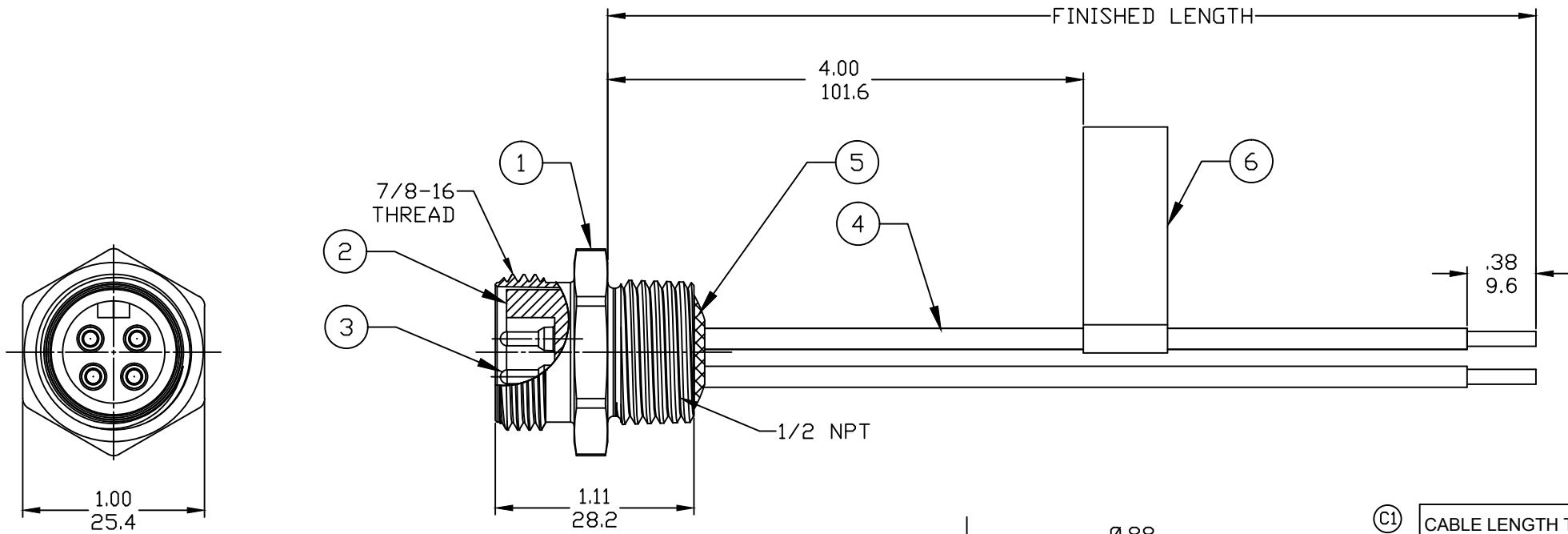
POLES 2-6

FINISHED LENGTH:  
A120= 12 IN.  
F020= 2 FEET  
F100= 10 FEET

M005= 0.5 METER  
M010= 1 METER  
M100= 10 METER

PART NO.	ENGINEERING NO.	FINISHED LENGTH
1300130076	1R2006A20A120	12 IN
1300130223	1R3006A20M010	1.0M
1300130224	1R3006A20M020	2.0M

- NOTES:
- MATERIAL: AS NOTED
  - FINISH: AS NOTED
  - ELECTRICAL:  
VOLTAGE: 2 THRU 6P 600V PER UL 2238  
3P 500V PER IEC 60664  
4P 483V PER IEC 60664 (C1)  
5 & 6P 400V PER IEC 60664
  - CURRENT: 2 & 3 POLE: 13A  
4 POLE: 10A  
5 & 6 POLE: 8A
  - TEMP RATING: -20°TO +105°C
  - PROTECTION: IP67 (WHEN MATED)
  - (C1) 6. UL LISTED, FILE: E258922 FOR 3 & 4 POLE  
UL RECOGNIZED, FILE: E152210 FOR 2, 5, & 6 POLE
  - ALL DIMS ARE FOR REFERENCE UNLESS OTHERWISE NOTED



(C1) CABLE LENGTH TOLERANCES

>.3M [1FT]:	+19mm-0 [+1.75in-0]
.3 - .9M [1 - 3FT]:	+44.5mm-0 [+1.75in-0]
.9 - 1.8M [3 - 6FT]:	+55.6mm-0 [+2.19in-0]
1.8 - 3.7M [6 - 12FT]:	+88.9mm-0 [+3.50in-0]
3.7 - 7.3M [12 - 24FT]:	+165.1mm-0 [+6.50in-0]
7.3-14.6M [24 - 48FT]:	+317.5mm-0 [+12.50in-0]
14.6 - 30.5M [48-100FT]:	+622.3mm-0 [+24.50in-0]
OVER 30M [100FT]	+2% OF FINISHED LENGTH

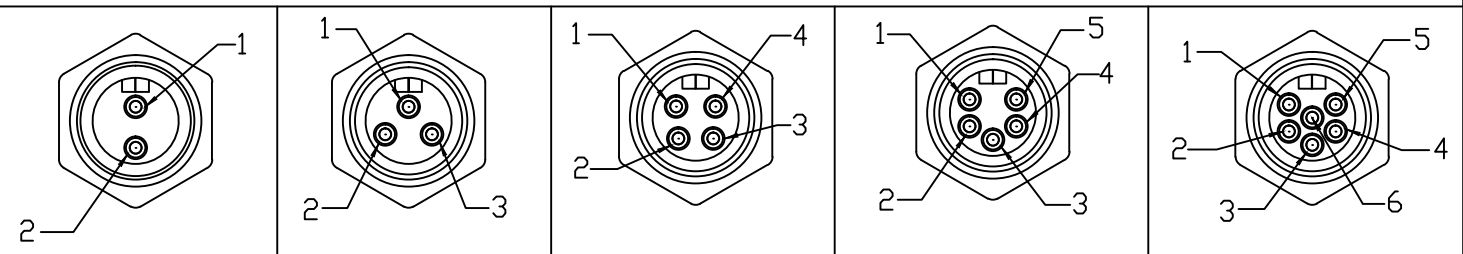
ITEM	COMPONENT	MATERIAL	FINISH
6	LABEL	VINYL	BLACK/YELLOW
5	POTTING	EPOXY	
4	WIRE, 16 AWG, UL 1015	PVC INSUL.	SEE FACE VIEW
3	CONTACT PIN	Cu ALLOY	GOLD PLATED
2	INSERT	PVC	YELLOW
1	RECEPTACLE SHELL	ZINC DIE-CAST	BLACK E-COAT

REV EC NO: IPG2017-0940 DRWN: RSTONE CHKD: K COX APPR: BWOODMAN 4/10/18 2017/04/28 2016/08/19	DIMENSION STYLE IN/MM	SCALE ---	DESIGN UNITS INCH	THIRD ANGLE PROJECTION
	DIMENSION TOLERANCES (UNLESS SPECIFIED)	DRAWN BY RSTONE	DATE 2016/08/01	TITLE MINI CHANGE RECEPTACLE MALE 2 TO 6P 16 AWG
	SYMBOLS ▽=0 ◻=0	CHECKED BY K COX	DATE 2017/04/28	
	DRAFT WHERE APPLICABLE MUST REMAIN WITHIN DIMENSIONS	APPROVED BY TWOLDEGE	DATE 2016/08/19	MATERIAL NO. -
REV C1	SIZE B	THIS DRAWING CONTAINS INFORMATION THAT IS PROPRIETARY TO MOLEX INCORPORATED AND SHOULD NOT BE USED WITHOUT WRITTEN PERMISSION		



SHEET NO.  
1 OF 1

FACE VIEW - MALE INSERT



- 1 WHITE  
2 BLACK
- 1 GREEN/YELLOW  
2 BLACK  
3 WHITE
- 1 BLACK  
2 WHITE  
3 RED  
4 GREEN/YELLOW
- 1 WHITE  
2 RED  
3 GREEN/YELLOW  
4 ORANGE  
5 BLACK  
6 BLACK
- 1 WHITE  
2 RED  
3 GREEN/YELLOW  
4 ORANGE  
5 BLACK  
6 BLUE

PART NUMBER LEGEND

1R3006A20F020

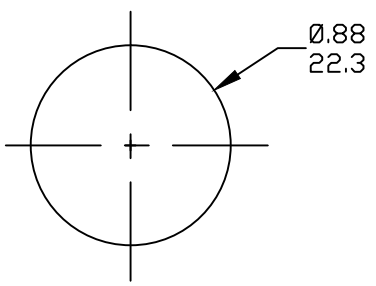
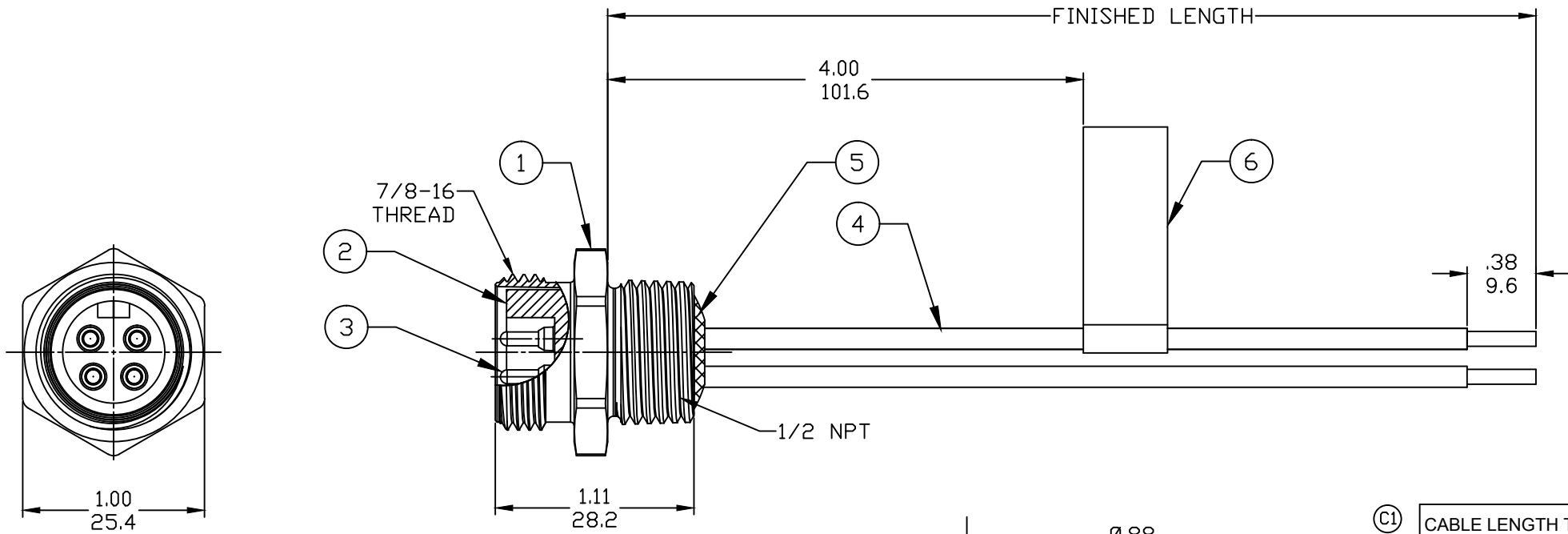
POLES 2-6

FINISHED LENGTH:  
A120= 12 IN.  
F020= 2 FEET  
F100= 10 FEET

M005= 0.5 METER  
M010= 1 METER  
M100= 10 METER

PART NO.	ENGINEERING NO.	FINISHED LENGTH
1300130076	1R2006A20A120	12 IN
1300130223	1R3006A20M010	1.0M
1300130224	1R3006A20M020	2.0M

- NOTES:
- MATERIAL: AS NOTED
  - FINISH: AS NOTED
  - ELECTRICAL:  
VOLTAGE: 2 THRU 6P 600V PER UL 2238  
3P 500V PER IEC 60664  
4P 483V PER IEC 60664 (C1)  
5 & 6P 400V PER IEC 60664
  - CURRENT: 2 & 3 POLE: 13A  
4 POLE: 10A  
5 & 6 POLE: 8A
  - TEMP RATING: -20°TO +105°C
  - PROTECTION: IP67 (WHEN MATED)
  - (C1) 6. UL LISTED, FILE: E258922 FOR 3 & 4 POLE  
UL RECOGNIZED, FILE: E152210 FOR 2, 5, & 6 POLE
  - ALL DIMS ARE FOR REFERENCE UNLESS OTHERWISE NOTED



(C1) CABLE LENGTH TOLERANCES

>.3M [1FT]:	+19mm-0 [+1.75in-0]
.3 - .9M [1 - 3FT]:	+44.5mm-0 [+1.75in-0]
.9 - 1.8M [3 - 6FT]:	+55.6mm-0 [+2.19in-0]
1.8 - 3.7M [6 - 12FT]:	+88.9mm-0 [+3.50in-0]
3.7 - 7.3M [12 - 24FT]:	+165.1mm-0 [+6.50in-0]
7.3-14.6M [24 - 48FT]:	+317.5mm-0 [+12.50in-0]
14.6 - 30.5M [48-100FT]:	+622.3mm-0 [+24.50in-0]
OVER 30M [100FT]	+2% OF FINISHED LENGTH

ITEM	COMPONENT	MATERIAL	FINISH
6	LABEL	VINYL	BLACK/YELLOW
5	POTTING	EPOXY	
4	WIRE, 16 AWG, UL 1015	PVC INSUL.	SEE FACE VIEW
3	CONTACT PIN	Cu ALLOY	GOLD PLATED
2	INSERT	PVC	YELLOW
1	RECEPTACLE SHELL	ZINC DIE-CAST	BLACK E-COAT

REV EC NO: IPG2017-0940 DRWN: RSTONE CHKD: K COX APPR: BWOODMAN 4/10/18 2017/04/28 2016/08/19	DESCRIPTION KNOCKOUT HOLE	DIMENSION STYLE IN/MM	SCALE ---	DESIGN UNITS INCH	THIRD ANGLE PROJECTION	
		DIMENSIONS (UNLESS SPECIFIED)	DRAWN BY RSTONE	DATE 2016/08/01		TITLE MINI CHANGE RECEPTACLE MALE 2 TO 6P 16 AWG
		SYMBOLS ▽=0 ◻=0	CHECKED BY K COX	DATE 2017/04/28		
		DRAFT WHERE APPLICABLE MUST REMAIN WITHIN DIMENSIONS	APPROVED BY TWOLDEGE	DATE 2016/08/19		MATERIAL NO. -

THIS DRAWING CONTAINS INFORMATION THAT IS PROPRIETARY TO MOLEX INCORPORATED AND SHOULD NOT BE USED WITHOUT WRITTEN PERMISSION