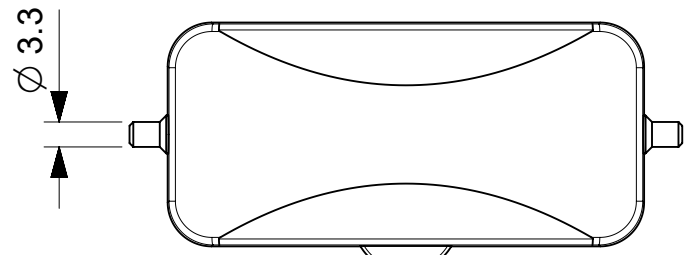
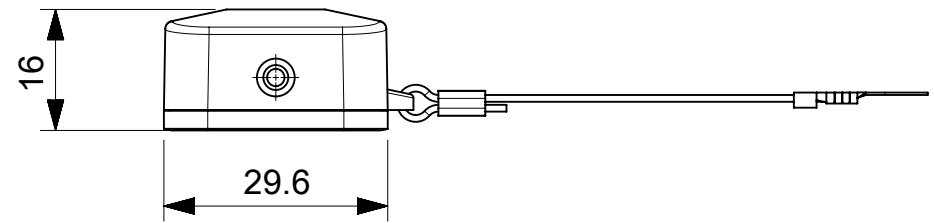
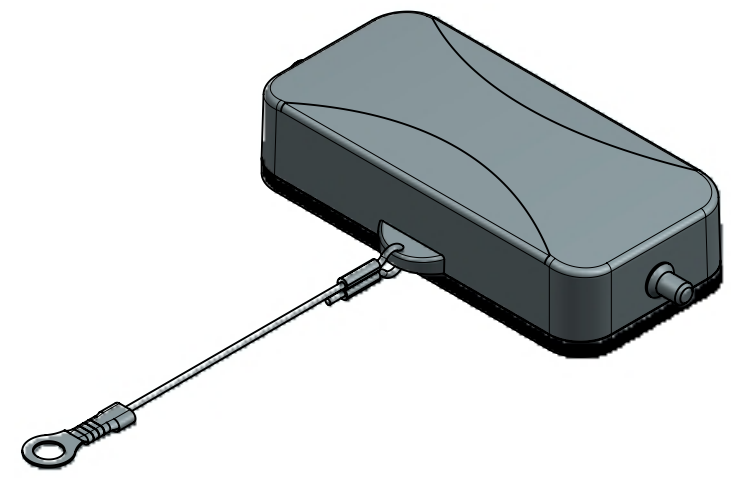
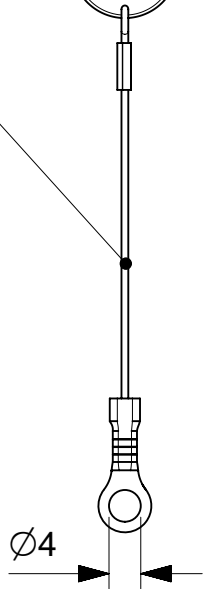


GASKET



FIXING CORD



SYMBOLS										THIS DRAWING CONTAINS INFORMATION THAT IS PROPRIETARY TO MOLEX ELECTRONIC TECHNOLOGIES, LLC AND SHOULD NOT BE USED WITHOUT WRITTEN PERMISSION																													
DIMENSION UNITS					SCALE					CURRENT REV DESC:																													
mm					1:1					EC NO: 174767 DRWN: AKHEMIRI 2018/04/09 CHK'D: AMELZI 2018/04/09 APPR: AMELZI 2018/04/09 INITIAL REVISION: DRWN: DMERONI 2018/03/05 APPR: AMELZI 2018/04/09																													
GENERAL TOLERANCES (UNLESS SPECIFIED)																																							
ANGULAR TOL ± °																																							
4 PLACES ±																																							
3 PLACES ±																																							
2 PLACES ±										DOCUMENT NUMBER					DOC TYPE					DOC PART					REVISION														
1 PLACE ±										936011239					PSD					000					A														
0 PLACES ±										MATERIAL NUMBER					CUSTOMER					SHEET NUMBER																			
DRAFT WHERE APPLICABLE MUST REMAIN WITHIN DIMENSIONS					FIRST ANGLE PROJECTION					DRAWING					SERIES					93601					936011239					GENERAL MARKET					1 OF 1				

DOCUMENT STATUS	P1	RELEASE DATE	2018/04/09	15:23:37
-----------------	----	--------------	------------	----------